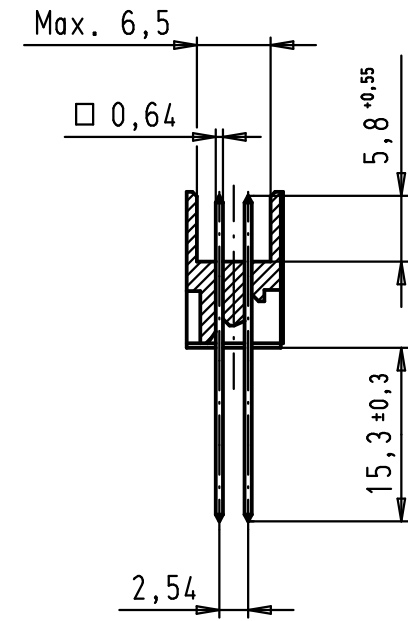
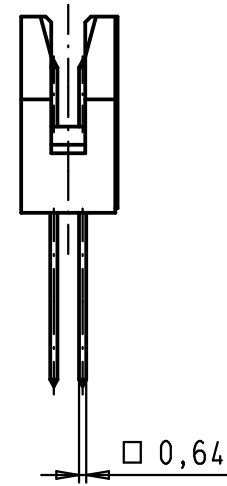
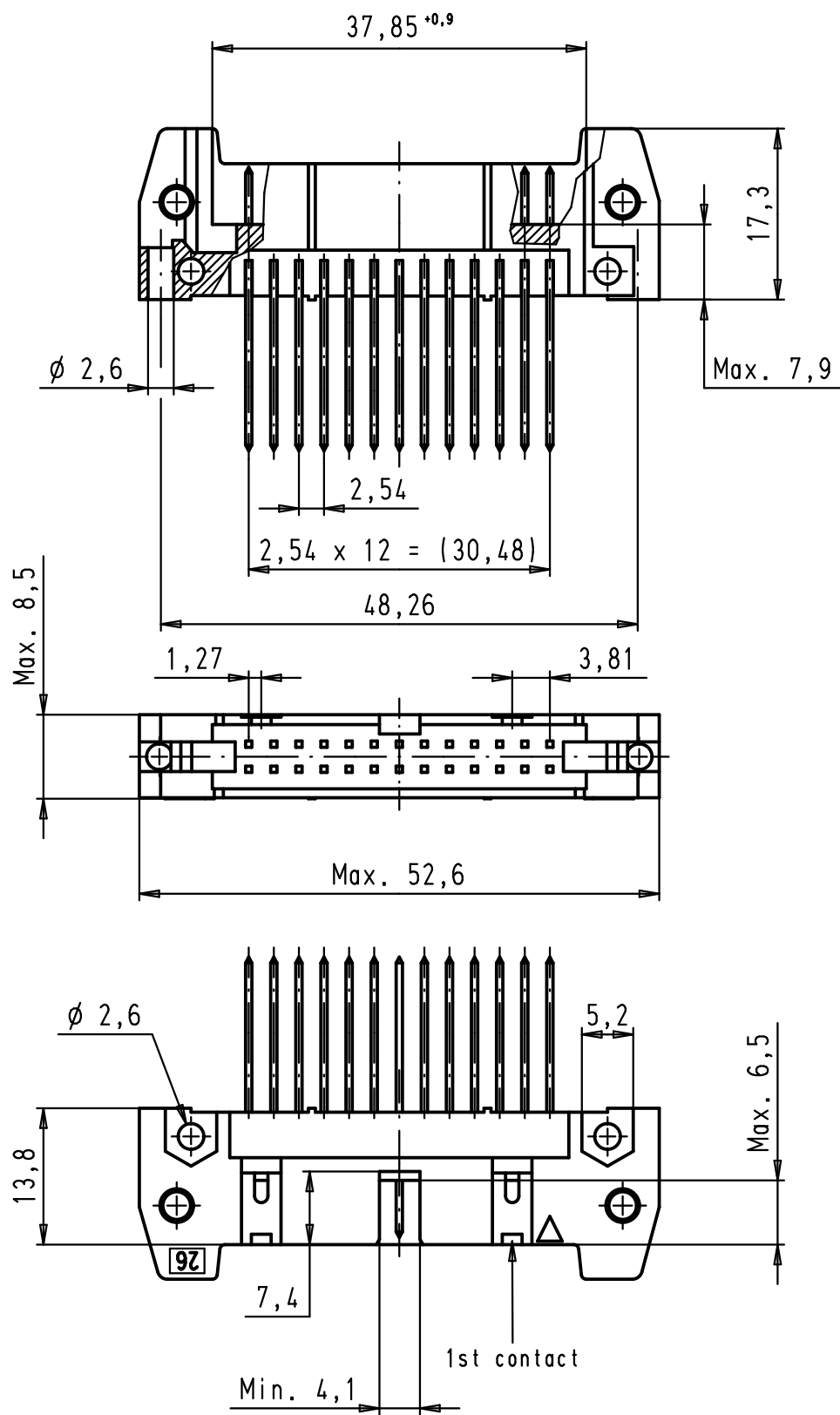
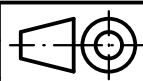



Alle Rechte vorbehalten/ All rights reserved



| | |
|----------------|-----------------------|
| 09 18 526 7927 | 3 |
| 09 18 526 6927 | 2 |
| 09 18 526 5927 | 0,76 $\mu\text{m Au}$ |
| Part number | Performance level |

| | | | | | | | | |
|-------|----------|----|--------------|----------|--|---|---|-------------------|
| | | | | Det. | Name |  All Dim. in mm Orig. Size DIN A 3 | SEK 18 Male Connector Standard 26 poles Straight wrap posts without locking levers | Moßstab/ Scale |
| | | | Detail. | 19/09/02 | CV | | | 1,5:1 |
| | | | Insp. | | | | | |
| | | | | Stand. | | | | |
| 34883 | 12/02/08 | SH | HARTING EURL | |  F-95972 Paris | TB 09 18 526 X927 | Blatt/ Page | |
| 31092 | 19/09/02 | CV | Mod. | Det. | | | Name | 1 / 1 |
| | | | | | | Sub. | | |