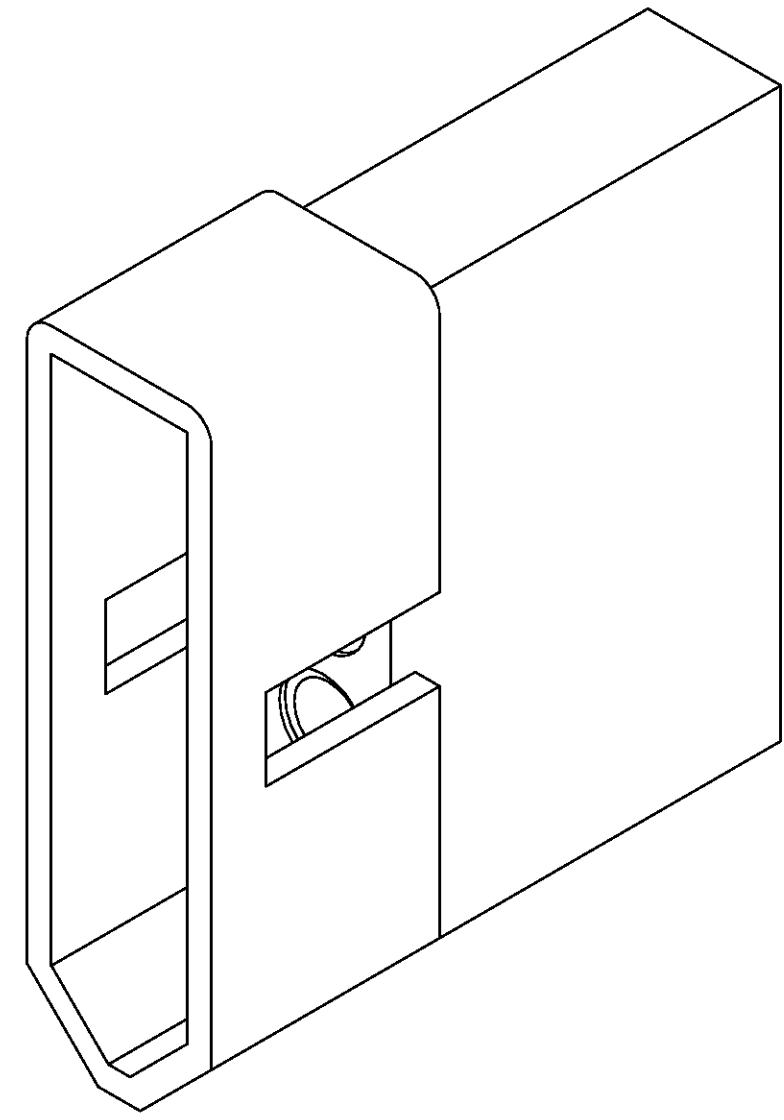
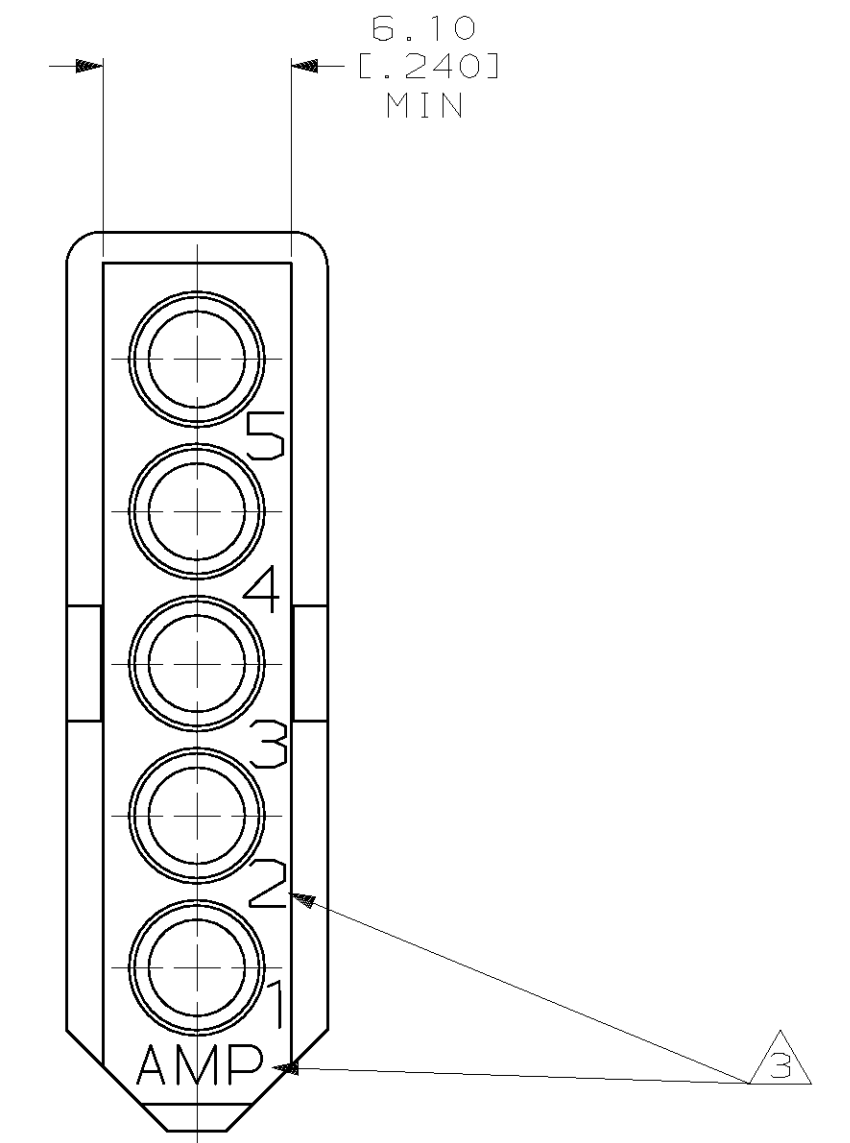
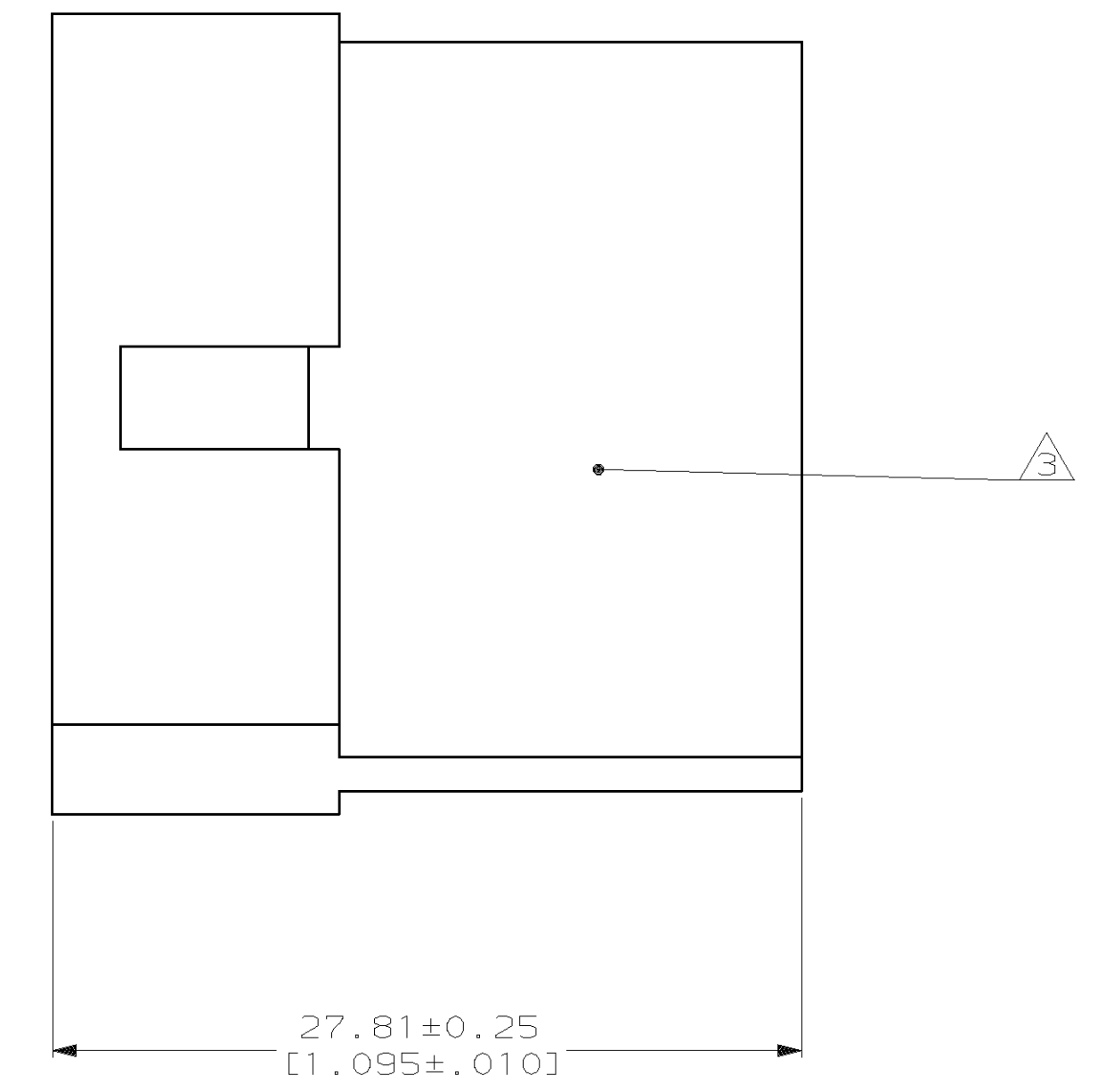
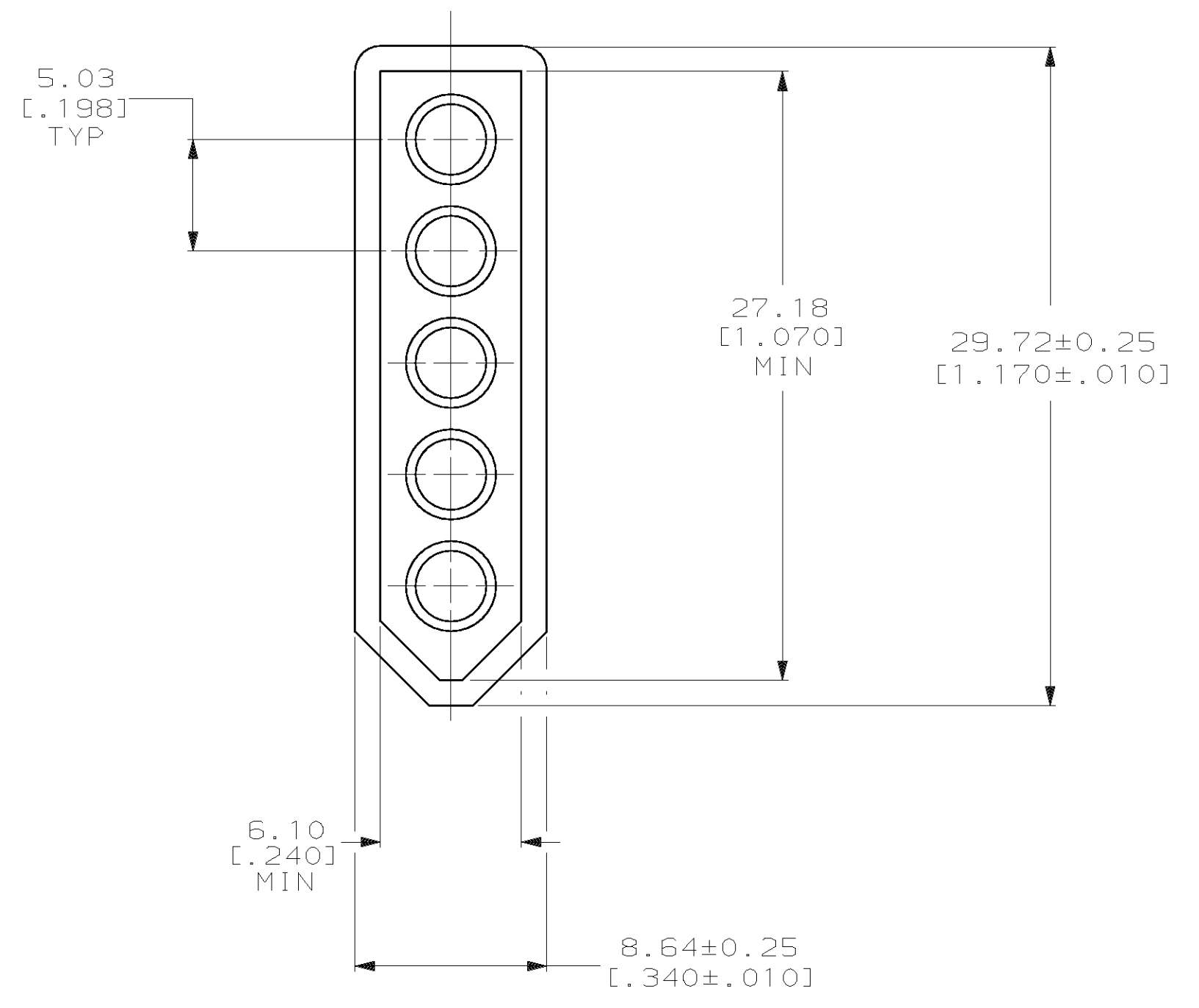


LOC		DIST		P		F		ZONE		LTR		REVISIONS		DATE	APPD
CM	53											H	REV PER EC 0L30-0025-97	3-4-97	JH RS

- 1 AMP LOGO AND CIRCUIT I.D. LOCATED APPROX. AS SHOWN.
- 2 DIMENSIONS IN BRACKETS ARE IN INCHES.
- 3 MARKING FOR UL LOGO AND CSA LOGO LOCATED APPROX. AS SHOWN.



3-DIMENSIONAL MODEL
NTS

METRIC

DO NOT SCALE PRINT. UNLESS SPECIFIED DIMENSIONS IN mm [INCHES] TOLERANCES ON: 2 PLC DEC ± 0.13 [.005] 3 PLC DEC ± - ANGLES ± -		DR 1-27-94 K. SALMON	AMP Incorporated Harrisburg, PA 17105-3608		
MATERIAL NYLON, UL 94V-2 NATURAL		CHK 1-27-94 R. SWING			
FINISH -		APPD 1-31-94 C. CASH	NAME PLUG, 5 CIRCUIT, COMMERCIAL PIN AND SOCKET		
APPLICATION SPEC -		APPD 1-31-94 C. CASH	SIZE D 00779	CAGE CODE 00779	DRAWING NO 770084
WEIGHT -		PRODUCT SPEC -	SCALE 4:1	SHEET 1 OF 1	

770084-1
PART NO