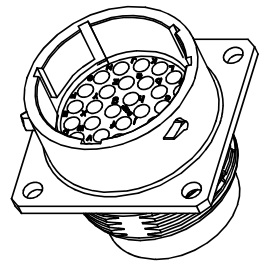
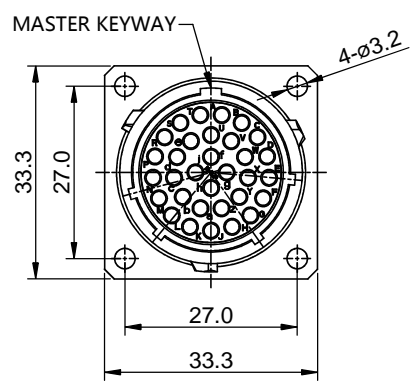
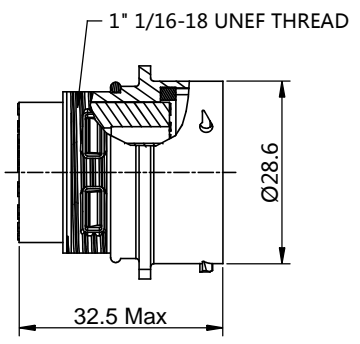
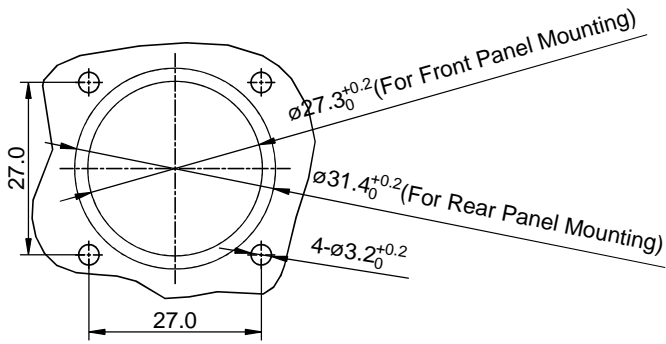


REVISIONS					
REV	ECO	DESCRIPTION	DATE	BY	APPR
B1	-	RELEASED DRAWING	JUN-26-2014	BEN	TOMMY



**NOTES : (UNLESS OTHERWISE SPECIFIED)**

1. MATERIAL :
  - SHELL : ZINC ALLOY , NICKEL PLATED.
  - INSERT : THERMOPLASTIC , UL94 V-0.
  - SEAL GASKET : NBR.
  - O-RING : NBR.
2. SPECIFICATIONS :
  - 2.1 RATED CURRENT :
    - 2.1.1 STAMPED CONTACT : 5A (MAX) .
    - 2.1.2 MACHINED CONTACT : 7.5A (MAX) .
  - 2.2 RATED VOLTAGE : 150V ( AC/DC ) .
  - 2.3 OPERATING TEMPERATURE : -40°C ~ +105°C.
  - 2.4 DIELECTRIC WITHSTANDING VOLTAGE : LESS THAN 2 MILLIAMPS CURRENT LEAKAGE@1500 VOLTS AC.
  - 2.5 INSULATION RESISTANCE : 5000 MEGOHMS MIN.
  - 2.6 IP--CLASS : IP67.
  - 2.7 MATING CYCLES DURABILITY : 500 CYCLES(MIN).
  - 2.8 ROHS COMPLIANT.
3. SUITABLE CONTACTS : 20# CONTACTS.
4. ALL DIMENSIONS ARE FOR REFERENCE USE ONLY.



KEY POS	PART NUMBER
N	RT0W01832PNH
W	RT0W01832PWH
X	RT0W01832PXH
Y	RT0W01832PYH
Z	RT0W01832PZH

PANEL CUT OUT REFERENCE

SEE PART NUMBER CHART																	
QUANTITY	PART NUMBER	DESCRIPTION	ITEM														
<b>MATERIALS LIST</b>																	
<small>UNLESS OTHERWISE SPECIFIED</small> 1) All dimensions are in metric(mm). 2) Tolerances are as follows: 1 PL DEC ±0.30    Fractions ±1/64 2 PL DEC ±0.15    Angles ±1° 3 PL DEC ±0.08		<table border="1"> <tr> <th>SIGNATURES</th> <th>DATE</th> </tr> <tr> <td>DRAWN: BEN</td> <td>JUN-26-2014</td> </tr> <tr> <td>CHECKED:</td> <td></td> </tr> <tr> <td>ENGINEER:</td> <td></td> </tr> <tr> <td>APPROVAL:</td> <td></td> </tr> </table>		SIGNATURES	DATE	DRAWN: BEN	JUN-26-2014	CHECKED:		ENGINEER:		APPROVAL:					
SIGNATURES	DATE																
DRAWN: BEN	JUN-26-2014																
CHECKED:																	
ENGINEER:																	
APPROVAL:																	
MATERIAL SPECIFICATIONS:		<h2 style="margin: 0;">Amphenol</h2> <p style="margin: 0;">Sine Systems - www.amphenol-sine.com 44724 Morley Drive Clinton Township, MI 48036</p>															
PROCESS SPECIFICATIONS:		<p>ECO-MATE, RECEPTACLE, SIZE 18,32POS,PIN.</p>															
NEXT ASSY:		<table border="1"> <tr> <th>SIZE</th> <th>TYPE</th> <th>DWG NO.</th> <th>REVISION</th> </tr> <tr> <td>B</td> <td>C-</td> <td>RT0W01832P*H</td> <td>B1</td> </tr> </table>	SIZE	TYPE	DWG NO.	REVISION	B	C-	RT0W01832P*H	B1	<table border="1"> <tr> <th>SCALE</th> <th>SHEET</th> <th>OF</th> </tr> <tr> <td>NONE</td> <td>1</td> <td>1</td> </tr> </table>	SCALE	SHEET	OF	NONE	1	1
SIZE	TYPE	DWG NO.	REVISION														
B	C-	RT0W01832P*H	B1														
SCALE	SHEET	OF															
NONE	1	1															

TITLE: ECO-MATE, RECEPTACLE, SIZE 18,32POS,PIN  
 DWG NO.: RT0W01832P\*H  
 REV: B1  
 SH: 1  
 OF: 1