

1 2 3 4 5 6 7

A

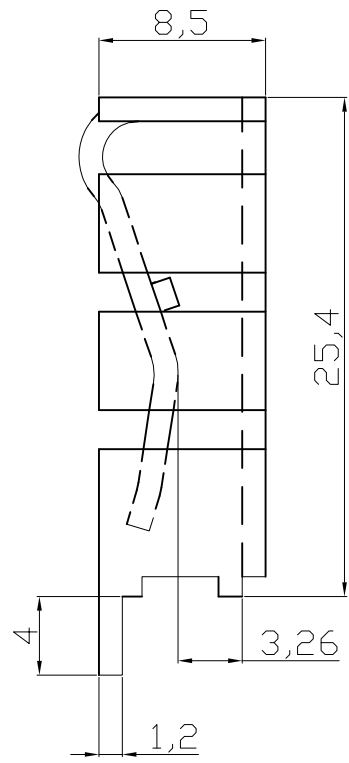
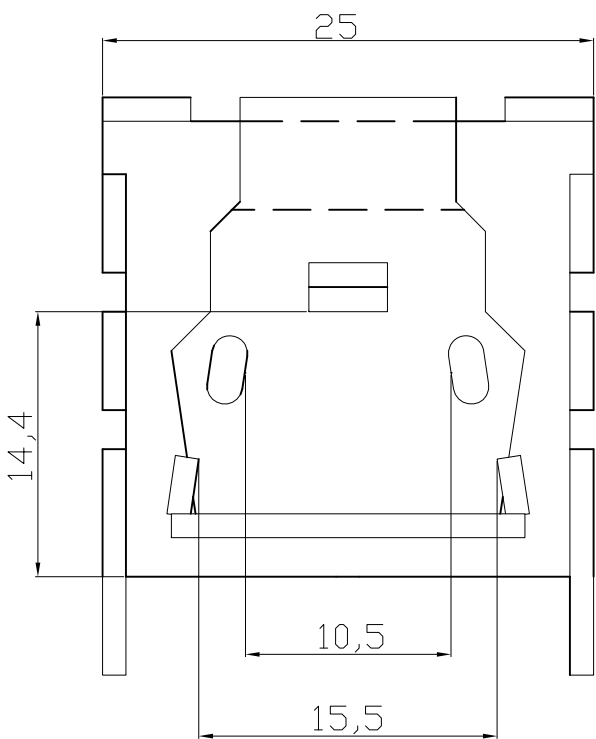
B

C

D

E

F



Material :AL 1050 T=1.2mm
 Finished :
 V8510B-T: Black anodized
 V8510SN-T: Tin plated

RoHS compliant
 Unit: mm

Scale	FREE						Date	Name	Customer-No.
TOLERANCE						Drawn	21.02.2013	Amy	ASSMANN WSW-No. V8510x-T
						Approved	21.02.2013	Amy	
UNIT	±0,25								Drawing-No.
DIM	TOL								ASS 2081 HS
		©	Drawn	21.02.2013	Amy	ASSMANN WSW components			rev00
		Id.	Modification	Date	Name			Replace	Sheet

G

H

1 2 3 4 5 6 7 KT1710