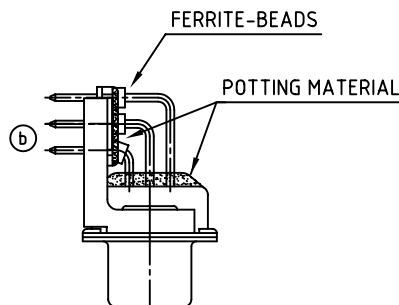
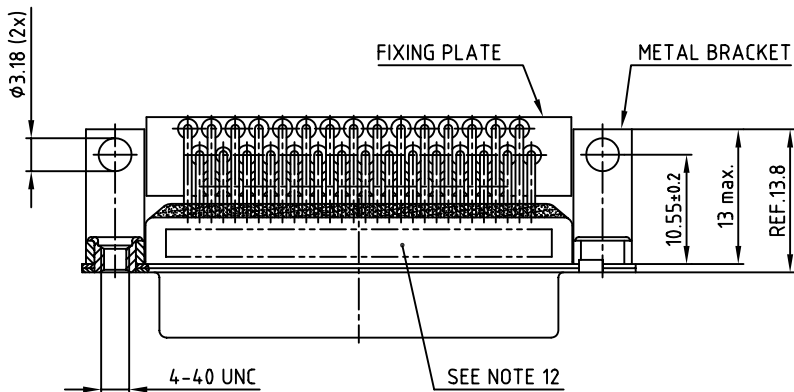
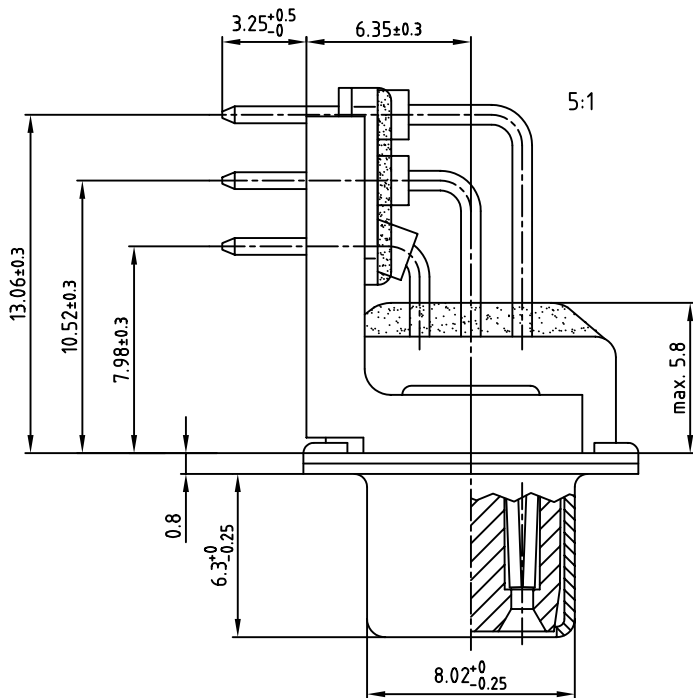
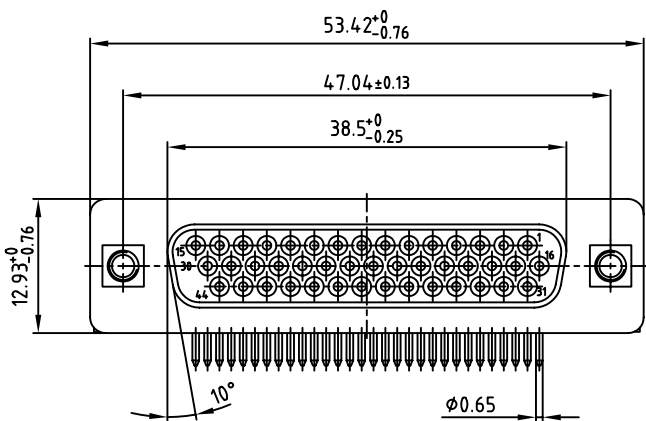
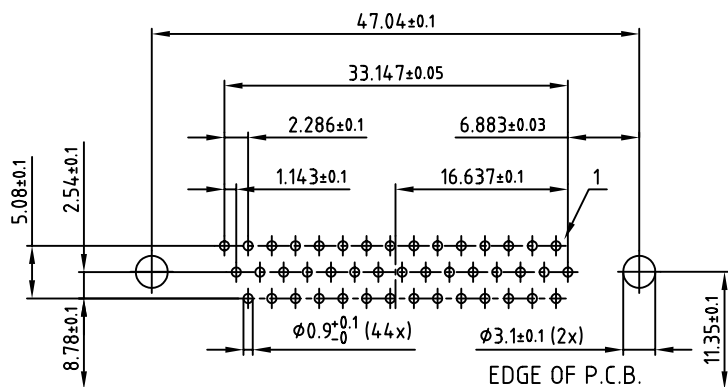


used for: D-SUB FILTER HD

CAPACITANCE 180pF ±20%	CAPACITANCE 370pF ±20%	CAPACITANCE 830pF ±20%
242A26600X	242A25640X	242A25680X



P.C.B. HOLE PATTERN



NOTES: (b)

1. RoHS COMPLIANT
2. SUABLE FOR WAVE SOLDERING
3. METALSHELLS: STEEL; min. 315µm TIN over 40-80µm NICKEL
4. INSULATORS: HIGH TEMPERATURE PLASTIC UL 94 V-0, BLACK
5. CONTACTS: COPPER ALLOY  
PLATING: 8µm HARD GOLD OVER min. 50µm NICKEL
6. METAL BRACKET: STEEL; min. 320µm TIN over 80µm NICKEL
7. THREADED INSERT: COPPER ALLOY; min. 200µm TIN over 80µm NICKEL
8. FIXING-PLATE: PBT GF UL 94 V-0, BLACK
9. CAPACITANCE: SEE TABLE
10. DIELECTRIC WITHSTANDING VOLTAGE: 300 VDC
11. MAXIMUM TORQUE VALUE FOR THREAD: 6in.LB
12. CONNECTOR IS PART MARKED: PART-NÖ. CONEC ABC



APPROVAL # FREIGABE # DEBLOCAGE # AUTORIZACION # APPROVAL	
CUSTOMER APPROVAL DATE:	
NAME:	TITLE:
COMPANY NAME:	
APPROVAL # FREIGABE # DEBLOCAGE # AUTORIZACION # APPROVAL	

THIS DRAWING MAY NOT BE COPIED OR REPRODUCED IN ANY WAY, AND MAY NOT BE PASSED ON TO A THIRD PARTY, WITHOUT WRITTEN PERMISSION. OWNERSHIP AND COPYRIGHT OF CONEC Gmbh. DO NOT ALTER CAD DRAWING BY HAND

2 x b	Ä2933	25.02.2008	Sonne
a	Origin		
rev.	description	date	name

tolerance		dim. in mm
scale:	2:1 (5:1)	
material:	SEE NOTES	
title:	D-SUB HD FILTER FEMALE 90° 44pos. 0.350inch with metal bracket and threaded insert	
dwg no:	AutoCAD 2004	DIN-A
	24K1A604	3
part no:	SEE TABLE	
		sh: 1/1

