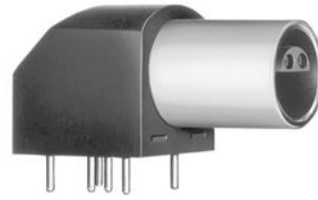


## SUMMARY

### # Wires

Low	0
High	0
Coax	1
Triax	0
Quad	0
Fiber	0
Fluidic	0



*Image is for illustrative purpose only*

### Download

[Request a quote](#)

[Catalog](#)

Series	0S
Termination type	
IP rating	50
Cable Ø	0.00 - 0.00 mm
Matching parts	FFA.0S.250.CLAC17
Status	
Alternative part	

## TECHNICAL DETAILS

### Mechanics

Shell Style/Model	EPL*: Elbow receptacle for printed circuit
Keying	Circular (can rotate), plug has male contact(s)
Housing Material	Brass (chrome plated) shell and collet nut, nickel plated brass latch sleeve and mid pieces
Cable Fixing	∅ 0 - 0 mm
Variant	

### Performance

Configuration	0S.250 : 1 Coax (50 Ohm)
Insulator	T: PTFE
Rated Current	6 Amps

### Specifications

Contact Type:	Coaxial 50 Ohm (PCB)
Max. Matings:	1000
Contact Dia.:	0.9 mm (0.04in)
Bucket Dia.:	1 mm (0.04in)
Test Voltage(kV rms)	1.2
Cable type:	RG 178 B/U, RG 196 A/U, RG 188 A/U, RG 316 B/U, RG 174 A/U, HF-2114, RG 122 /U

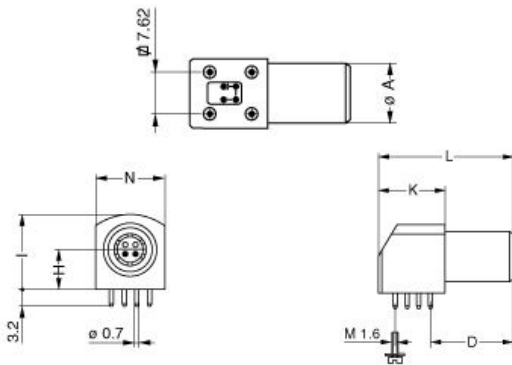
## Others

Endurance (Shell): 5000 mating cycles  
Temp (min / max): -55 °C / +250 °C  
Humidity (max): ≤95% [at 60 deg C / 140 F]  
Vibration: 15 g [10 Hz - 2000 Hz]  
Shock Resistance: 100 g [ 6 ms]  
Salt Spray Corrosion: >1000 hr  
Climatical Category: 50/175/21  
Shielding (min): 75 dB (10 MHz)  
Shielding (min): 40 dB (1 GHz)  
IP Rating: 50

---

## DRAWINGS

### Draws



### Dimensions

	A	H	L	d
mm.	8.8	13	23.6	5.08
in.	0,35	0,51	0,93	0,20

---

## RECOMMENDED BY LEMO

### Tools

None

### Cables