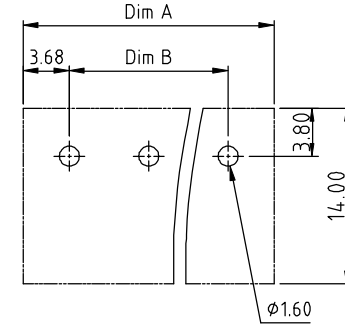
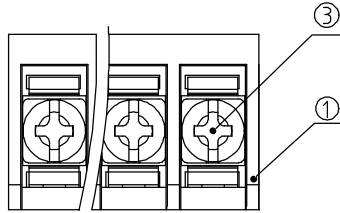
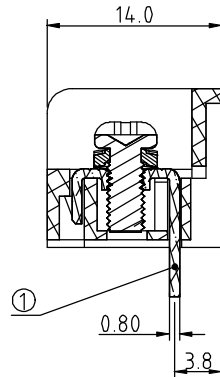
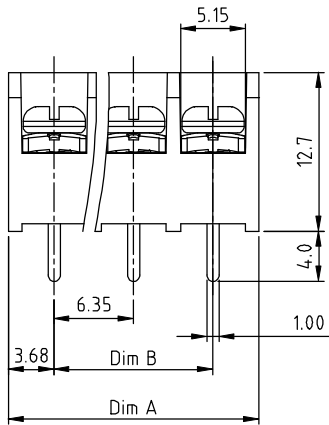


PRODUCT NUMBER	PITCH
YK221xx0x0J0G	6.35 mm



RECOMMENDED P.C.B LAYOUT  
TOP VIEW



MATERIALS & ELECTRICAL  
 RATED VOLTAGE & CURRENT: cULus 250 V, 10 A / CQC 250 V, 9 A  
 WITHSTAND VOLTAGE: AC 2000 V/Min  
 INSULATION RESISTANCE: 1000 M $\Omega$  OR MORE AT DC 500 V  
 OPERATING TEMPERATURE RANG: -40 °C ~ +115 °C  
 SCREW TORQUE VALUE: 5.3 Lb-In.  
 WIRE RANGE: 22 - 18 AWG  
 1) HOUSING: Thermoplastic, UL 94 V-0 BLACK  
 2) TERMINAL: BRASS, 0.8t  
 3) TERMINAL SCREWS: STEEL, M3

APPROVAL:

A

A

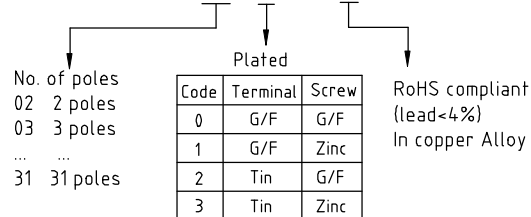
DIMENSION

Dim A	N $\times$ 6.35 $\pm$ 1.0
Dim B	(N-1) $\times$ 6.35

N=Number of poles

Poles	Tolerance
2p-5p	$\pm$ 0.20
6p-10p	$\pm$ 0.25
11p-16p	$\pm$ 0.35
17p-24p	$\pm$ 0.40
25p-31p	$\pm$ 0.50

PART NO.: YK 221xx 0 x 0 JOG



mat'l. code		surface ASME Y14.5		tolerance ASME Y14.5		projection 		product family TERMINAL BLOCK	
ltr	ecn no	dr	date	tolerances unless otherwise specified		MM		title TERMINAL BLOCK	
				angles	X. $\pm$ 0.5	scale		BARRIER TYPE	
				X' $\pm$ 1"	X.X $\pm$ 0.3	FCI		dwg no YK221xx0x0J0G	
					X.XX $\pm$ 0.1	sheet 1 of 1		size A4	
		dr	EVAN LU	061614		sheet		type CUSTOMER Drawing	
		enr	EVAN LU	061614		sheet			
		chr	HANKE FENG	061614		sheet			
		appd	SHI JUN	061614		sheet			
sheet index	revision sheet	A	1			sheet			

B

B