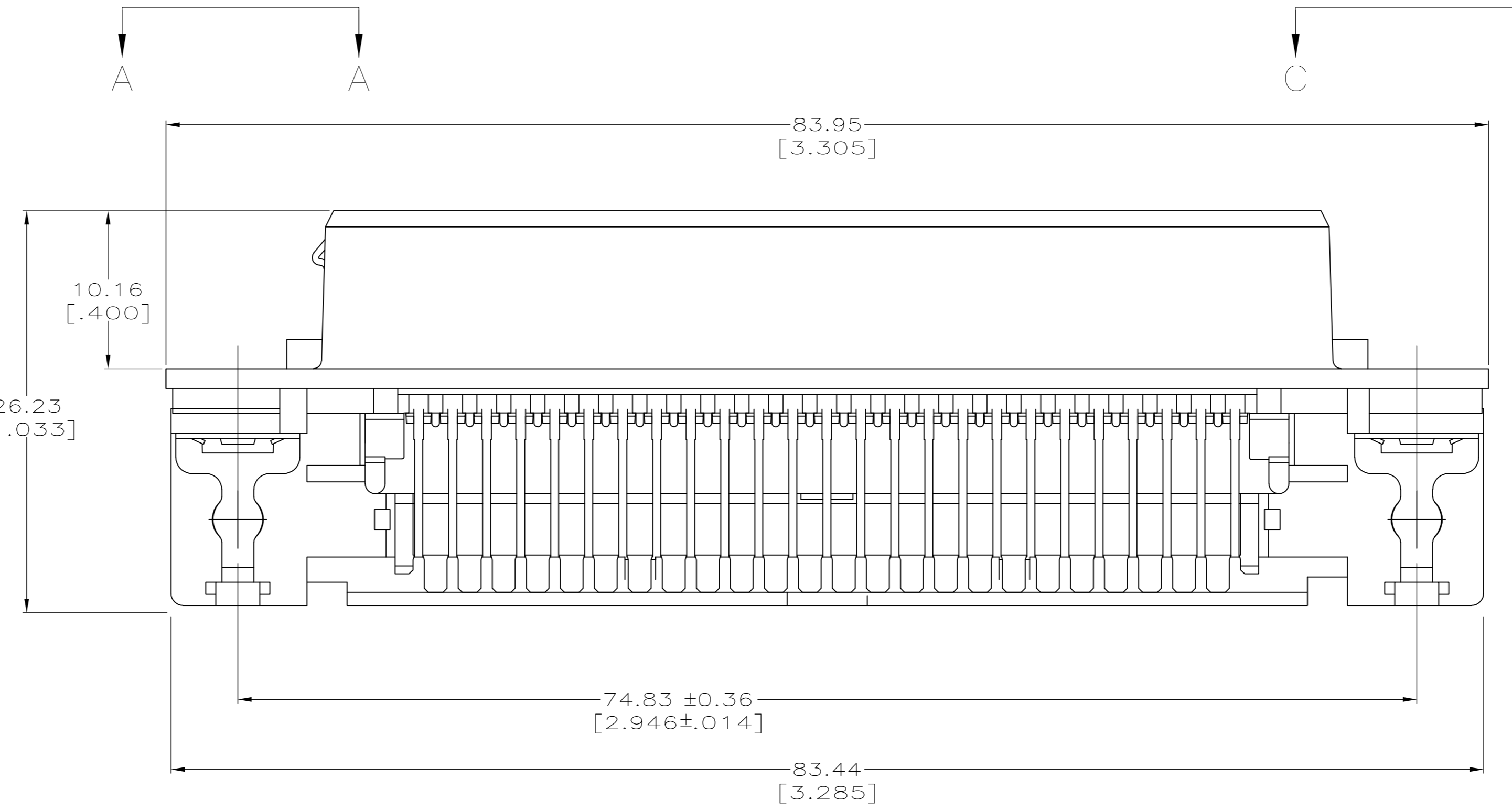
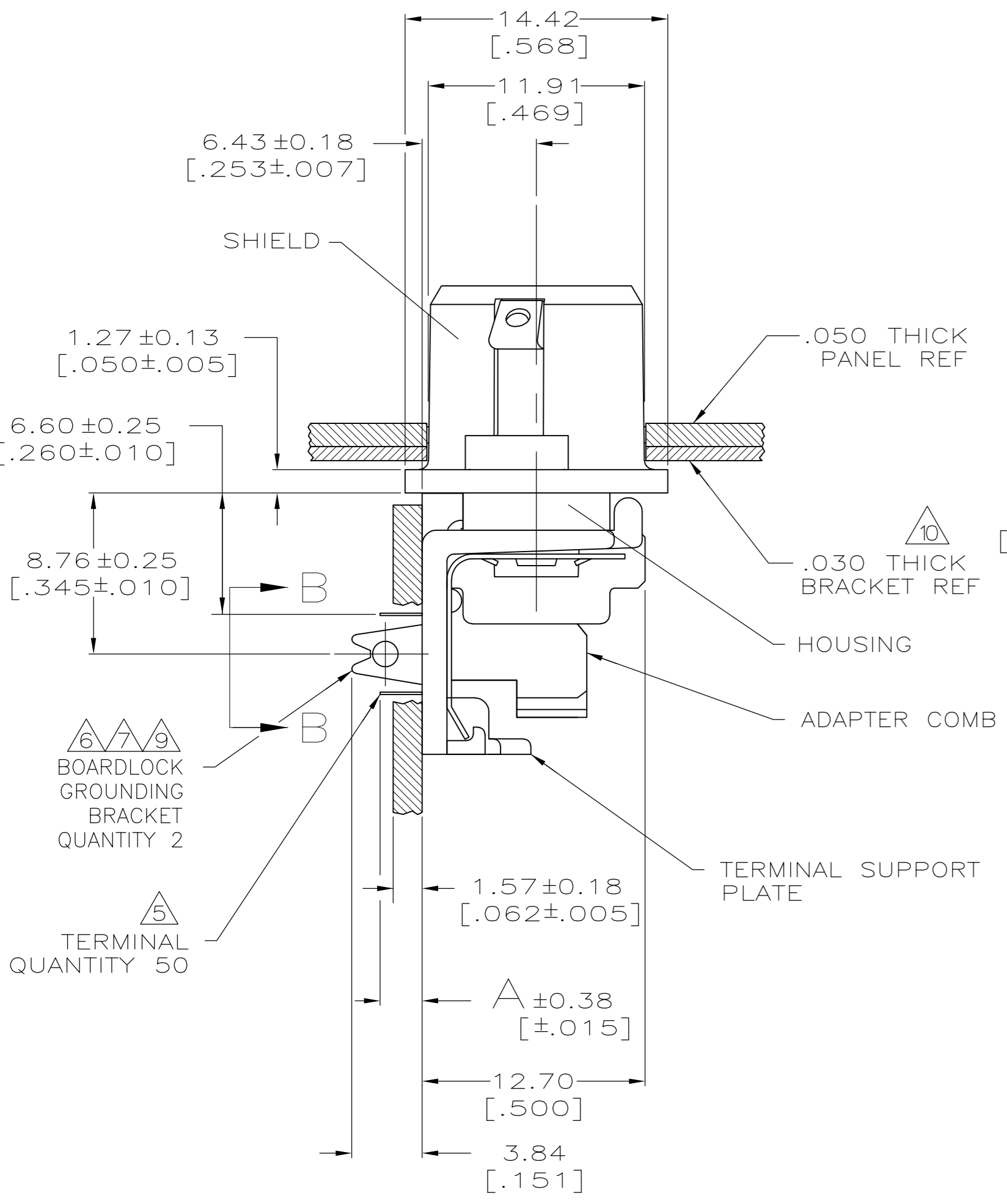


- 1 MATERIAL:
HOUSING, ADAPTER COMB & SUPPORT PLATE - POLYESTER, BLACK. TERMINALS - HIGH STRENGTH COPPER ALLOY PLATED WITH EITHER 0.76µm [.000030] MIN GOLD PLATE OR GOLD FLASH OVER PALLADIUM NICKEL PLATE, 0.76µm [.000030] MIN TOTAL ON MATING SURFACE. 3.05µm [.000120] MIN TIN PLATE ON TAILS. ALL OVER 1.27µm [.000050] MIN NICKEL UNDERPLATE OVER ENTIRE TERMINAL.
SHIELD - BRIGHT NICKEL OVER COPPER PLATED ZINC.
BOARDLOCK GROUND BRACKET - TIN PLATED CARBON STEEL.
- 2. THE CONTACT SURFACES OF THE TERMINALS ARE COATED WITH LUBRICANT.
- 3. CENTER-TO-CENTER SPACING OF TERMINALS IS 2.16 [.085] NOMINAL.
- 4 ALL DIMENSIONS SHOWN ARE MAXIMUM UNLESS OTHERWISE SPECIFIED.
- 5 TERMINAL 1 LOCATED IN THIS ROW FOR STANDARD ORIENTATION, SEE VIEW A-A.
- 6 BOARDLOCK GROUNDING BRACKET RETAINS CONNECTOR IN 1.58 [.062] THICK PC BOARD WITHOUT ADDITIONAL HARDWARE.
- 7 BOARDLOCK GROUNDING BRACKET LOCATES CONNECTOR FLUSH WITH TOP OF PC BOARD AND SPRING LOCKS BENEATH.
- 8 CYLINDRICAL SHAPE OFFERS 180° OF SOLDERING SURFACE.
- 9 SURFACE AREA OF BOARDLOCK GROUNDING BRACKET BELOW PC BOARD SHALL PASS SOLDERABILITY REQUIREMENTS IN ACCORDANCE WITH AMP SPEC 109-11-2. DISCOLORATION, SCRATCHES, SPOTS AND OTHER COSMETIC DEFICIENCIES TYPICAL OF BARREL PLATING PROCESSES ARE ACCEPTABLE PROVIDING PARTS PASS 24 HOUR EXPOSURE AT 95% RH AT 40°C WITHOUT EVIDENCE OF CORROSION.
- 10 OPTIONAL BRACKET SUPPLIED BY CUSTOMER.
- 11 TERMINAL 1 LOCATED IN THIS ROW FOR REVERSE ORIENTATION, SEE VIEW C-C.
- 12 OBSOLETE PARTS: OBSOLETE CIS STREAMLINING PER D.RENAUD/D.SINISI

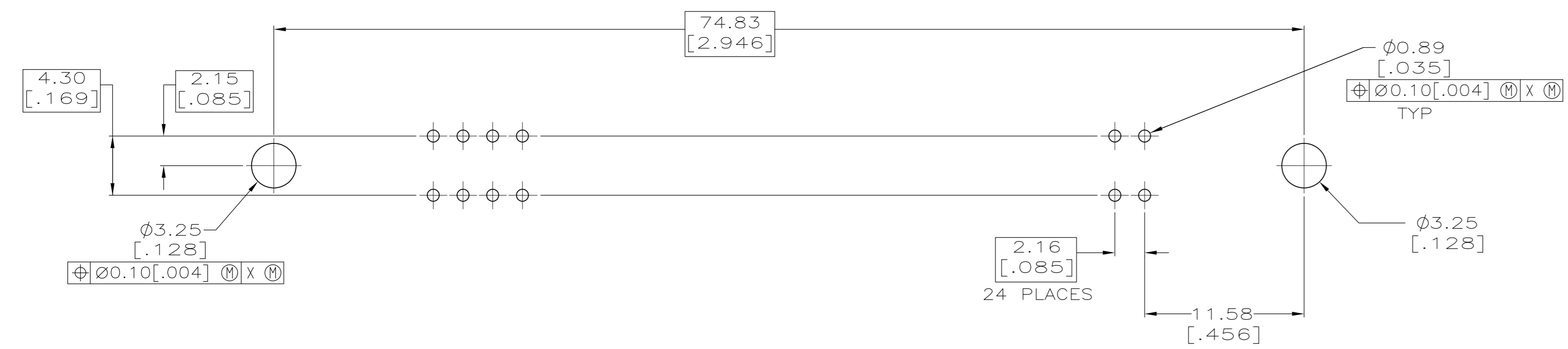
SUGGESTED BRACKET CUTOUT
MOUNTING DIMENSIONS
SCALE 2:1

VIEW A-A

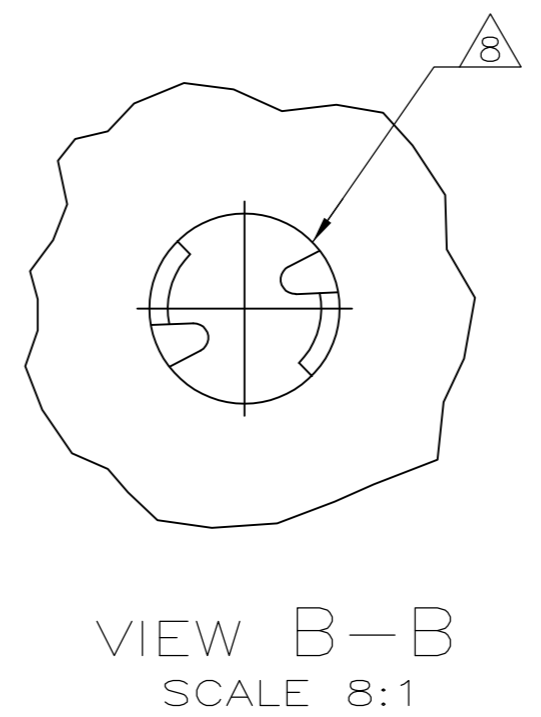
VIEW C-C



6339447-1 AS SHOWN



SUGGESTED PRINTED CIRCUIT BOARD
MOUNTING DIMENSIONS



| | | | |
|--------------|------------|--------------------|-------------|
| 3.175 [.125] | NONE | STANDARD, VIEW A-A | 1-6339447-0 |
| 3.175 [.125] | 1-26 | REVERSE, VIEW C-C | 6339447-9 |
| 2.29 [.090] | NONE | REVERSE, VIEW C-C | 6339447-8 |
| 2.29 [.090] | NONE | STANDARD, VIEW A-A | 6339447-7 |
| 2.29 [.090] | 25-50 | REVERSE, VIEW C-C | 6339447-6 |
| 2.29 [.090] | 25-50 | STANDARD, VIEW A-A | 6339447-5 |
| 2.29 [.090] | 1-26/25-50 | REVERSE, VIEW C-C | 6339447-4 |
| 2.29 [.090] | 1-26/25-50 | STANDARD, VIEW A-A | 6339447-3 |
| 2.29 [.090] | 1-26 | REVERSE, VIEW C-C | 6339447-2 |
| 2.29 [.090] | 1-26 | STANDARD, VIEW A-A | 6339447-1 |
| DIM "A" | | LATCH END | ORIENTATION |
| | | | PART NUMBER |

THIS DRAWING IS A CONTROLLED DOCUMENT.

| | | | | |
|----------------------------|--|--|-----------------------------|--|
| DIMENSIONS: mm [INCHES] | TOLERANCES UNLESS OTHERWISE SPECIFIED: 0. PLC ± - 1. PLC ± - 2. PLC ± - 3. PLC ± - 4. PLC ± - ANGLES ± - | APPROVED: D.L. DRUMMOND W. MILLHIMES W. MILLHIMES | DATE: 01SEP05 01SEP05 | NAME: RECEPTACLE ASSEMBLY, LOW PROFILE, SHIELDED, RIGHT ANGLE, 50 POSITION, BOARD LOCK, INTEGRAL LOCKING LATCH, CHAMP |
| MATERIAL | FINISH | SIZE | CAGE CODE | DRAWING NO |
| | | A1 | 00779 | 6339447 |

CUSTOMER DRAWING SCALE 4:1 SHEET 1 OF 1 REV C4