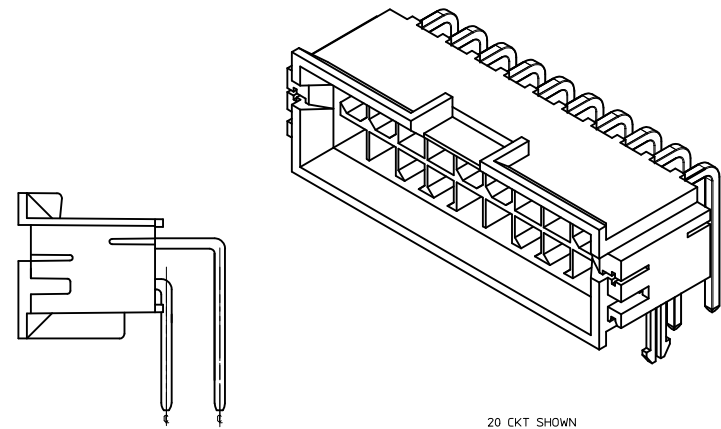


PCB LAYOUT: COMPONENT SIDE
 RECOMMENDED PCB THICKNESS: 6.35±0.18 ±.250±.007

NOTES

- 1) MATERIALS
 HOUSING: NYLON 4/6 UL 94V-0 GLASS FILLED, COLOR: BLACK
 TERMINAL: BRASS
 BOARD RETENTION CLIP: BRASS
 - 2) FINISHES:
 TERMINAL:
 1.=(0.00254)/.000100 MIN. BRIGHT TIN OVER
 (0.00127)/.000050 MIN. NICKEL
 2.=(0.00076)/.000030 MIN. SELECT GOLD AND
 (0.00254)/.000100 MIN. SELECT MATTE TIN
 OVER (0.00127)/.000050 MIN. NICKEL OVERALL
 MOUNTING CLIP:
 (0.00254)/.000100 MIN. MATTE TIN OVER
 (0.00127)/.000050 MIN. NICKEL
 - 3) PRODUCT SPECIFICATION: PS-43810-001
 - 4) PACKAGING SPECIFICATION: PK-43810-001
 - 5) PART MATES WITH MOLEX RECEPTACLE #5557 AND #42474 AND #42385 HEADER
 - 6) PART ALLOWS FOR (1.27)/.050 MAX MIS-ALIGNMENT WITH MATING HOUSINGS IN ANY DIRECTION
 - 7) CONNECTOR ASSEMBLIES ARE NOT TO BE MATED AND UNMATED WHILE CIRCUITS ARE LIVE
 - 8) PARTS ARE NOT DESIGNED FOR CURRENT SHARING
 - 9) DISCOLORATION IN THE BANDOLIER CARRIER AREA OF THE PIN IS INHERENT TO THE PLATING PROCESS AND IS DUE TO THE MASKING EFFECT OF THE CARRIER. THIS DISCOLORATION IS IN A NON-FUNCTIONAL AREA OF THE PIN AND WILL NOT AFFECT THE PERFORMANCE OF THE HEADER ASSEMBLY.
 - 10) PART CONFORMS TO CLASS 'B' REQUIREMENTS OF COSMETIC SPECIFICATION PS-45499-002
- ▲ FORMING MARKS ARE ACCEPTABLE



20 CKT SHOWN

HEADER ASSEMBLY WITH NO CLIP OPTION

CHANGE PLATING EC NO. UCP2012-1560 DRAWING NO. 2012/01/70 CHYD:JRELL APPR:FSMITH REV. DESCRIPTION	QUALITY SYMBOLS	GENERAL TOLERANCES (UNLESS SPECIFIED)	DIMENSION STYLE	SCALE	DESIGN UNITS	THIRD ANGLE PROJECTION
	▽=0	mm INCH	MM/IN	4:1	METRIC	☉
	▽=0	4 PLACES ± --- ± ---	DRAWN BY	DATE	TITLE	
	▽=0	3 PLACES ± --- ±.010	MANLAPZ	01-06-97	MINI-FIT JR BMI RIGHT ANGLE HEADER ASM FOR 6.35/250 THK. PCB	
		2 PLACES ± 0.25 ±.014	CHECKED BY	DATE		
		1 PLACE ± 0.35 ± ---	BANDURA	03-26-97		
		ANGULAR ±1/2°	APPROVED BY	DATE		
			FSMITH	2012/01/19		
		DRAFT WHERE APPLICABLE MUST REMAIN WITHIN DIMENSIONS	MATERIAL NO.	DOCUMENT NO.		
			SEE CHART	SD-43810-071		
			SIZE D			
			THIS DRAWING CONTAINS INFORMATION THAT IS PROPRIETARY TO MOLEX INCORPORATED AND SHOULD NOT BE USED WITHOUT WRITTEN PERMISSION			

	20	19	18	17	16	15	14	13	12	11	10	9	8	7	6	5	4	3	2	1
	MATERIAL NO.	CIRCUIT SIZE	CLIP OPTION	DIM. 'A'	DIM. 'B'	DIM. 'C'	FINISH	MATERIAL NO.	CIRCUIT SIZE	CLIP OPTION	DIM. 'A'	DIM. 'B'	DIM. 'C'	FINISH						
M	43810-0353	4	YES	18.81 -740	4.20 -165	16.60 -653	1	43810-0375	4	NO	18.81 -740	4.20 -165	16.60 -653	1						
	43810-0354	6	YES	23.01 -906	8.40 -331	20.80 -819	1	43810-0376	6	NO	23.01 -906	8.40 -331	20.80 -819	1						
N	43810-0355	8	YES	27.21 -1071	12.60 -496	25.00 -984	1	43810-0377	8	NO	27.21 -1071	12.60 -496	25.00 -984	1						
L	43810-0356	10	YES	31.41 -1237	16.80 -661	29.20 -1150	1	43810-0378	10	NO	31.41 -1237	16.80 -661	29.20 -1150	1						
N	43810-0357	12	YES	35.61 -1402	21.00 -828	33.40 -1315	1	43810-0379	12	NO	35.61 -1402	21.00 -828	33.40 -1315	1						
	43810-0358	14	YES	39.81 -1567	25.20 -992	37.60 -1480	1	43810-0380	14	NO	39.81 -1567	25.20 -992	37.60 -1480	1						
N	43810-0359	16	YES	44.01 -1733	29.40 -1157	41.80 -1646	1	43810-0381	16	NO	44.01 -1733	29.40 -1157	41.80 -1646	1						
K	43810-0360	18	YES	48.21 -1898	33.60 -1323	46.00 -1811	1	43810-0382	18	NO	48.21 -1898	33.60 -1323	46.00 -1811	1						
N	43810-0361	20	YES	52.41 -2063	37.80 -1488	50.20 -1976	1	43810-0383	20	NO	52.41 -2063	37.80 -1488	50.20 -1976	1						
J	43810-0362	22	YES	56.61 -2229	42.00 -1654	54.40 -2142	1	43810-0384	22	NO	56.61 -2229	42.00 -1654	54.40 -2142	1						
	43810-0363	24	YES	60.81 -2394	46.20 -1819	58.60 -2307	1	43810-0385	24	NO	60.81 -2394	46.20 -1819	58.60 -2307	1						
	43810-0364	4	YES	18.81 -740	4.20 -165	16.60 -653	2	43810-0386	4	NO	18.81 -740	4.20 -165	16.60 -653	2						
I	43810-0365	6	YES	23.01 -906	8.40 -331	20.80 -819	2	43810-0387	6	NO	23.01 -906	8.40 -331	20.80 -819	2						
N	43810-0366	8	YES	27.21 -1071	12.60 -496	25.00 -984	2	43810-0388	8	NO	27.21 -1071	12.60 -496	25.00 -984	2						
	43810-0367	10	YES	31.41 -1237	16.80 -661	29.20 -1150	2	43810-0389	10	NO	31.41 -1237	16.80 -661	29.20 -1150	2						
N	43810-0368	12	YES	35.61 -1402	21.00 -828	33.40 -1315	2	43810-0390	12	NO	35.61 -1402	21.00 -828	33.40 -1315	2						
H	43810-0369	14	YES	39.81 -1567	25.20 -992	37.60 -1480	2	43810-0391	14	NO	39.81 -1567	25.20 -992	37.60 -1480	2						
N	43810-0370	16	YES	44.01 -1733	29.40 -1157	41.80 -1646	2	43810-0392	16	NO	44.01 -1733	29.40 -1157	41.80 -1646	2						
	43810-0371	18	YES	48.21 -1898	33.60 -1323	46.00 -1811	2	43810-0393	18	NO	48.21 -1898	33.60 -1323	46.00 -1811	2						
G	43810-0372	20	YES	52.41 -2063	37.80 -1488	50.20 -1976	2	43810-0394	20	NO	52.41 -2063	37.80 -1488	50.20 -1976	2						
N	43810-0373	22	YES	56.61 -2229	42.00 -1654	54.40 -2142	2	43810-0395	22	NO	56.61 -2229	42.00 -1654	54.40 -2142	2						
	43810-0374	24	YES	60.81 -2394	46.20 -1819	58.60 -2307	2	43810-0396	24	NO	60.81 -2394	46.20 -1819	58.60 -2307	2						

N = NOT TOOLED

N = NOT TOOLED

SEE SHEET 1 IEC NO. UCP2012-1560 DRAWING: 2012/01/20 CHKD: BELL APPR: FSMITH REV: DESCRIPTION	QUALITY SYMBOLS ▽=0 ▽=0 ▽=0		GENERAL TOLERANCES (UNLESS SPECIFIED) <table border="1"> <tr> <th></th> <th>mm</th> <th>INCH</th> </tr> <tr> <td>4 PLACES</td> <td>± .010</td> <td>± .0004</td> </tr> <tr> <td>3 PLACES</td> <td>± .015</td> <td>± .0006</td> </tr> <tr> <td>2 PLACES</td> <td>± 0.25</td> <td>± .010</td> </tr> <tr> <td>1 PLACE</td> <td>± 0.35</td> <td>± .014</td> </tr> </table>			mm	INCH	4 PLACES	± .010	± .0004	3 PLACES	± .015	± .0006	2 PLACES	± 0.25	± .010	1 PLACE	± 0.35	± .014	DIMENSION STYLE MM/IN		SCALE 1:1		DESIGN UNITS METRIC		THIRD ANGLE PROJECTION	
		mm	INCH																								
	4 PLACES	± .010	± .0004																								
	3 PLACES	± .015	± .0006																								
2 PLACES	± 0.25	± .010																									
1 PLACE	± 0.35	± .014																									
DRAFT WHERE APPLICABLE MUST REMAIN WITHIN DIMENSIONS			SEE CHART		MATERIAL NO. SD-43810-071		DOCUMENT NO. 2 OF 2		TITLE MINI-FIT JR BMI RIGHT ANGLE HEADER ASM FOR 6.35/250 THK. PCB																		
APPROVED BY DATE: 2012/01/19			APPROVED BY DATE: 2012/01/19		MOLEX INCORPORATED		APPROVED BY DATE: 2012/01/19		APPROVED BY DATE: 2012/01/19																		
THIS DRAWING CONTAINS INFORMATION THAT IS PROPRIETARY TO MOLEX INCORPORATED AND SHOULD NOT BE USED WITHOUT WRITTEN PERMISSION																											