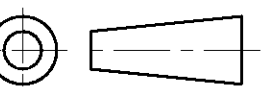


DO NOT SCALE

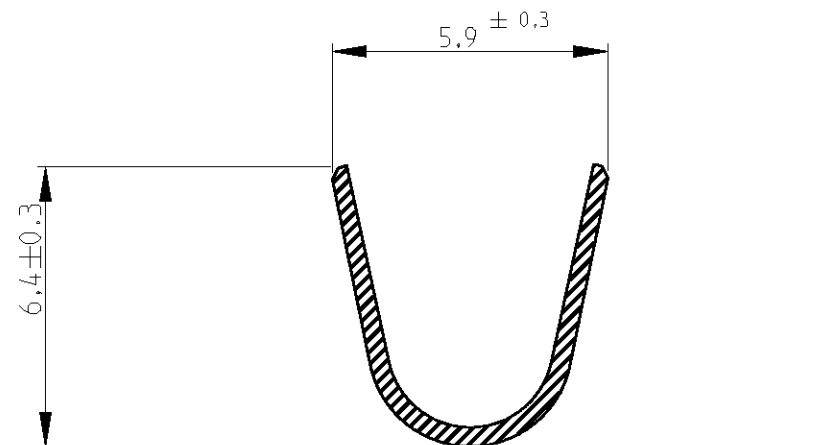
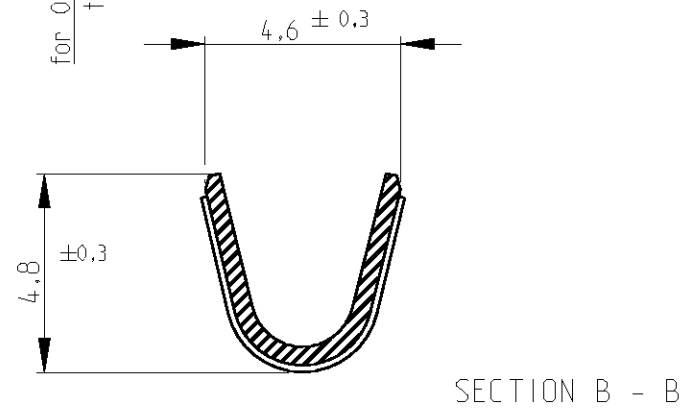
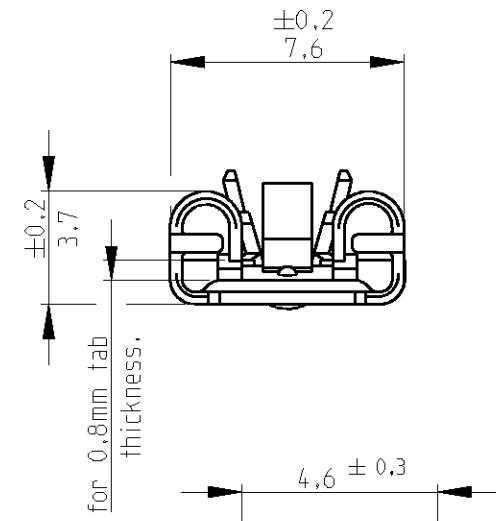
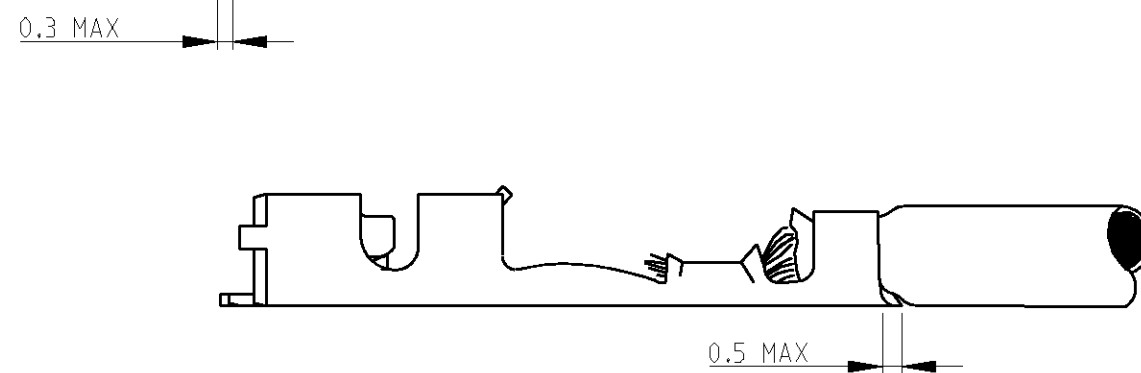
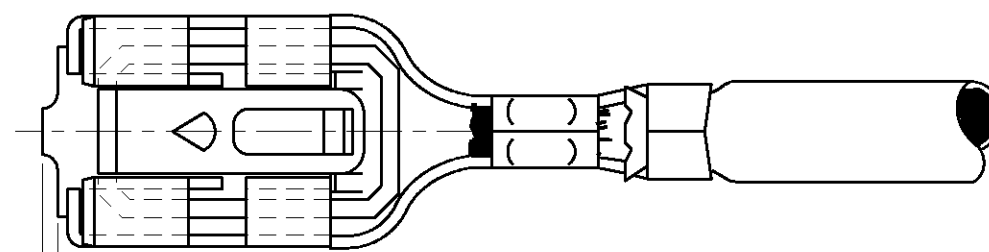
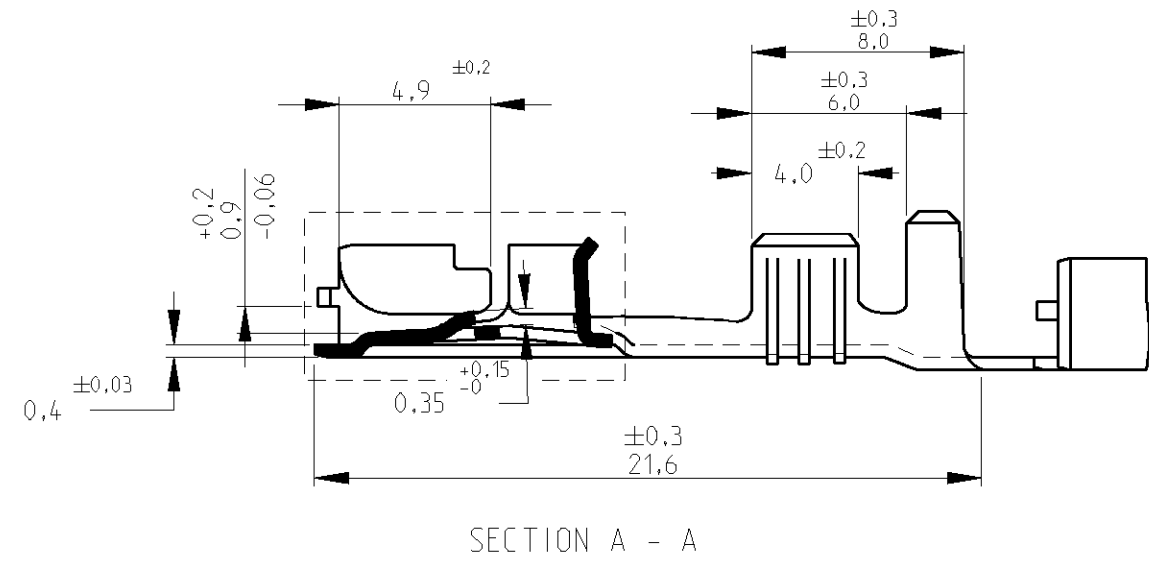
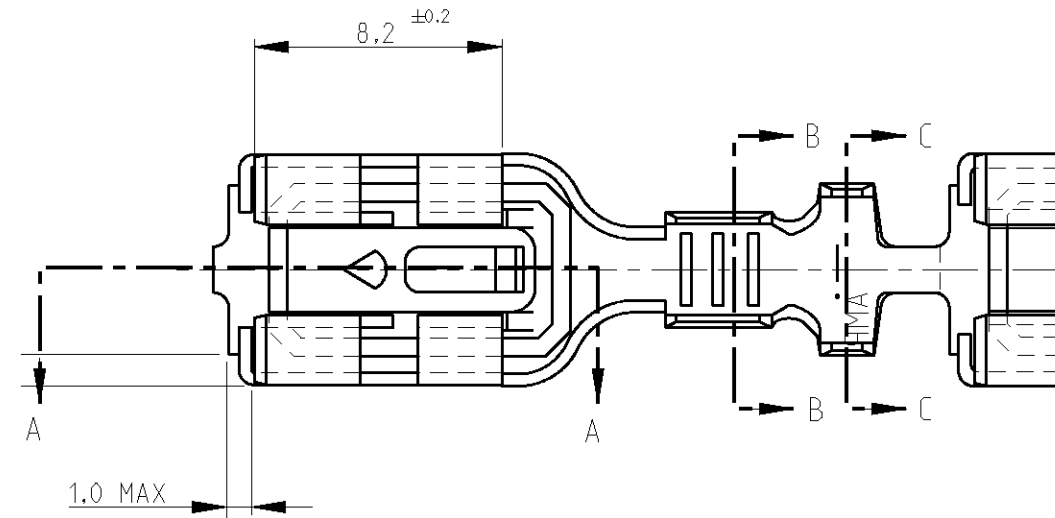
DIMENSIONS IN mm

METRIC

THIRD ANGLE PROJECTION

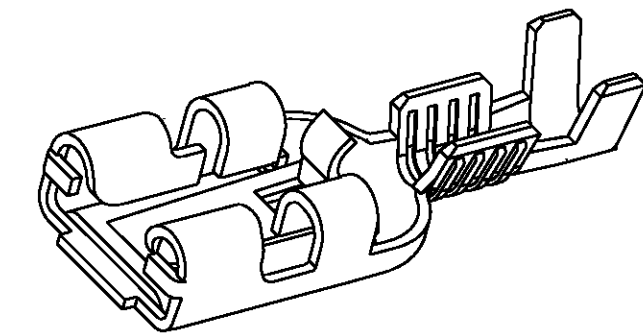


LOC		DIST		REVISIONS			
P	LTR	DESCRIPTION	DATE	DWN	APVD		
AD	47	L1	REVISED PER ECO-09-026346	26NOV09	KK	AEG	



NOTES :

- FOR USE ON MINI HD APPLICATOR (LEFT - RIGHT FEED).
- TINPLATING THICKNESS .000080 MIN - .000400 MAX. (INCH).
- MATERIAL PH.BRONZE ACC ASTM B103 ALLOY 511.
- REAR ROLLING MUST TOUCH TAB.
- OBsolete PARTS: OBSOLETE CIS STREAMLINING PER D.RENAUD/D.SINISI**



WIRE	CRIMP HEIGHT	CRIMP WIDTH
3.0mm?	2.16mm	.130 'F'
3.5mm?	2.27mm	.130 'F'
4.0mm?	2.38mm	.130 'F'

5 OBsolete		100017-4	PRE-TINPLATED	PH.BRONZE	216331-4
		100017-3	SILVERPLATED	PH.BRONZE	216331-3
		100017-2	TINPLATED	PH.BRONZE	216331-2
		100017-1	UNPLATED	PH.BRONZE	216331-1
		LOOSE PIECE NR.	FINISH	MATERIAL	PARTNUMBER
DIRECTION OFF TOP OF REEL 107 - 3 FIG 6.		tyco Electronics		TYCO ELECTRONICS AMP ESPAÑOLA S.A BARCELONA ESPAÑA	
		CUSTOMER DRAWING		THIS DRAWING IS UNPUBLISHED CUSTOMER DRAWING - -	
FOR REFERENCE ONLY WILL NOT BE UPDATED		© COPYRIGHT 2002 - BY AMP-ESPAÑOLA ALL INTERNATIONAL RIGHTS RESERVED. AMP PRODUCTS MAY BE COVERED BY U.S. AND FOREIGN PATENTS AND/OR PATENTS PENDING.			
DR.	DATE	WIRE RANGE	NAME		REV. DATE
R.v.Lokven	24.04.89	+2.5-4.0mm?	.250 L.I.F AUTOMOTIVE POS LOCK REC MKII.		D M Y
CHK.	DATE	INSUL.RANGE			2611 09
R.v.Lokven	24.04.89	3.0-4.2 DIA			
APP.	DATE	SIZE	SHEET	DWG. No.	REV.LTR.
L.v.Soest	26-11-89	A2	1 OF 1	C-216331	L1