

4

3

2

1

THIS DRAWING IS UNPUBLISHED.

RELEASED FOR PUBLICATION

20

LOC DS

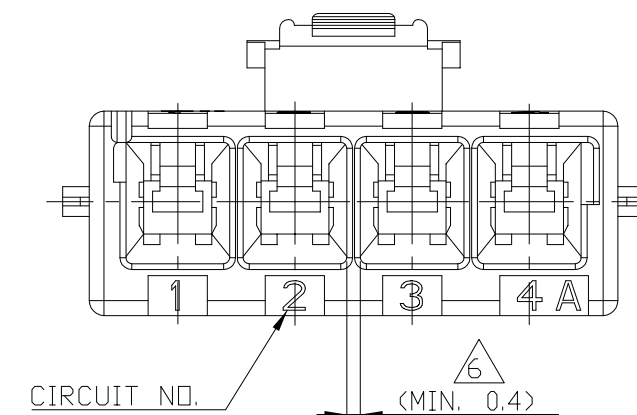
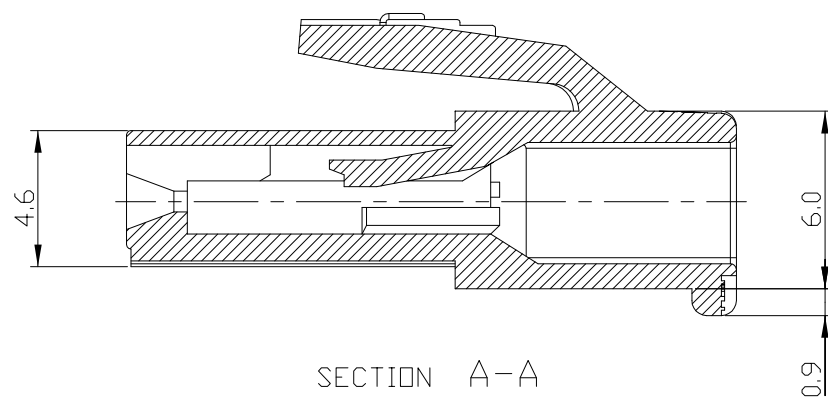
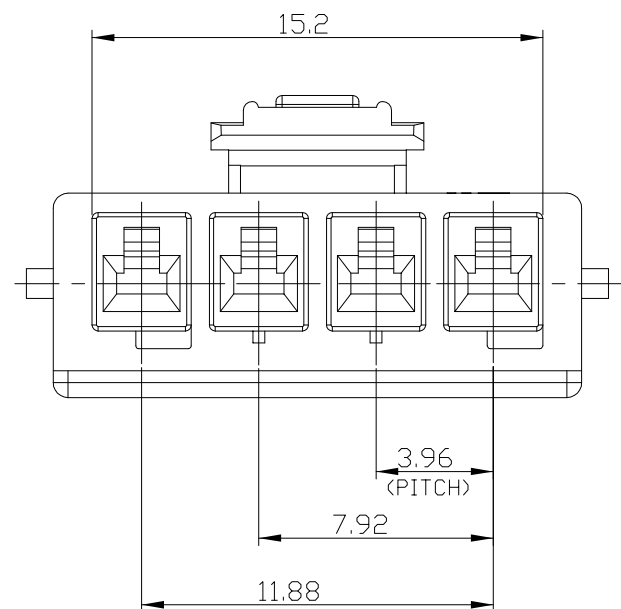
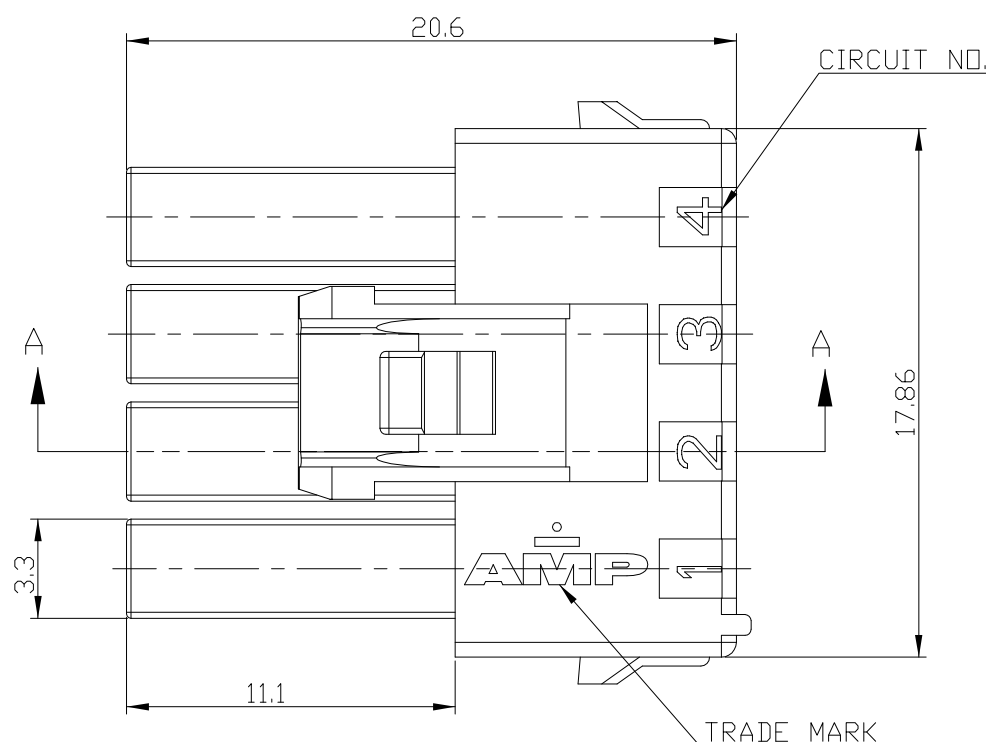
DIST -

REVISIONS

© COPYRIGHT 20 BY TYCO ELECTRONICS CORPORATION. ALL RIGHTS RESERVED.

P	LTR	DESCRIPTION	DATE	DWN	APVD
	A	RELEASED	01.OCT'09	SC	JK

- NOTE;
- 1.APPLICABLE CONTACT P/N
-REC CONTACT:177915- □(AWG#16-#20)
:177914- □(AWG#22-#26)
 - 2.MATING CONN.P/N
-TAB CONTACT:177917- □(AWG#16-#20)
177916- □(AWG#22-#26)
 - 3.APPLICABLE DOUBLE LOCK PLATE:177920-1
*IT SHOULD BE USED CERTAINLY WHEN CABLE ASS'Y
 - 4.GENERAL TOLERANCES:±0.3
 - 5.ACCORDING TO IEC 60335-1 4.2 EDITION
-PART MEETS GWT 750° & 850°C.
-MATERIAL MEETS BALL PRESSURE TESTING AT 125°C.
-MATERIAL HAS CTI VALUE OF 250V.
 6. MIN.THICKNESS OF INSULATING WALL



2005251-6	BLUE
2005251-4	YELLOW
2005251-1	NATURAL
P/N	COLOR

THIS DRAWING IS A CONTROLLED DOCUMENT FOR TYCO ELECTRONICS CORPORATION IT IS SUBJECT TO CHANGE AND THE CONTROLLING ENGINEERING ORGANIZATION SHOULD BE CONTACTED FOR THE LATEST REVISION.		DWN SC KIM	Tyco Electronics Kyungsan, Korea	
DIMENSIONS: mm		CHK BW KANG	NAME	
TOLERANCES UNLESS OTHERWISE SPECIFIED:		APVD JK SONG	PDL 4P PLUG HSG 3.96mm S/R (GWT)	
0 PLC ±-		PRODUCT SPEC 108-61106	RESTRICTED TO	
1 PLC ±0.1		APPLICATION SPEC	SIZE	CAGE CODE
2 PLC ±0.01		-	A3	00779
3 PLC ±0.001		WEIGHT	DRAWING NO	
4 PLC ±0.0001		-	2005251	
ANGLES ±-		CUSTOMER DRAWING	SCALE	SHEET
MATERIAL PA66 (UL94V-0)		FINISH -	4:1	1 OF 1
			REV	A