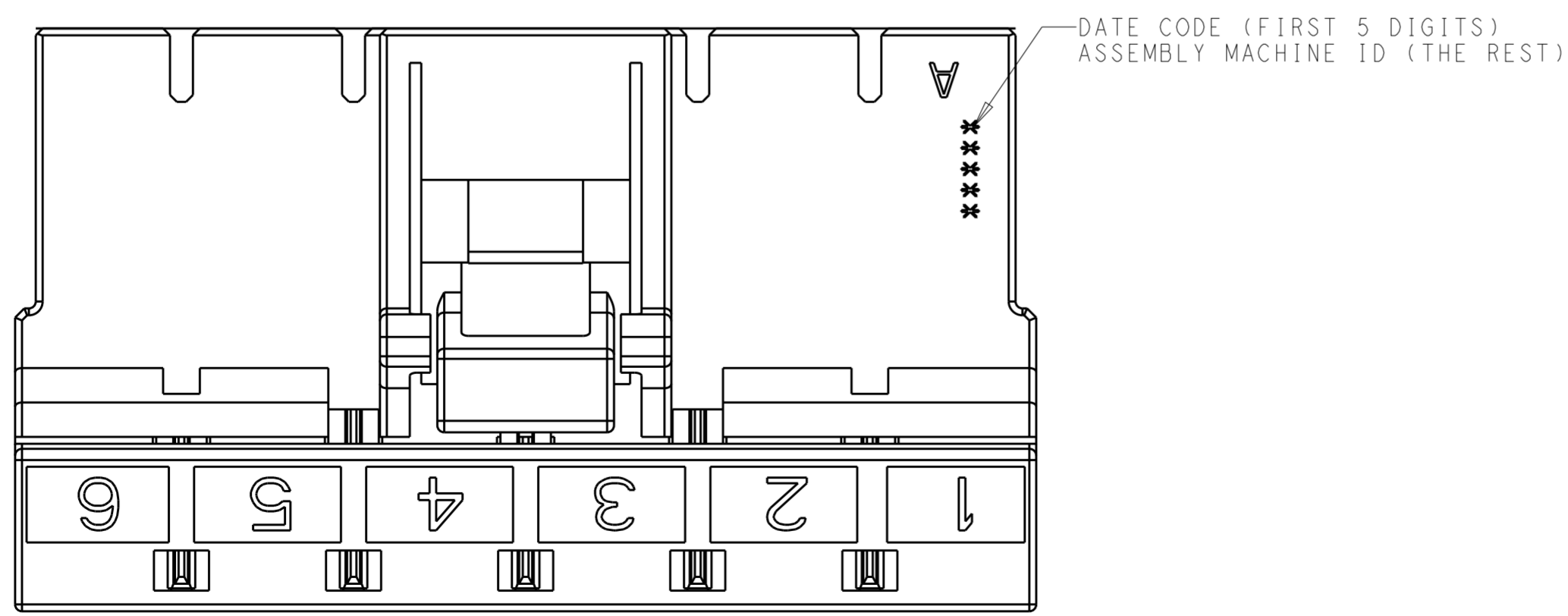
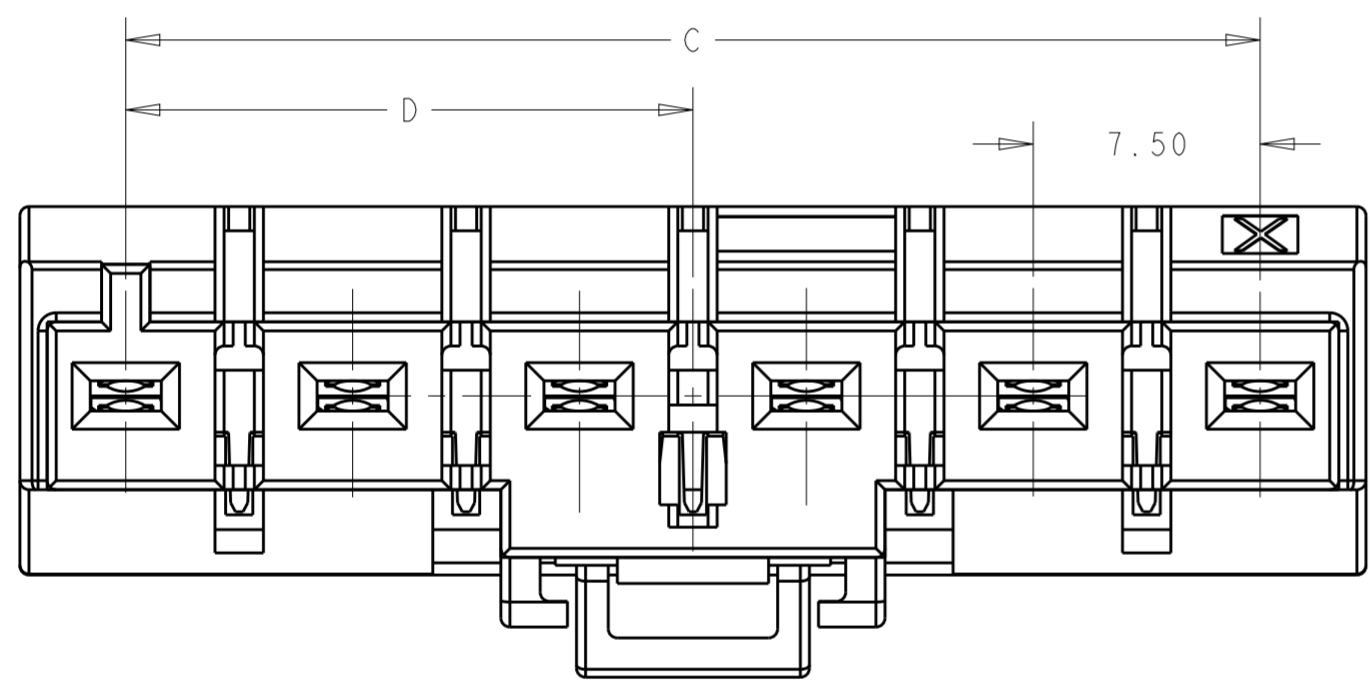
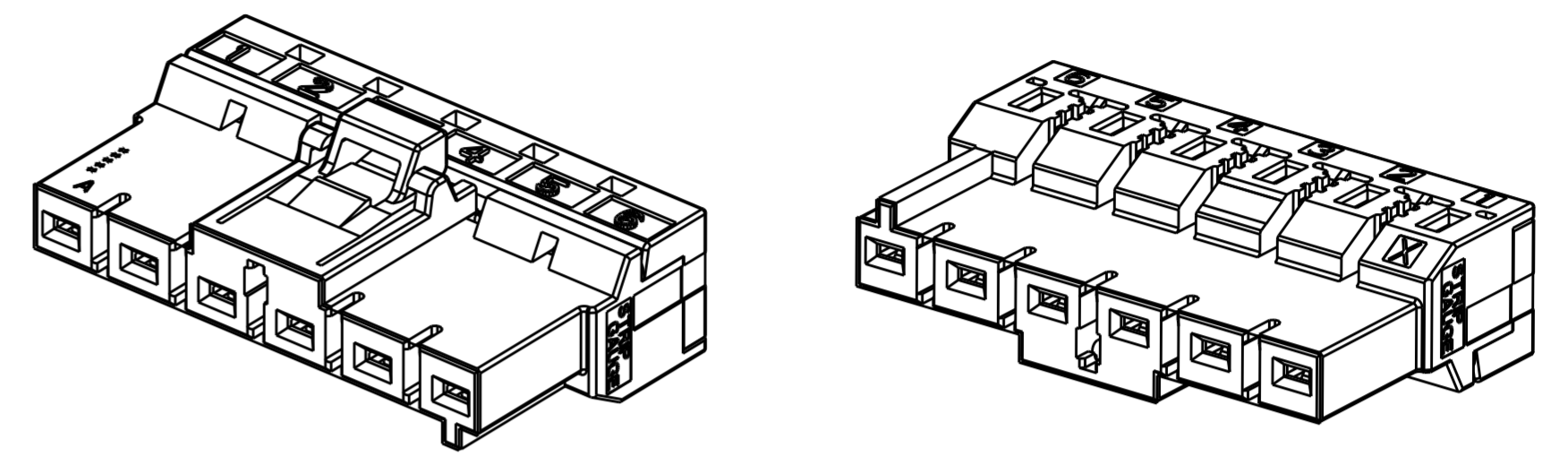
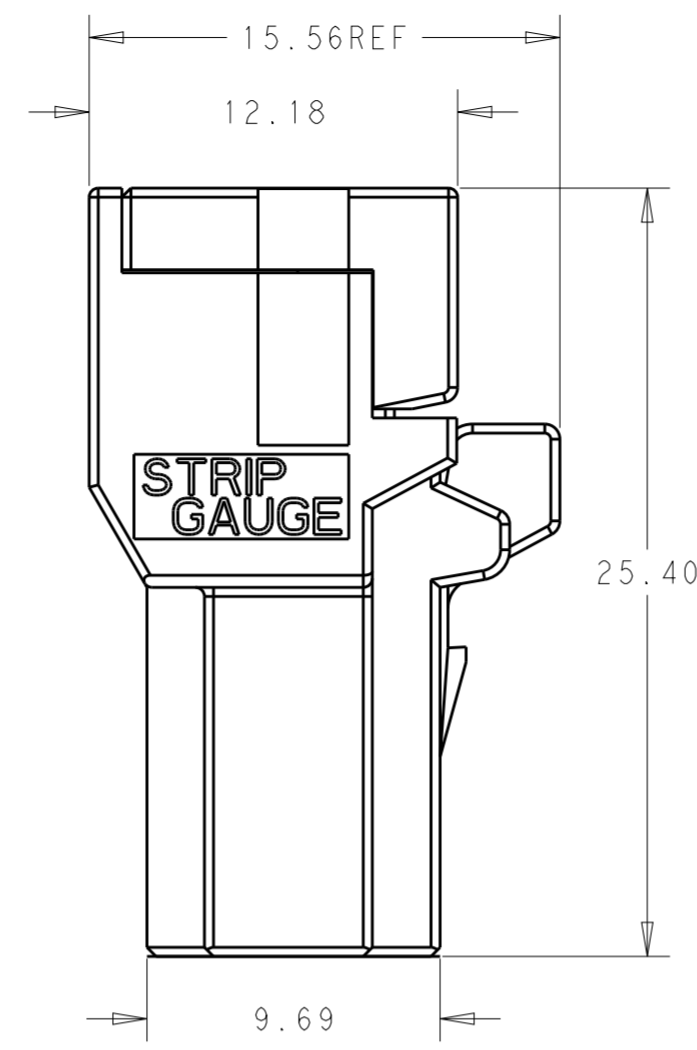
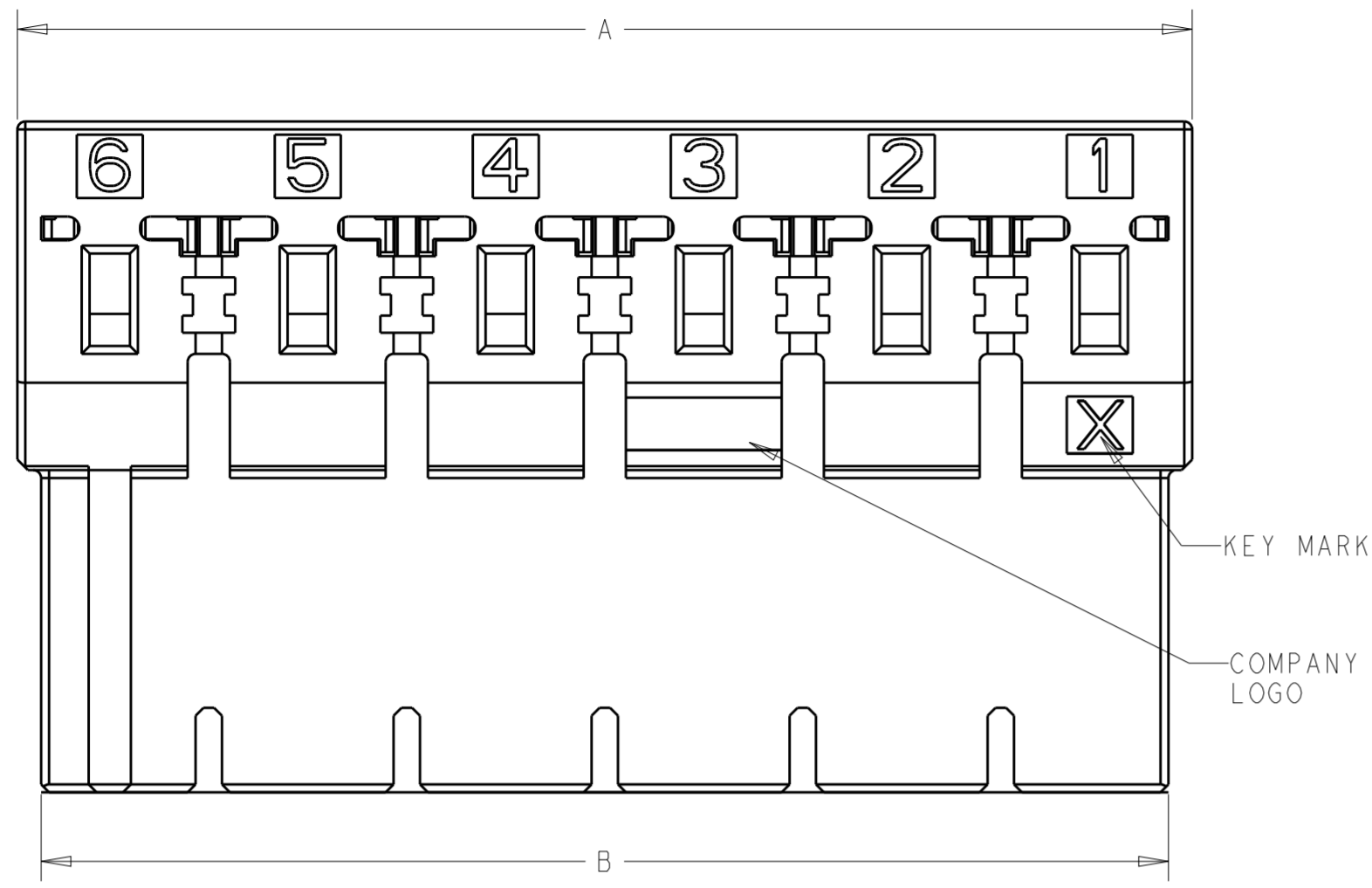


THIS DRAWING IS UNPUBLISHED. RELEASED FOR PUBLICATION 20
 © COPYRIGHT 20 BY - ALL RIGHTS RESERVED.

REVISIONS					
P	LTR	DESCRIPTION	DATE	DWN	APVD
B		REVISED	25JUN2018	K.T	E.I



- ① COMPLIES WITH DIRECTIVES 2002/95/EC (ROHS)
- ② RATED VOLTAGE: 600VAC,
- ③ APPLICATION CABLE: 22AWG~14AWG
- ④ OPERATION TEMPERATURE: -30°C~105°C
- ⑤ CONTACT RESISTANCE: 10mΩ MAX. INITIAL
- ⑥ INSULATION RESISTANCE: 1000MΩ MIN. INITIAL
- ⑦ NOTE DELETED

X	6PIN	18.75	37.50	42.70	44.50	1-2271454-6
X	4PIN	11.25	22.50	27.70	29.50	1-2271454-4
KEY MARK	PINS	DIM.D	DIM.C	DIM.B	DIM.A	ASSEMBLY P/N

THIS DRAWING IS A CONTROLLED DOCUMENT.

DIMENSIONS: mm	TOLERANCES UNLESS OTHERWISE SPECIFIED: 0 PLC ± 1 PLC ±0.50 2 PLC ±0.30 3 PLC ± 4 PLC ± ANGLES ± FINISH	DWN	08JAN2015	TE Connectivity
		CHK	08JAN2015	
		APVD	08JAN2015	NAME
		Xiang Xu		DYNAMIC D3950
		108-78997		RECEPTACLE ASSEMBLY
MATERIAL	TBD	APPLICATION SPEC	411-78272	SIZE
		WEIGHT	-	A2
		Customer Drawing	SCALE 2:1	SHEET 1 OF 1