

② Dimension

③ DIM A	$(N-1) \times 3.81 + 5.0$
DIM B	$(N-1) \times 3.81$

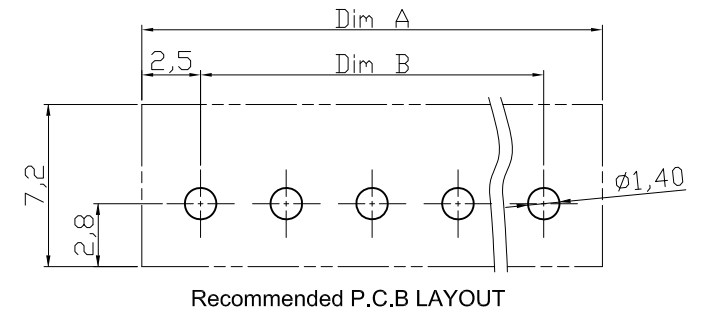
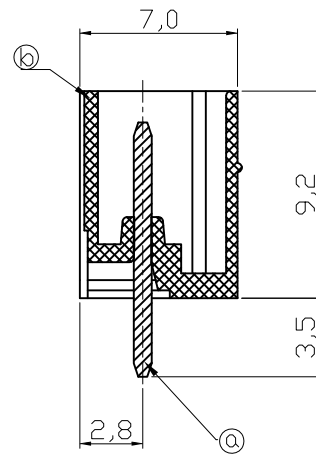
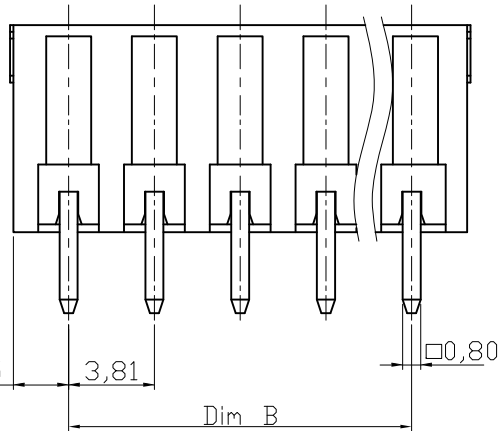
N=Number of poles

Poles	Tolerance
2P-6P	±0.15
7P-12P	±0.20
13P-18P	±0.25
19P-24P	±0.30

② Material

Item ① Male contact pin: Copper Tin plated  
 Item ② Terminal(housing): Thermoplastic (UL94V-0)  
 Green(RAL6018/T)

Electrical cULus/VDE  
 Voltage rating: 300V/300V  
 Current rating: 10A/10.5A  
 Withstanding Voltage: 1.6KV/2.5KV  
 Operating temperature: -40°C to +115°C  
 Soldering temperature: 250°C±10°C/5 Sec  
 Safety Approval:



**RoHS compliant**

Unit: mm

Scale	Free						Date	Name	Customer-No.
TOLERANCE						Drawn	10.12.2009	Dean	ASSMANN WSW-No. <b>A-TB381-OQxxCV</b>
X.	±0.50	④	Update the dimension	09.01.2015	Amy	Approved	09.01.2015	Amy	
X.X	±0.30	③	Update	13.03.2013	Amy				Drawing-No.
X.XX	±0.10	②	Update	06.03.2013	Amy	<b>ASSMANN</b> WSW components		ASS 3829 CO	rev04
DIM	TOL	①	Drawn	10.12.2009	Dean				Replace
X.°	±1°								
Angle	TOL	Id.	Modification	Date	Name				