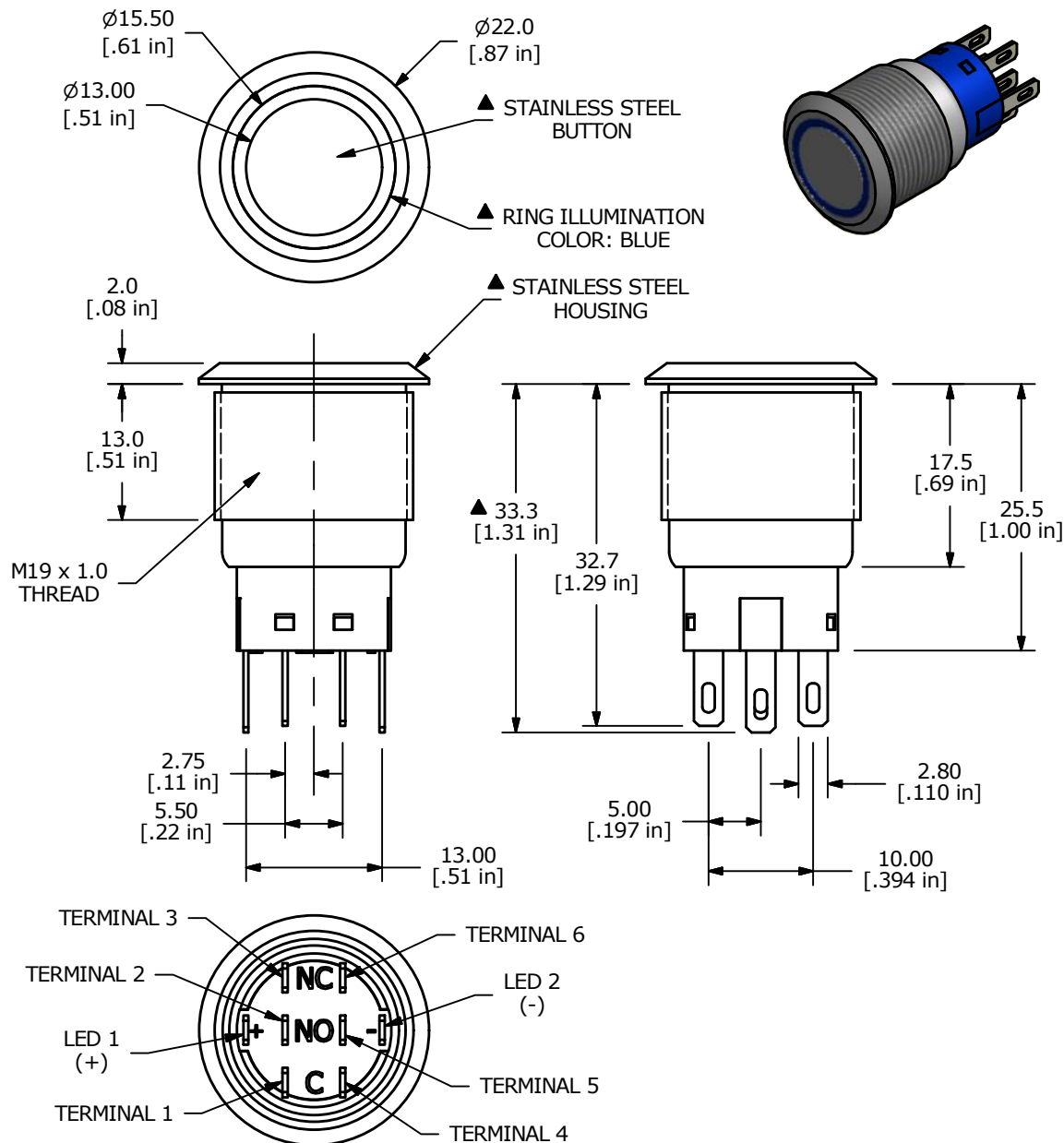


NOTE:

1. ALL DIMENSIONS IN MM [INCH]
2. GENERAL TOLERANCE: X.X = ± 0.4
X.XX = ± 0.25
3. TERMINAL NUMBERS FOR REF ONLY
- ▲ 4. CONTACT MATERIAL: SILVER
5. RATING: 3A 250 VAC cUL
6. ELECTRIC LIFE: 50,000 MAKE-AND-BREAK CYCLES AT FULL LOAD.
7. MECHANICAL LIFE: 500,000 CYCLES.
8. INSULATION RESISTANCE: 1,000 M Ω @ 500VDC MIN.
9. DIELECTRIC STRENGTH: 2,000 VAC MIN. FOR 1 MINUTE
10. CONTACT RESISTANCE: 50m Ω MAX. @ 1A 12VDC
11. OPERATING TEMP.: -20°C to 55°C
12. ▲ DENOTES CRITICAL PARAMETER.
- ▲ 13. LAMP VOLTAGE: 20mA 3V
14. TRAVEL: 3.2mm
15. ACTUATION FORCE: 3.5 \pm 1.0 N
16. MOUNTING NUT TORQUE: 5-14 Nm
17. INGRESS PROTECTION: IP67
18. HARDWARE SUPPLIED: O-RING AND HEXNUT



| | | | | |
|-----|--------|--|---------|----|
| D | 22216 | Update inside Ring diameter to 13.00mm | 3/23/16 | MW |
| C | 22127 | UPDATE HOUSING DIM. TO 1 PLACE DECIMAL | 1/19/16 | MW |
| B | 21962 | corrected panel cut-out dim from 22.2 | 8/24/15 | rc |
| A | 21865 | New Release | 7/24/15 | rc |
| REV | PCR NO | DESCRIPTION | DATE | BY |



| | | | | |
|--------------------|-----------|----|---------|-----|
| TITLE ULV4F2GSS341 | | | | |
| SCALE | DATE | DR | DWG | REV |
| 1.5 : 1 | 5/29/2015 | rc | T940003 | D |

THE INFORMATION CONTAINED IN THIS DOCUMENT IS PROPRIETARY TO E-SWITCH AND IS NOT TO BE COPIED OR TRANSFERRED