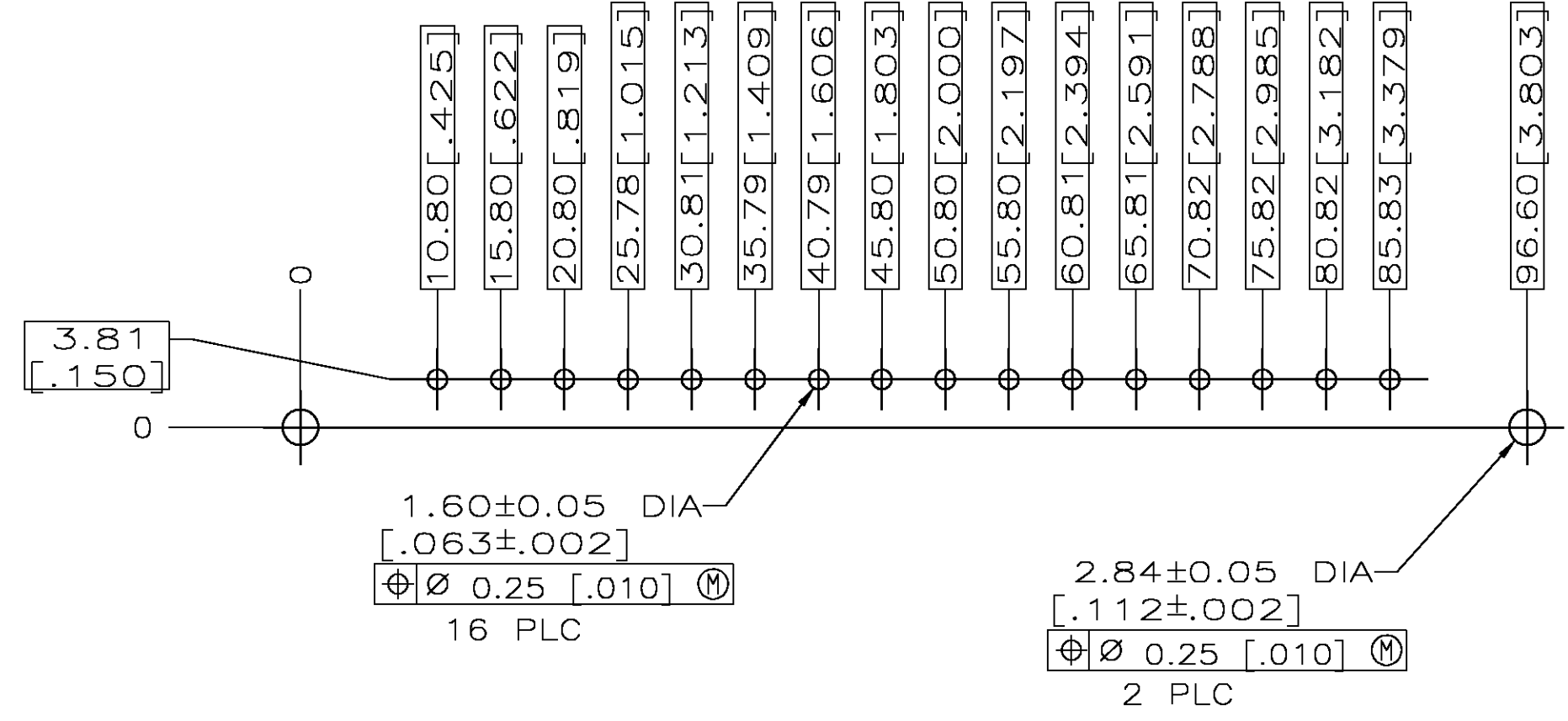
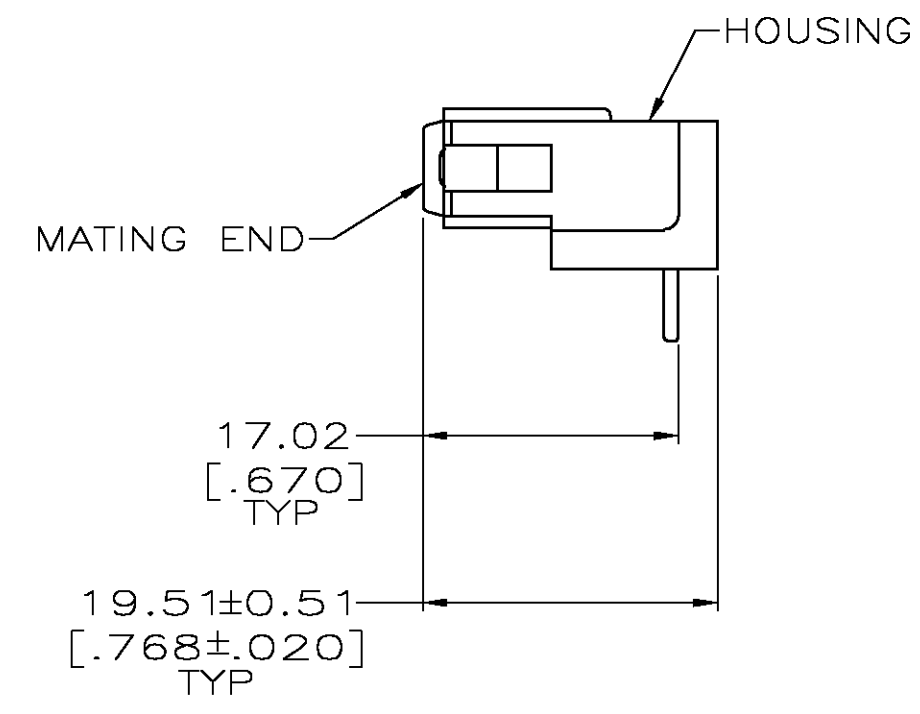
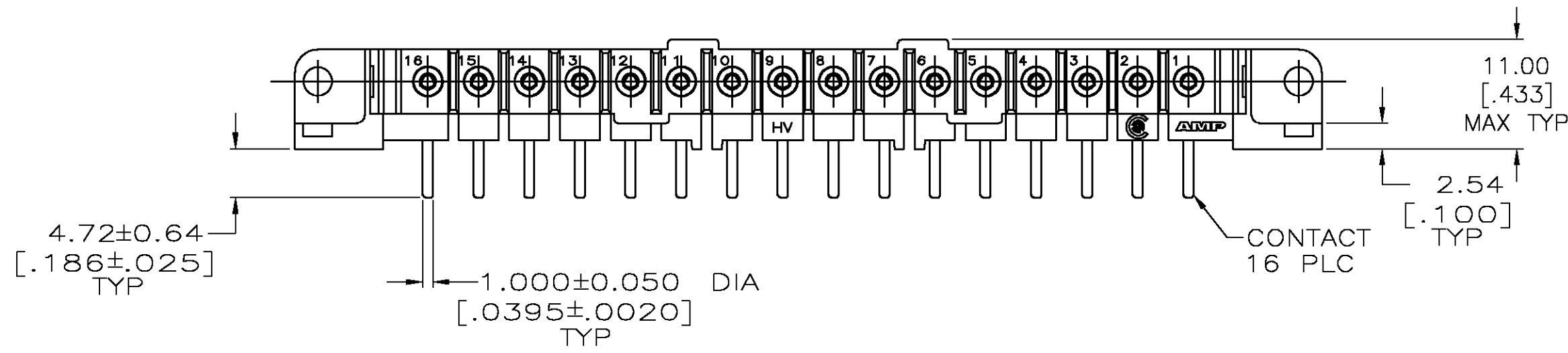
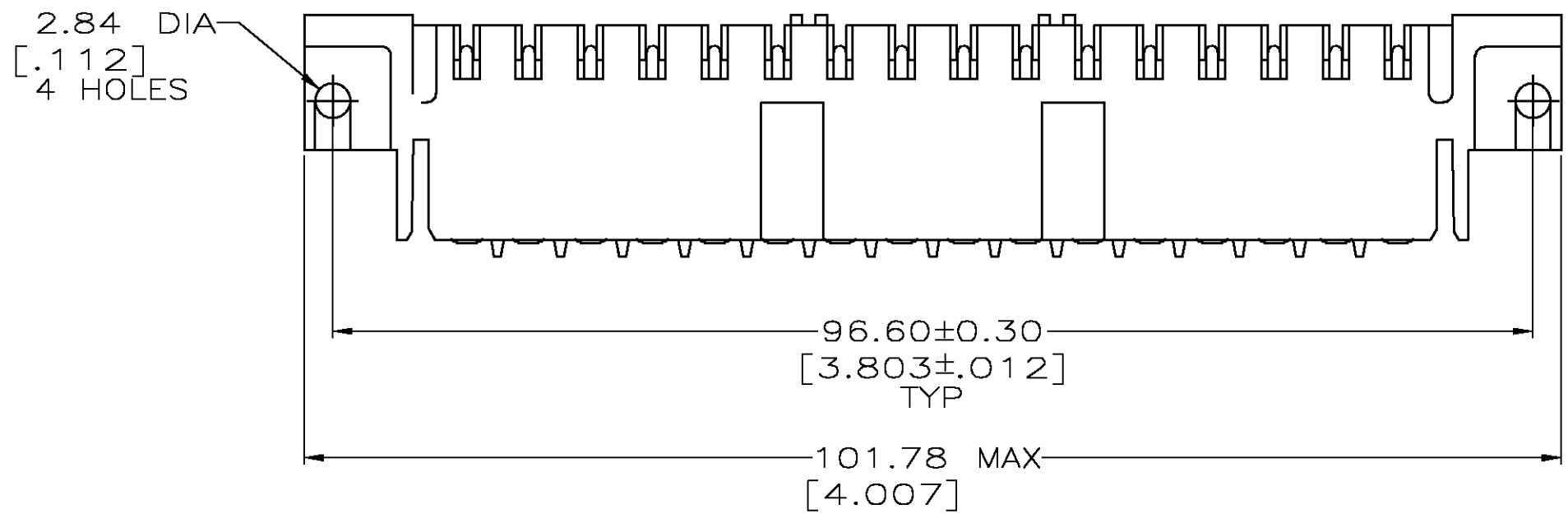


THIS DRAWING IS UNPUBLISHED. RELEASED FOR PUBLICATION  
 © COPYRIGHT BY TYCO ELECTRONICS CORPORATION. ALL RIGHTS RESERVED.

LOC		DIST		REVISIONS			
P	LTR	DESCRIPTION	DATE	DWN	APVD		
FT	0						
	H	REVISED PER 0G3B-0178-05	4/20/05	SS	GS		



RECOMMENDED PC BOARD LAYOUT

- ① 3.81um [.000150] MIN TIN-LEAD OVER 0.76um [.000030] MIN NICKEL.
- ② 0.76um [.000030] MIN GOLD FOR A LENGTH OF 5.08 [.200] MIN FROM MATING END, 3.81um [.000150] MIN TIN-LEAD FOR A LENGTH OF 5.23 [.206] MIN FROM OPPOSITE END, BOTH OVER 1.27um [.000050] MIN NICKEL.
- ③ 3.81um [.000150] MIN TIN OVER 0.76um [.000030] MIN NICKEL.
- ④ 0.76um [.000030] MIN GOLD FOR A LENGTH OF 5.08 [.200] MIN FROM MATING END, 3.81um [.000150] MIN TIN FOR A LENGTH OF 5.23 [.206] MIN FROM OPPOSITE END, BOTH OVER 1.27um [.000050] MIN NICKEL.

④	207614-7
③	207614-6
②	207614-3
①	207614-1
CONTACT FINISH	PART NUMBER

THIS DRAWING IS A CONTROLLED DOCUMENT.		DWN L.SIPE 08/07/92	Tyco Electronics Corporation Harrisburg, Pa 17105-3608	
DIMENSIONS: mm [INCHES]		CHK J.McCLINTON 8-11-92	NAME	
TOLERANCES UNLESS OTHERWISE SPECIFIED:		APVD -	PRODUCT SPEC 108-10033	
0 PLC ± -		APPLICATION SPEC -	SIZE A2	CAGE CODE 00779
1 PLC ± -		FINISH CONTACTS: SEE TABLE	DRAWING NO C=207614	RESTRICTED TO -
2 PLC ± 0.25 [.010]		WEIGHT -	SCALE 2:1	SHEET 1 OF 1
3 PLC ± -		CUSTOMER DRAWING	REV H	
4 PLC ± -				
ANGLES ± -				
MATERIAL HOUSING: NYLON, RED CONTACTS: PH BRZ.				