

THIS DRAWING IS UNPUBLISHED.

RELEASED FOR PUBLICATION

SEP. 2005

© COPYRIGHT 2005

BY -

ALL RIGHTS RESERVED.

LOC
E

DIST
B

REVISIONS

P	LTR	DESCRIPTION	DATE	DWN	APVD
	A2	REVISED PER ECO-11-005150	29MAR2011	RK	HMR

1 FOR FURTHER INFORMATION SEE DATA SHEET FOR HS SERIES-ALUMINIUM HOUSED RESISTORS

2 FOR A SPECIFIC PN FOR A RESISTANCE VALUE AND TOLERANCE, PLEASE REFER TO DMF

3 TECHNICAL SPECIFICATION

DISSIPATION AT 25°C : 150 WATTS MOUNTED ON STD HEATSINK

OHMIC RANGE : R10 TO 100K

STABILITY : ΔR < =2% PER 1000hrs

ISOLATION VOLTAGE : 3500V DC/AC pk

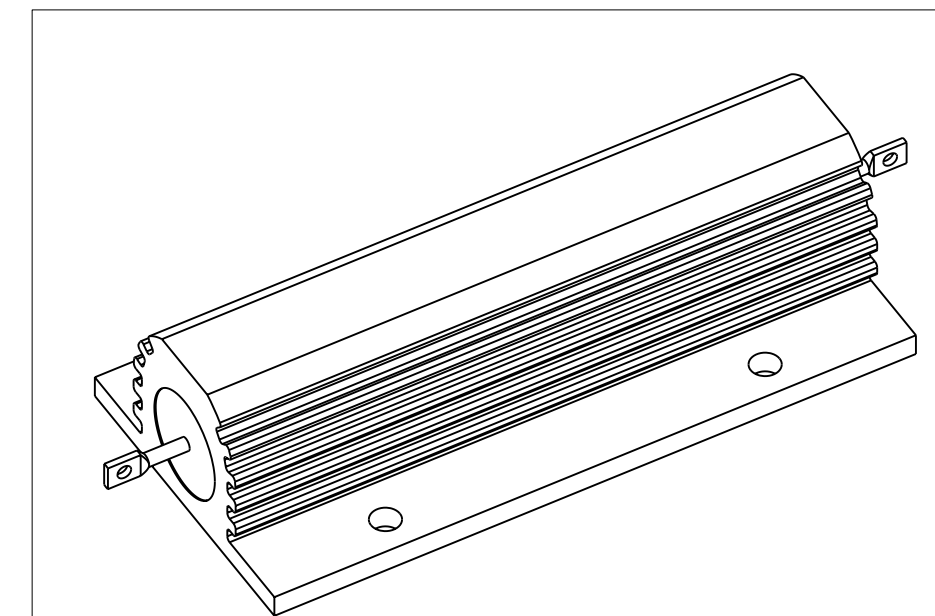
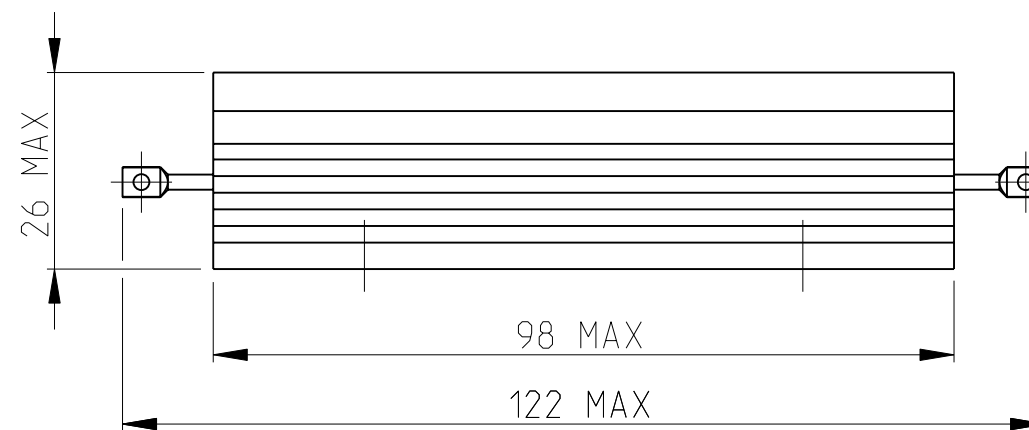
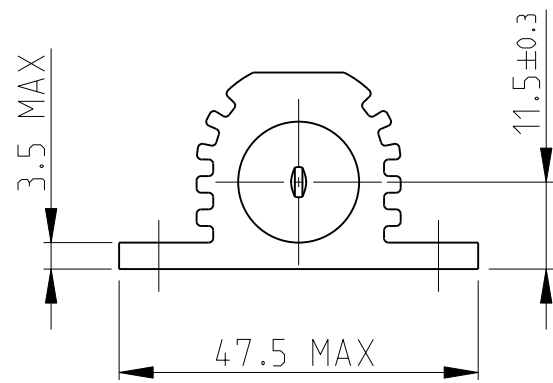
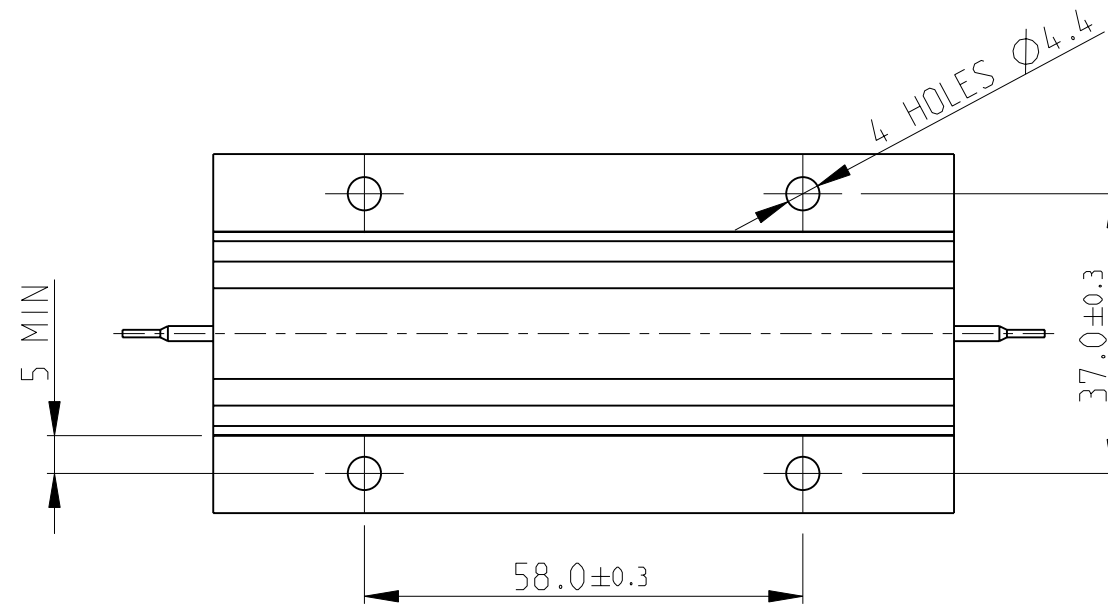
MAX WORKING VOLTAGE : 2500V DC/AC rms

TEMPERATURE COEFFICIENT : > 1R0 50ppm

> 100R 25ppm

CLIMATIC CATEGORY : 55/200/56

RoHS Compliant



THIS DRAWING IS A CONTROLLED DOCUMENT.

DWN 28.SEP.05

DAVE KENNEDY

CHK 28.SEP.05

J CATCHPOLE

APVD 28.SEP.05

J CATCHPOLE

PRODUCT SPEC

APPLICATION SPEC

WEIGHT

-



TE Connectivity

NAME

HSC 150

SIZE

A3

CAGE CODE

00779

DRAWING NO

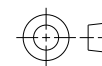
C=1630012

RESTRICTED TO

-

DIMENSIONS:

mm



TOLERANCES UNLESS OTHERWISE SPECIFIED:

0 PLC	±0.5
1 PLC	±0.2
2 PLC	±0.1
3 PLC	±
4 PLC	±
ANGLES	±5°

MATERIAL

-

FINISH

-

CUSTOMER DRAWING

SCALE 1:1

SHEET 1 OF 1

REV A2