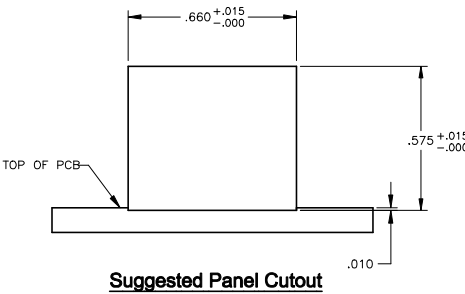
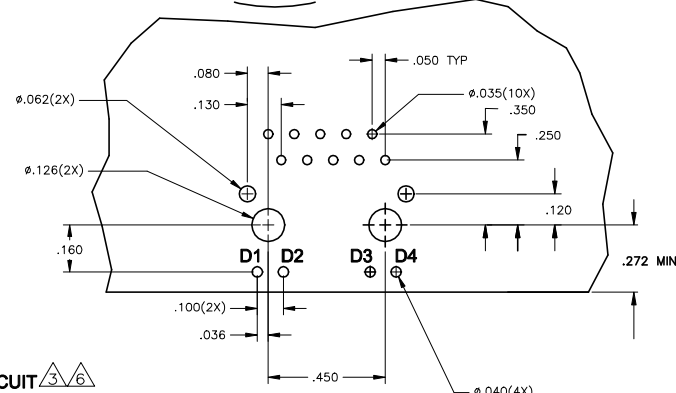
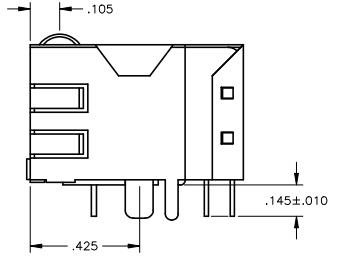
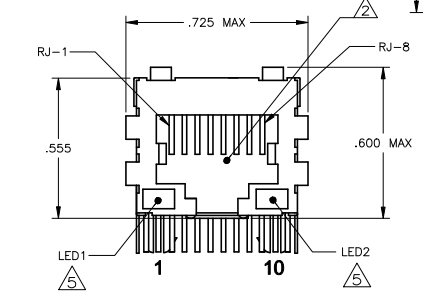
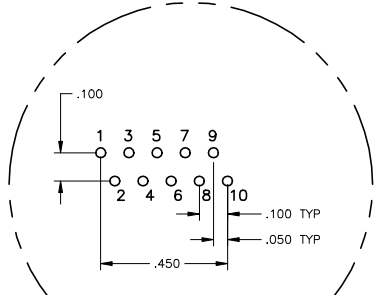
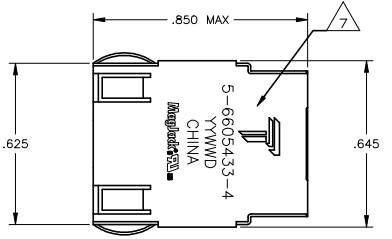


THIS DRAWING AND THE SUBJECT MATTER SHOWN THEREON ARE CONFIDENTIAL AND THE PROPERTY OF BEL/STEWART/TRP CONNECTOR AND SHALL NOT BE REPRODUCED, COPIED, OR USED IN ANY MANNER WITHOUT THE WRITTEN CONSENT OF TRP CONNECTOR.

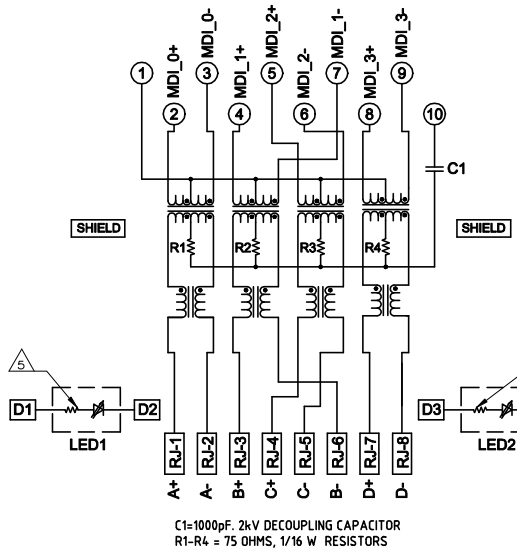
PRODUCT MAY BE PROTECTED BY ONE OR MORE OF THE FOLLOWING US PATENTS:
 5736910 5939955 6425781 6428361 6554638 6840817 7123117
 7429195 7717749 7808751 6217391 6149050 7924130

REVISIONS				
REV	DATE	DESCRIPTION	BY	APP
F	EC-1411035	COMPANY LOGO CHANGE	28DEC2014	ST TL

MECHANICAL:

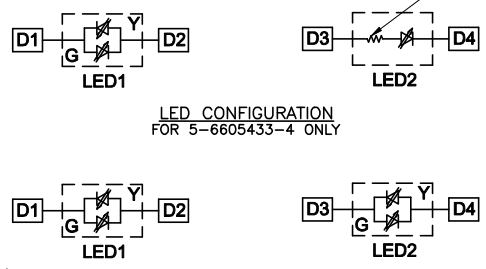


4G01 GIGABIT MAGNETIC CIRCUIT



C1=1000pF, 2kV DECOUPLING CAPACITOR
 R1-R4 = 75 OHMS, 1/16 W RESISTORS

Suggested PCB Layout (Component Side)



- MATERIALS:**
 HOUSING - THERMOPLASTIC PET POLYESTER FLAMMABILITY RATING UL 94V-0.
 SHIELD - .010" THICK, C26800 BRASS PREPLATED WITH 30μNCH SEMI-BRIGHT NICKEL. SOLDER TABS POST DIPPED WITH 100μNCH MIN SAC SOLDER.
 MOD JACK CONTACTS - 0.0157 X 0.018" PHOSPHOR BRONZE, 50μNCH MIN OVERALL NICKEL UNDERPLATE, WITH SELECT 50μNCH MIN HARD GOLD FINISH PLATE SOLDER TAILS WITH 100μNCH MIN MATTE TIN AND/OR SAC SOLDER DIP.
 LIGHT EMITTING DIODE(LED) - DIFFUSED EPOXY LENS, .020" x .020" CARBON STEEL WIREFRAME LEADS PRE-PLATED WITH 80μNCH SILVER OVER 40μNCH NICKEL UNDERPLATE OVER 40μNCH COPPER UNDERPLATE. POST-PLATED WITH 100μNCH MIN MATTE TIN AND/OR SAC SOLDER DIP OR PURE TIN SOLDER DIP.
- RJ45 JACK CAVITY CONFORMS TO FCC RULES AND REGULATIONS PART 68, SUB PART F.**
- MAGNETICS**
 -IMPEDANCE: 100 OHMS
 -TURNS RATIO (CHIP CABLE): 1:1 ALL FOUR PAIRS
 -OPEN CIRCUIT INDUCTANCE (OCL): 350μH MIN @100kHz, 0.1VRMS, 8mADC BIAS FROM 0°C TO 70°C, ALL FOUR PAIRS
 -ALL FOUR PAIRS BI-DIRECTIONAL
 -PERFORMANCE @ 25°C:
 INSERTION LOSS (IL): 1.1dB MAX FROM 0.5MHz TO 100MHz
 RETURN LOSS (RL): 18dB MIN FROM 0.5MHz TO 40MHz
 12-20LOG(f/80)dB MIN FROM 4.01MHz TO 100MHz
 CROSSTALK ATTENUATION: 35dB MIN FROM 0.5MHz TO 40MHz
 33-20LOG(f/50)dB MIN FROM 4.01MHz TO 100MHz
 COMMON MODE REJECTION RATIO (CMRR): 30dB MIN FROM 0.5MHz TO 100MHz
 -ISOLATION VOLTAGE: 2250VDC (MAX) FOR 60 SECONDS WITH A RISE TIME OF 500V/SEC.
- OPERATING TEMPERATURE: FROM 0°C TO +70°C**
- THE 250 OHM LED RESISTORS ARE OPTIONAL, PLEASE SEE CHART FOR PRESENCE OR ABSENCE OF LED RESISTORS. IF THE LED WITHOUT 250 OHM RESISTORS, LED IS DRIVEN WITH CONSTANT CURRENT AT APPROX 20mA.**
 LED COLOR: DOMINANT WAVELENGTH (λD): GREEN 568 nm TYP @ IF=20mA
 FORWARD VOLTAGE (VF): GREEN 2.2V TYP @ IF=20mA
 DOMINANT WAVELENGTH (λD): YELLOW 588 nm TYP @ IF=20mA
 FORWARD VOLTAGE (VF): YELLOW 2.1V TYP @ IF=20mA
 IF THE LED WITH 250 OHM RESISTORS, LED IS DRIVEN WITH 5V VOLTAGE AND THE MAX OPERATING CURRENT IS 20mA.
 LED COLOR : DOMINANT WAVELENGTH (λD): GREEN 568 nm TYP @ VF=5V
 FORWARD CURRENT (IF): GREEN 12 mA TYP @ VF=5V
 DOMINANT WAVELENGTH (λD): YELLOW 588 nm TYP @ VF=5V
 FORWARD CURRENT (IF): YELLOW 13 mA TYP @ VF=5V
- THE MAGNETICS ARE SYMMETRIC, AND SUPPORT AUTO-MDI/MDIX.**
- TRP CONNECTOR LOGO, PART NUMBER, DATE CODE, COUNTRY OF ORIGIN AND AGENCY APPROVAL MARKING IN APPROXIMATE LOCATION SHOWN.**
- THESE PARTS ARE RECOMMENDED FOR WAVE SOLDERING PROCESS. PREHEAT TEMPERATURE IS 120°C TO 160°C, 120 SECONDS TO 180 SECONDS, PEAK SOLDERING TEMPERATURE IS 260 °C MAX, 10 SECONDS MAX.**

YES	GREEN	YES	GREEN	YES	6-6605433-1
YES	GREEN	NO	YELLOW	NO	5-6605433-8
YES	GREEN/YELLOW	NO	GREEN/YELLOW	NO	5-6605433-6
YES	GREEN/YELLOW	NO	GREEN	YES	5-6605433-4
2KV DECOUPLING CAPACITOR	LED1	250 OHMS RESISTOR	LED2	250 OHMS RESISTOR	PART NUMBER

THIS DRAWING IS A CONTROLLED DOCUMENT:		REV. G. ATTADIA - DOCKS	
DATE	DESCRIPTION	DATE	DESCRIPTION
108-2100			

DIMENSIONS: INCHES		DIMENSIONS: MILLIMETERS	
1	2	1	2
0.005	0.005	0.127	0.127
0.010	0.010	0.254	0.254
0.020	0.020	0.508	0.508
0.050	0.050	1.270	1.270
0.100	0.100	2.540	2.540
0.200	0.200	5.080	5.080
0.500	0.500	12.700	12.700
1.000	1.000	25.400	25.400
2.000	2.000	50.800	50.800
5.000	5.000	127.000	127.000
10.000	10.000	254.000	254.000

TRP CONNECTOR		DONGGUAN CHINA	
1X1 4G01 GIGABIT TAB DOWN W/ LED		-	
MAGJACK		-	
SINGLE NON-POE		-	
REV. A1	DATE CODE	DRAWING NO. C-6605433	RESTRICTED TO
CUSTOMER DRAWING		SCALE NTS SHEET 1 OF 1 REV. F	