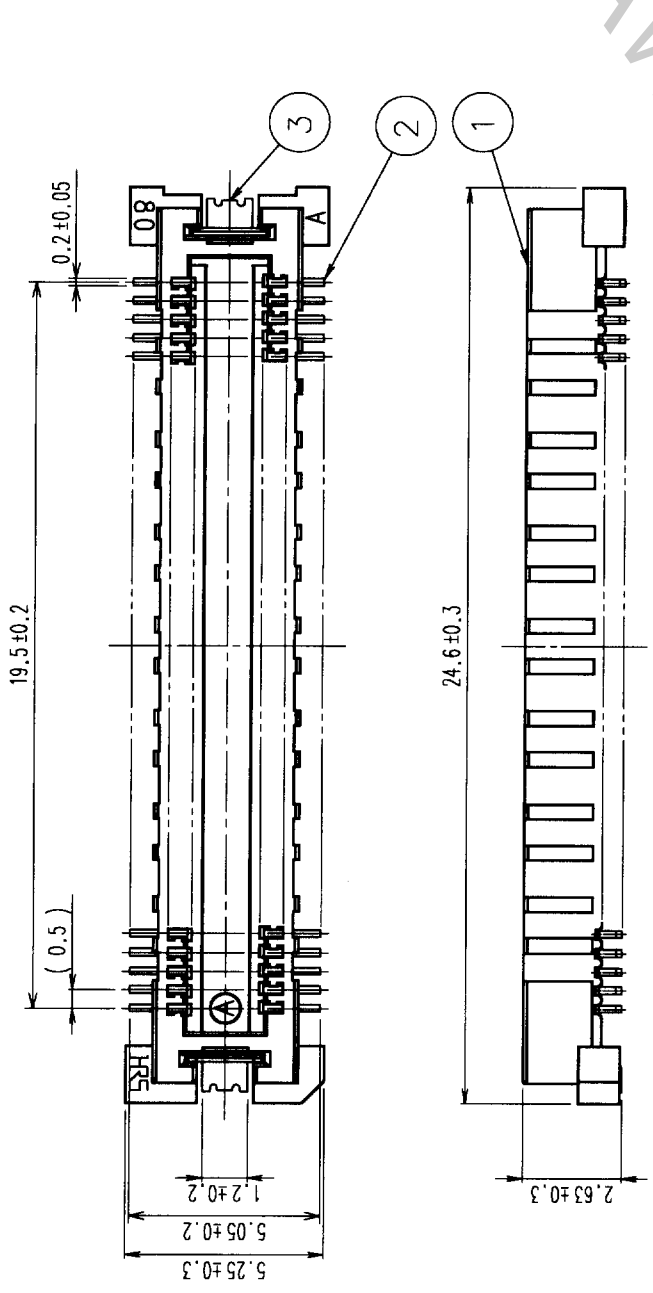
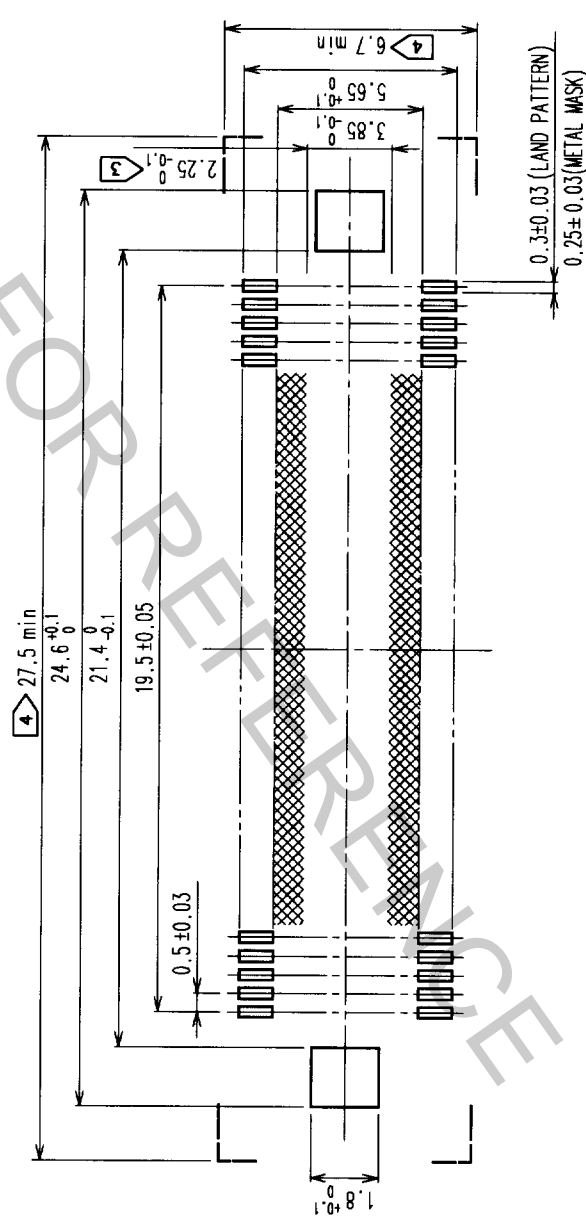


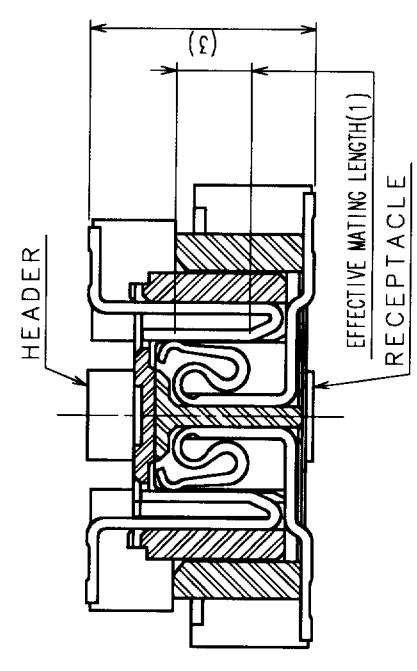
| 5 | 6 | 7 | 8 |
|--------------------------------|----|------|------|
| COUNT DESCRIPTION OF REVISIONS | BY | CHKD | DATE |
| | | | |
| | | | |
| | | | |



RECOMMENDED LAND PATTERN DIMENSION OF PCB



SIGNAL PORTION CROSS SECTION (10:1)



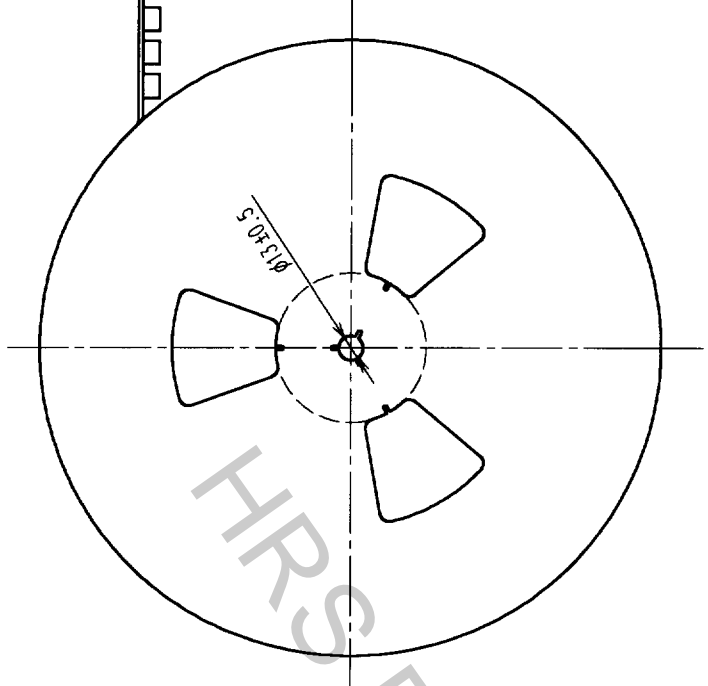
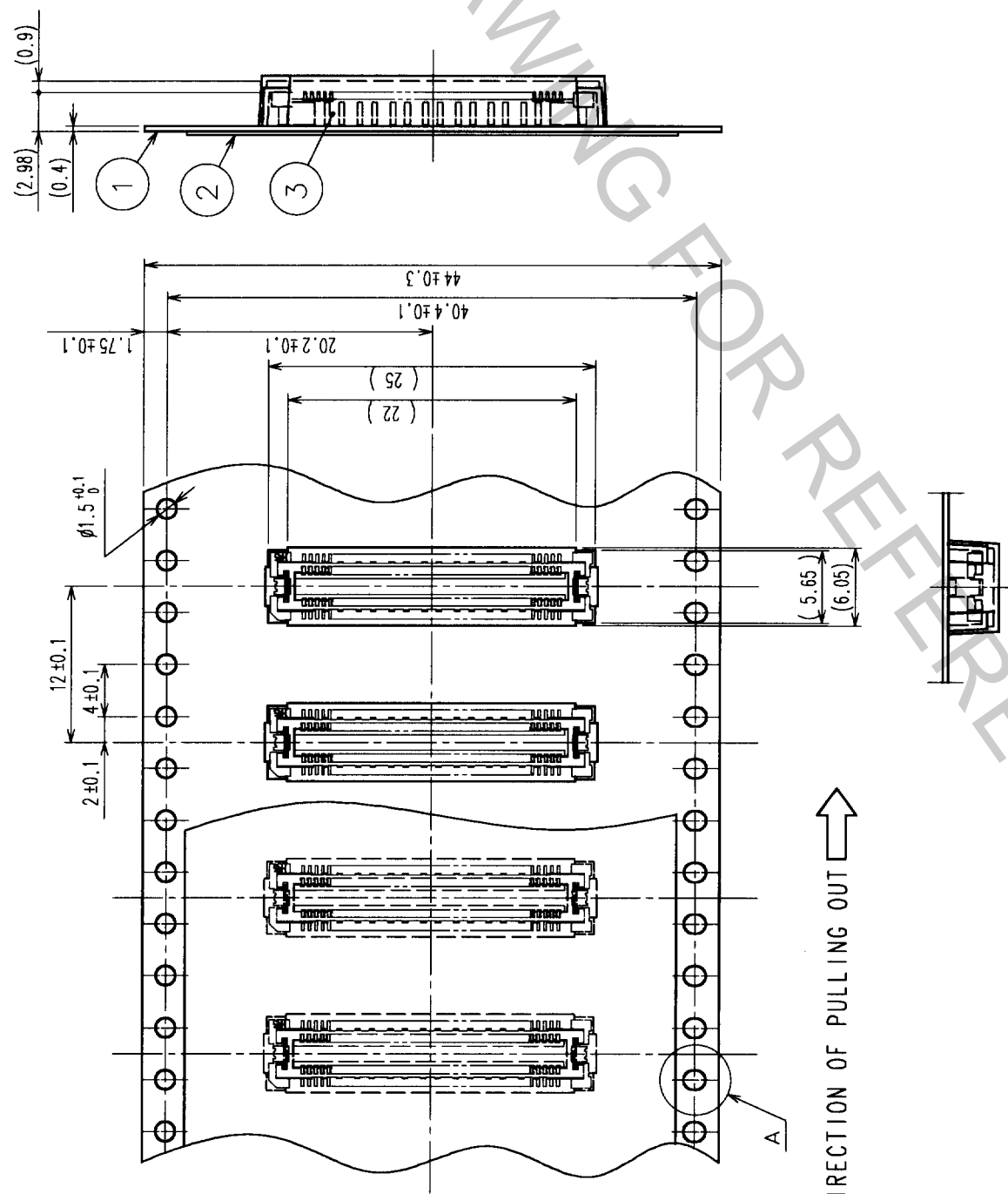
- NOTES 1 SMT LEAD-COPLANARITY: 0.1 MAX.
- 2 THIS PRODUCT HAS NO POLARITY TO PATTERN FOR MOUNTING.
- 3 MAKE SURE WIDTH OF PATTERN IS WITHIN THAT OF LAND ,OR LEAD MAY TOUCH PATTERN. (THIS APPLIES TO HATCHED AREA.)
- 4 DO NOT MOUNT OTHER DEVICES ONTO [] AREA ,OR MATING PAIR CANNOT BE MATED.
- 5 TO BE EMBOSSED CARRIER TAPED AS SPECIFIED IN SHEET 2.

| | | |
|---------------------|-----------------|--|
| 2 | COPPER ALLOY | CONTACT AREA: GOLD (0.1µm) OVER NICKEL |
| 1 | LCP | LEAD: GOLD FLASH OVER NICKEL |
| NO. | MATERIAL | FINISH, REMARKS |
| CODE NO. (OLD) | CL | CL |
| NO. | DESIGNED | CHECKED |
| 3 | PHOSPHOR BRONZE | TIN PLATED |
| NO. | MATERIAL | FINISH, REMARKS |
| CODE NO. (OLD) | CL | CL |
| DRAWN | DESIGNED | CHECKED |
| EDC3-152631-01 | H. Saito | H. Saito |
| SCALE | 5:1 | UNITS |
| mm | mm | mm |
| DRAWING NO. | EDC3-152631-01 | PART NO. |
| FX11B-80P-SVO.5(21) | CODE NO. | CL573-0658-9-21 |
| 1 | 2 | 2 |

| | |
|-----|--|
| TO | |
| PCK | |

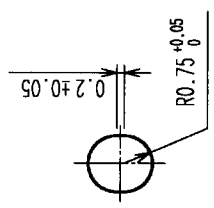
| COUNT | DESCRIPTION OF REVISIONS | BY | CHKD | DATE | COUNT | DESCRIPTION OF REVISIONS | BY | CHKD | DATE |
|-------|--------------------------|----|------|------|-------|--------------------------|----|------|------|
| 1 | | | | | 1 | | | | |
| 2 | | | | | 2 | | | | |
| 3 | | | | | 3 | | | | |

REELED DIMENSION (FREE)



THE DIRECTION OF PULLING OUT →

A (5 : 1)



- NOTES 1 1 REEL : 1000 CONNECTORS.
- 2 MINIMUM 10 COMPARTMENTS FROM BOTH REEL ENDS REMAIN EMPTY.
- 3 THIS PRODUCT HAS NO POLARITY TO TAPE AND REEL PACKAGING.

| 2 | PET | TOP COVER TAPE | 3 | (CONNECTOR) | FINISH, REMARKS | MATERIAL | FINISH, REMARKS |
|----------------|----------|--------------------------|---------------------|-----------------|-----------------|---------------------|-----------------|
| 1 | PS | EMBOSSED CARRIER TAPE | 3 | | | | |
| NO. | MATERIAL | FINISH, REMARKS | NO. | MATERIAL | FINISH, REMARKS | FINISH, REMARKS | FINISH, REMARKS |
| CODE NO. (OLD) | CL | | DRAWN | DESIGNED | CHECKED | APPROVED | RELEASED |
| | | | <i>J. Matsubara</i> | <i>H. Ikawa</i> | <i>H. Ikawa</i> | <i>J. Yoshimura</i> | |
| | | | 20.06.20 | 20.06.20 | 20.06.21 | 20.06.23 | |
| DRAWING NO. | | PART NO. | | | | | |
| EDC3-152631-01 | | FX11B-80P-SV0.5(21) | | | | | |
| SCALE | | CODE NO. | | | | | |
| 2 : 1 | | CL573-0658-9-21 | | | | | |
| UNITS | | HRS | | | | | |
| MM | | HIROSE ELECTRIC CO., LTD | | | | | |

| | |
|-----|--|
| TO | |
| PCK | |