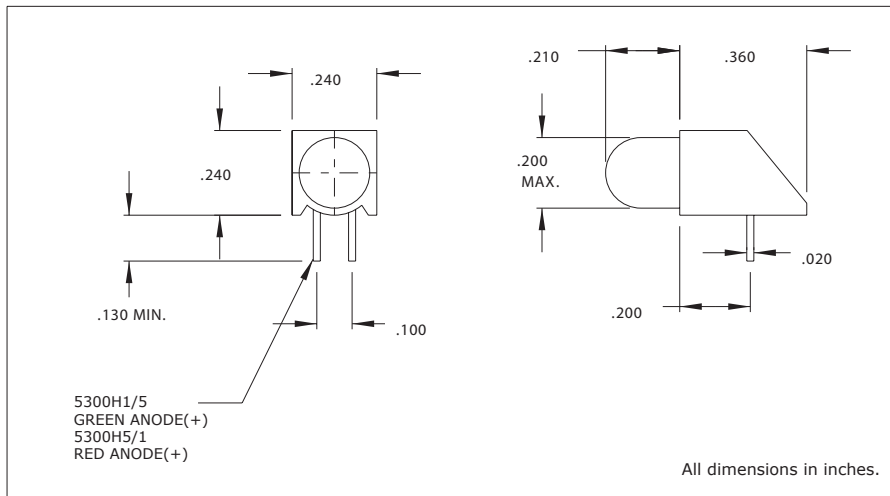


5300 Series T-1 3/4 Bicolor Right Angle LED Assembly

Description and Features



Features

- Bicolor LED, red and green chip within single lamp.
- High intensity light output.
- Standoff design prevents flux entrapment.
- Even alignment mounting saves assembly cost.
- RoHS Compliant

Housing: Black Nylon, UL94V-0

Electro-Optical Characteristics and Ratings

Part Number	Color	Typ. Intensity (mcd)	Rated Current (mA)	Continuous Forward CurrentMax. (mA)	Forward VoltageTyp. (V)	Forward VoltageMax. (V)	PeakForward Current@1ms-300pps(A)	Reverse Break-down VoltageMin. (V)	Peak Wavelength (nm)
5300H1/5	Red/Green	6.0	10	50	2.2	2.8	.06	3	650(R)/565(G)
5300H5/1	Green/Red	6.0	10	50	2.2	2.8	.06	3	565(G)/650(R)