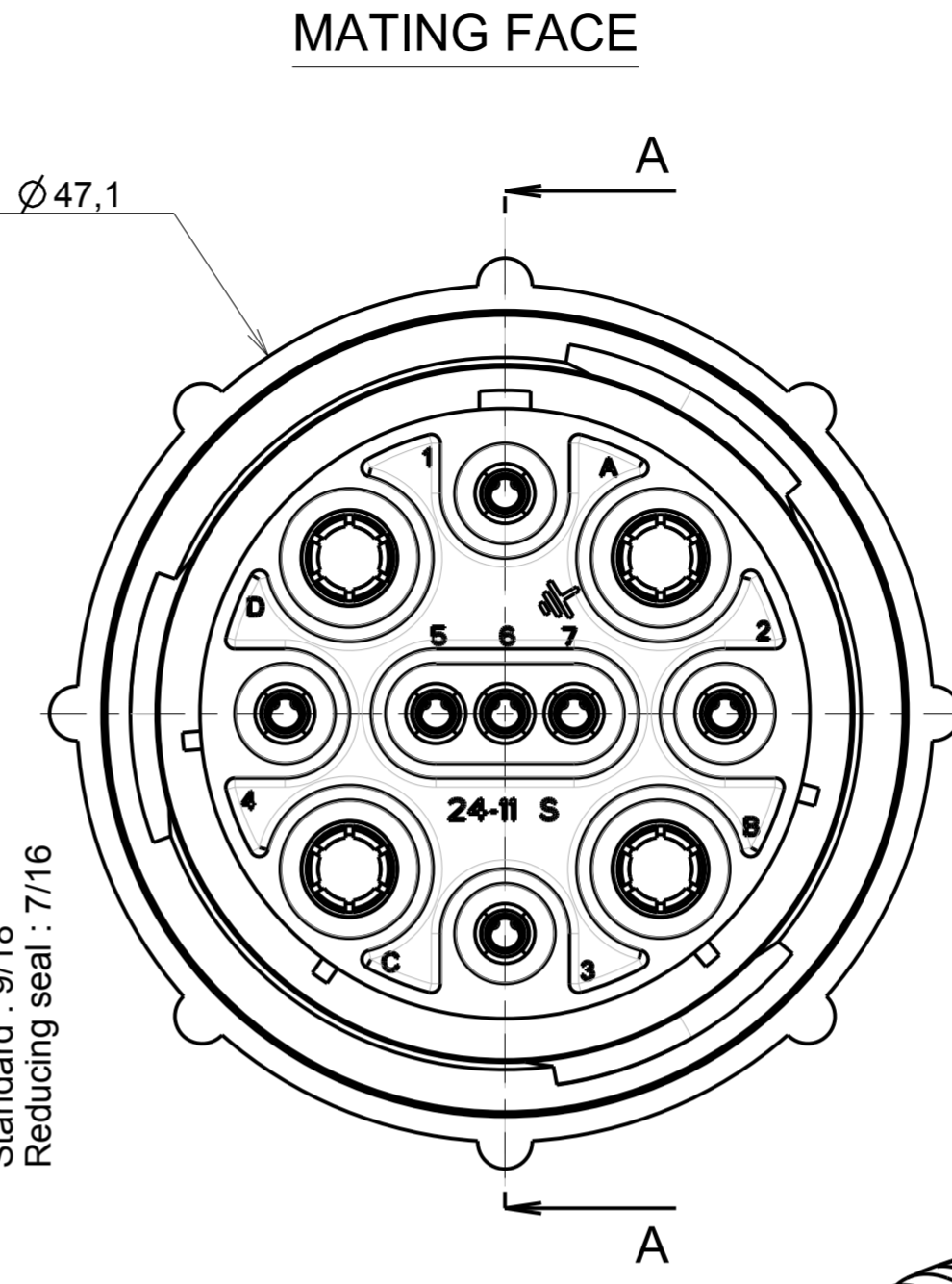
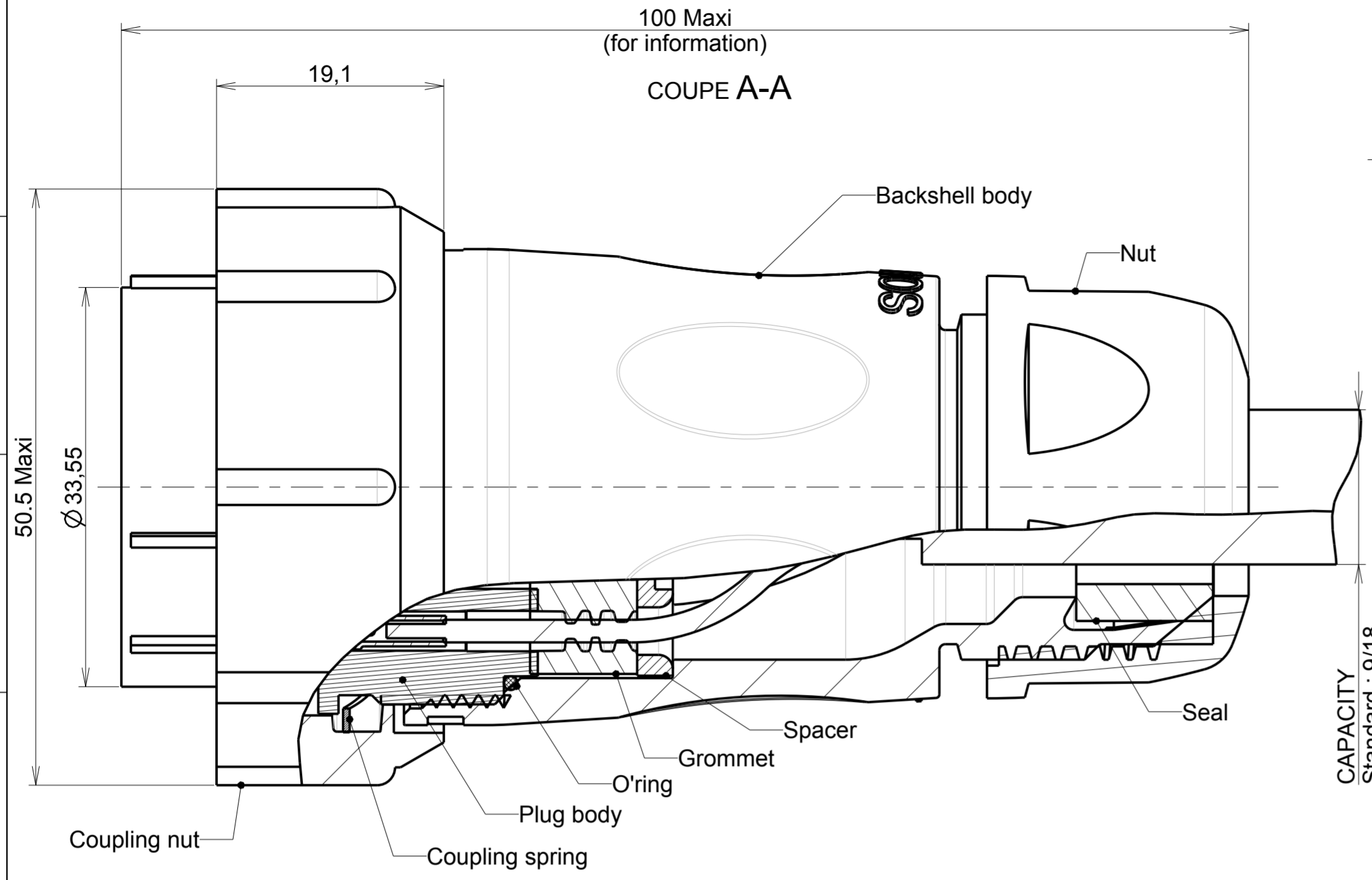


a : 0 : RL

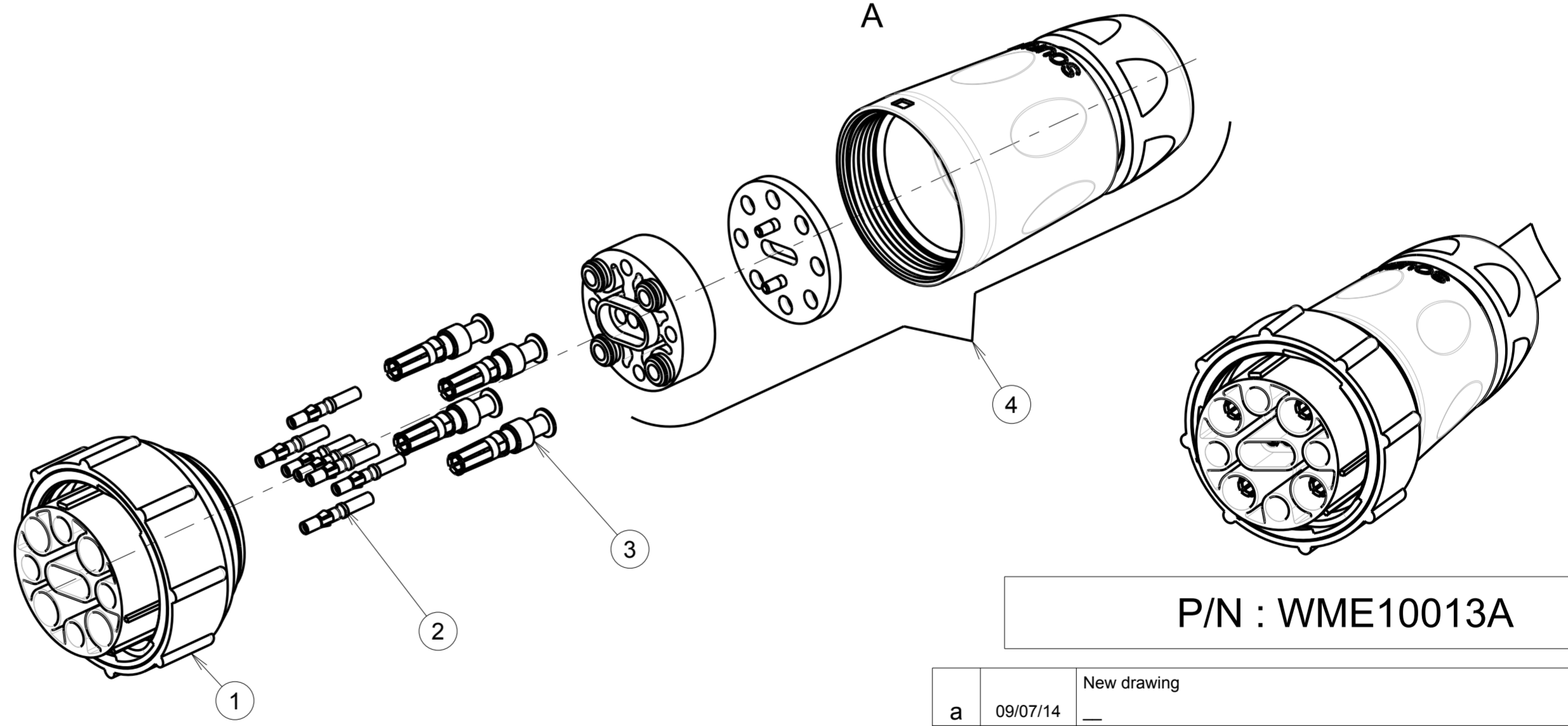
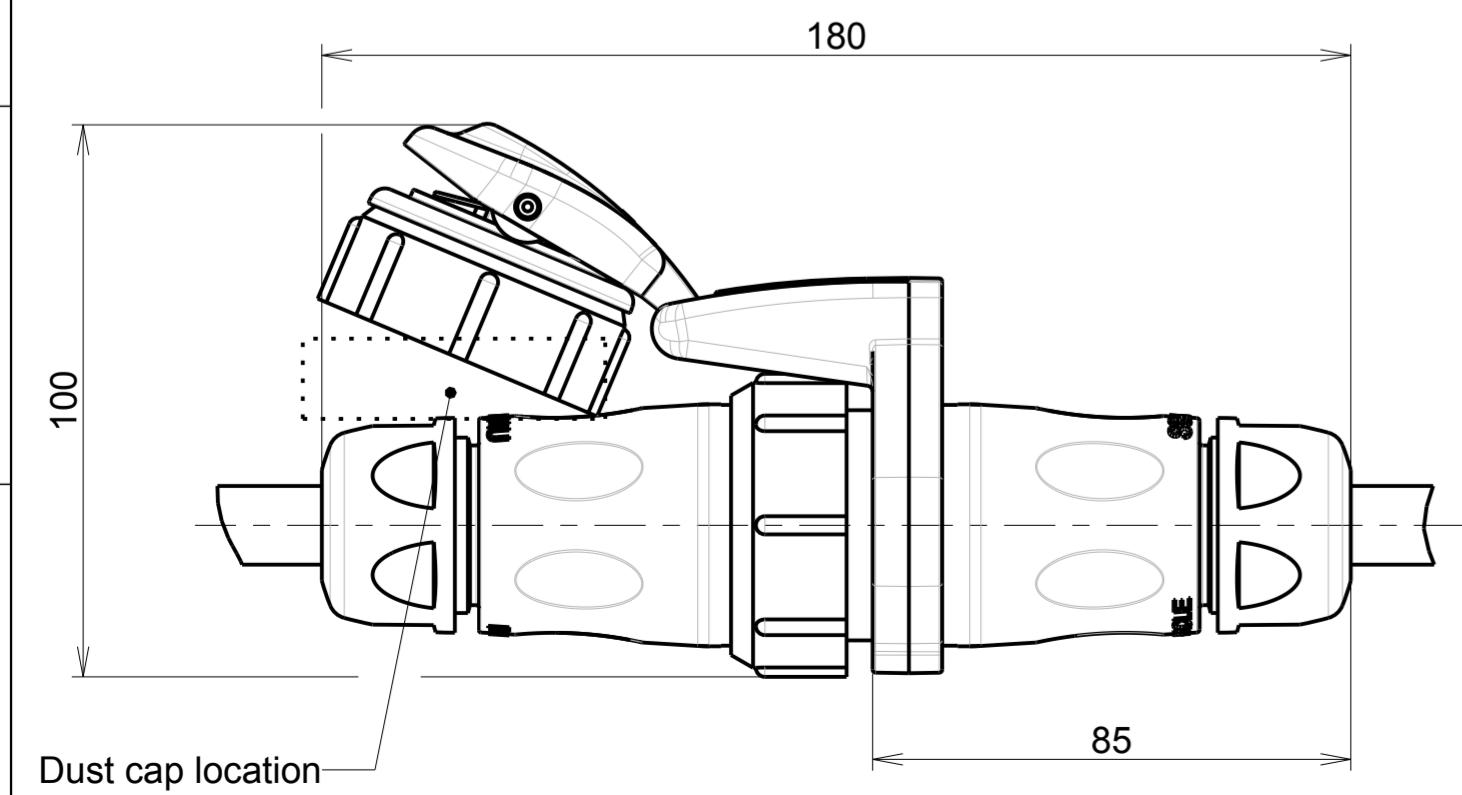


MATERIAL :
 -Body :Thermoplastic PBT GF 30
 -Coupling nut : Thermoplastic PBT GF 30
 -O'ring: NBR
 -Coupling spring : stainless steel
 -Backshell Body :Thermoplastic
 -Nut : Thermoplastic
 -Seal : Neopren
 -Grommet : Silicone
 -Spacer : PA66

PERFORMANCE CHARACTERISTICS:
 -Operating temperature : -30° up to +85°
 -Test potential: 800 V
 -Insulation resistance : 5 Gohms under 500V
 -Operating voltage : 28V (for #8) and 24V (for #16)
 -Rated current : 26A (for #8) et 13A (for #16)
 -Contact resistance : <5 mohms by contact (for #8) and <6 mohms (for #16)
 -Durability:100 matings and unmatings
 -This cap is a water and dust protected version.
 -Level sealing : IP69K (mated connector only)
 -Salt spray : 500H

NOTES :
 -Contact are delivered separately
 -The plug is defined according to EN 16330 and Compliance Matrix N°13113

ASSEMBLY DIMENSION
(for information only)



P/N : WME10013A

REP	P/N	DESCRIPTION	COMMENTS	QTY
1	WME10002A	Plug size 24-11	Female type	1
2	RC16M23K	SOCKET #16	Delivered separately	7
3	82913602A	SOCKET #8	Delivered separately	4
4	WME10011A	Plug Backshell	Delivered with Grommet and Spacer	1

a	09/07/14	New drawing		23017SPR
ISS	DATE	Latest modification - by: --		MOD N°
Designed by: J.FEURPRIER		Date: 09/07/14	CUSTOMER DRAWING	
TITLE		PLUG SIZE 24 WITH BACKSHELL WME CONNECTOR		
Scale	1/1	General linear Tolerances: ± 0.2	NPRDS / PROJECT IC131707A	
SOURIAU		WWW.SOURIAU.COM		This document is the property of SOURIAU It must not be reproduced or communicated without permission
FORMAT	A2	SOURIAU DRG N° WME1-0013A-C01		SHEET 1 / 1