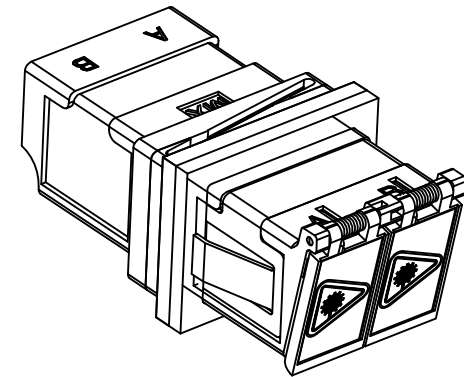
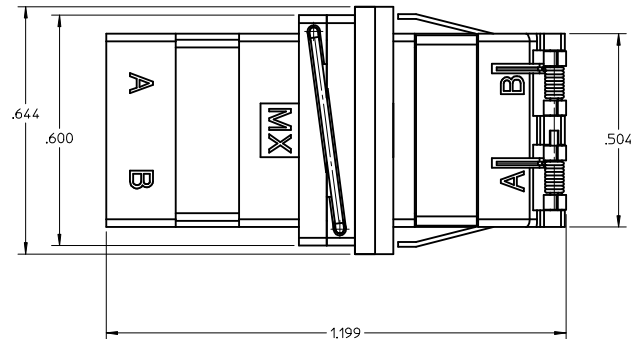


RECOMMENDED PANEL CUTOUT
PANEL THICKNESS - .063"



NOTES:

1. ALL DIMENSIONS ARE FOR REFERENCE ONLY EXCEPT WHEN MARKED WITH (*).
2. EMI GASKET IS SUPPLIED WITH PART.
3. PART IS DIECAST.
4. DUST CAP IS NOT SHOWN.
5. ADAPTERS TO BE PACKAGED IN TRAY.

| ENTER DESCRIPTION EC NO: MF2010-0005 DRW: DRWINKPEVZNER CHKD: 2009/07/22 APPR: IGUMIN 2009/07/23 REVISION: A3 | QUALITY SYMBOLS ▽=0 ▽=0 | GENERAL TOLERANCES (UNLESS SPECIFIED) | | DIMENSION STYLE INCH ONLY | | SCALE | DESIGN UNITS INCH | THIRD ANGLE PROJECTION | | | | | | | | | | | | | | | | | |
|--|-------------------------------|---|--------|---------------------------------------|----|---|----------------------|------------------------|---------|----------|--------|---------|----------|--------|---------|---------|--------|---------|---------------------|--|--------------------|---|--|--|--|
| | | <table border="1"> <thead> <tr> <th></th> <th>mm</th> <th>INCH</th> </tr> </thead> <tbody> <tr> <td>4 PLACES</td> <td>± .005</td> <td>± .0005</td> </tr> <tr> <td>3 PLACES</td> <td>± .004</td> <td>± .0004</td> </tr> <tr> <td>2 PLACES</td> <td>± .003</td> <td>± .0003</td> </tr> <tr> <td>1 PLACE</td> <td>± .002</td> <td>± .0002</td> </tr> </tbody> </table> | | | mm | INCH | 4 PLACES | ± .005 | ± .0005 | 3 PLACES | ± .004 | ± .0004 | 2 PLACES | ± .003 | ± .0003 | 1 PLACE | ± .002 | ± .0002 | DRAWN BY PGIBLIN | | DATE 2005/12/09 | TITLE LC-D EMI ADAPTER (SNAP MOUNT, W/SHUTTERS) | | | |
| | | | mm | INCH | | | | | | | | | | | | | | | | | | | | | |
| | | 4 PLACES | ± .005 | ± .0005 | | | | | | | | | | | | | | | | | | | | | |
| 3 PLACES | ± .004 | ± .0004 | | | | | | | | | | | | | | | | | | | | | | | |
| 2 PLACES | ± .003 | ± .0003 | | | | | | | | | | | | | | | | | | | | | | | |
| 1 PLACE | ± .002 | ± .0002 | | | | | | | | | | | | | | | | | | | | | | | |
| APPROVED BY MATERIAL NO. 1061152900 | | DATE | | DOCUMENT NO. SD-106115-2900 | | SHEET NO. 1 OF 1 | | | | | | | | | | | | | | | | | | | |
| DRAFT WHERE APPLICABLE MUST REMAIN WITHIN DIMENSIONS | | ANGULAR ±1/2° | | SIZE C | | THIS DRAWING CONTAINS INFORMATION THAT IS PROPRIETARY TO MOLEX INCORPORATED AND SHOULD NOT BE USED WITHOUT WRITTEN PERMISSION | | | | | | | | | | | | | | | | | | | |