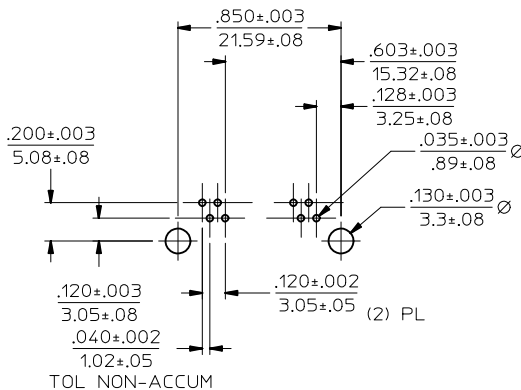
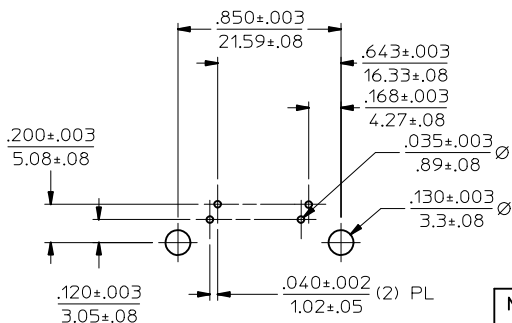


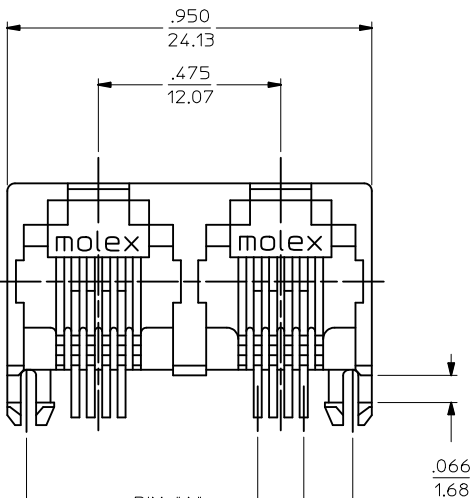
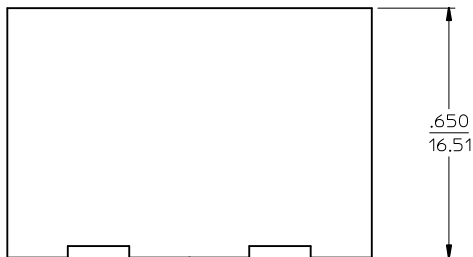
**P.C. BOARD LAYOUT
6 LOADED 6 ASSEMBLY
COMPONENT SIDE OF BOARD
SCALE: 2X**



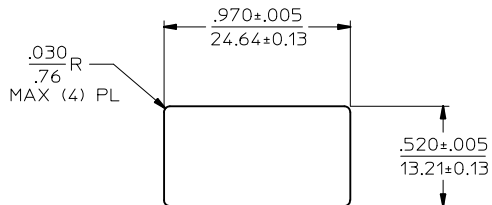
**P.C. BOARD LAYOUT
6 LOADED 4 ASSEMBLY
COMPONENT SIDE OF BOARD
SCALE: 2X**



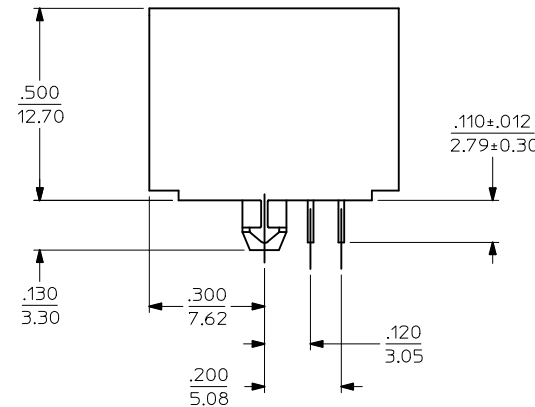
**P.C. BOARD LAYOUT
6 LOADED 2 ASSEMBLY
COMPONENT SIDE OF BOARD
SCALE: 2X**



**6 LOADED 4
ASSEMBLY SHOWN**



**PANEL CUTOUT
SCALE: 2X**



NOTES:

- 1) MATERIAL:
HOUSING: NYLON(IPA), GLASS FILLED, UL94V-0, COLOR: SEE CHART
TERMINALS: PHOSPHOR BRONZE, .015/(0.38) THICK
- 2) FINISH:
TERMINALS:
SELECT GOLD IN CONTACT AREA: 50 MICROINCHES MIN.,
*SELECT TIN IN PC TAIL AREA: 100 MICROINCHES MIN.,
WITH OVERALL NICKEL UNDERPLATE: 50 MICROINCHES MIN.
*THE PRIMARY SHIPPING CARTON WILL BE LABELED "COMPLIANT TO RoHS
DIRECTIVE 2002/95/EC AND ELV ANNEX II OF DIRECTIVE 2000/53/EC".
CARTONS WITHOUT THIS LABEL MAY CONTAIN PRODUCT WITH TIN-LEAD
IN THE PC TAILS.
- 3) PRODUCT SPECIFICATION AND PROCESSING PARAMETERS: PS-43860-003.
- 4) PACKAGING SPECIFICATION:
CONNECTOR ASSEMBLIES PACKAGED IN EXTRUDED TUBES PER MOLEX
PACKAGING SPECIFICATION PK-43685-005.
- 5) THIS PART CONFORMS TO CLASS B REQUIREMENTS OF COSMETIC
SPECIFICATION PS-45499-002.
- 6) RECOMMENDED PCB THICKNESS: .062±.005/1.57±0.13

MATERIAL NUMBER	CIRCUITS PER PORT	DIM "A"
438146621	6	.200/5.08
438146421	4	.120/3.05
438146221	2	.040/1.02

REV	DESCRIPTION	DATE
F3	ADD TOLERANCES EC NO: UCP2012-1334 DRAWN: NGUYEN CHKD: BELL APPR: FSM/TH	2011/10/25 2011/10/25 2011/10/26

QUALITY SYMBOLS	GENERAL TOLERANCES (UNLESS SPECIFIED)
▽=0	
▽=0	
	mm INCH
	4 PLACES ± --- ± ---
	3 PLACES ± --- ± .10
	2 PLACES ± .25 ± .04
	1 PLACE ± .36 ± ---
	ANGULAR ±1/2°
	DRAFT WHERE APPLICABLE MUST REMAIN WITHIN DIMENSIONS

DIMENSION STYLE		SCALE	DESIGN UNITS	THIRD ANGLE PROJECTION
IN/MM		---	INCH	☉
DRAWN BY	DATE	TITLE		
L. LENZ	1996/12/10	INVERTED DUAL PORT RIGHT ANGLE MODULAR JACK ASSEMBLY		
CHECKED BY	DATE	MOLEX INCORPORATED		
ROBERTS	1996/12/10	MATERIAL NO. SEE CHART		
APPROVED BY	DATE	DOCUMENT NO. SD-43814-001		
FRY	1996/12/10	SHEET NO. 1 OF 1		
THIS DRAWING CONTAINS INFORMATION THAT IS PROPRIETARY TO MOLEX INCORPORATED AND SHOULD NOT BE USED WITHOUT WRITTEN PERMISSION				