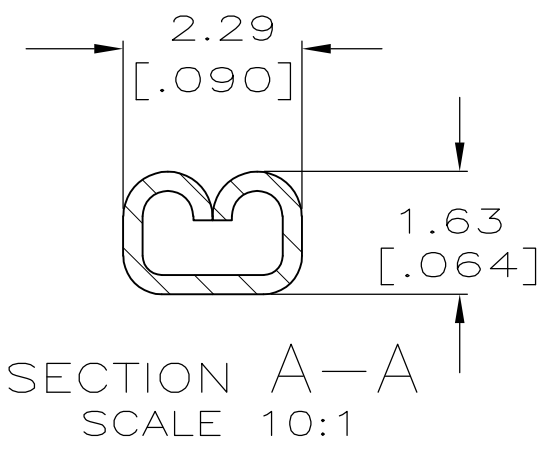
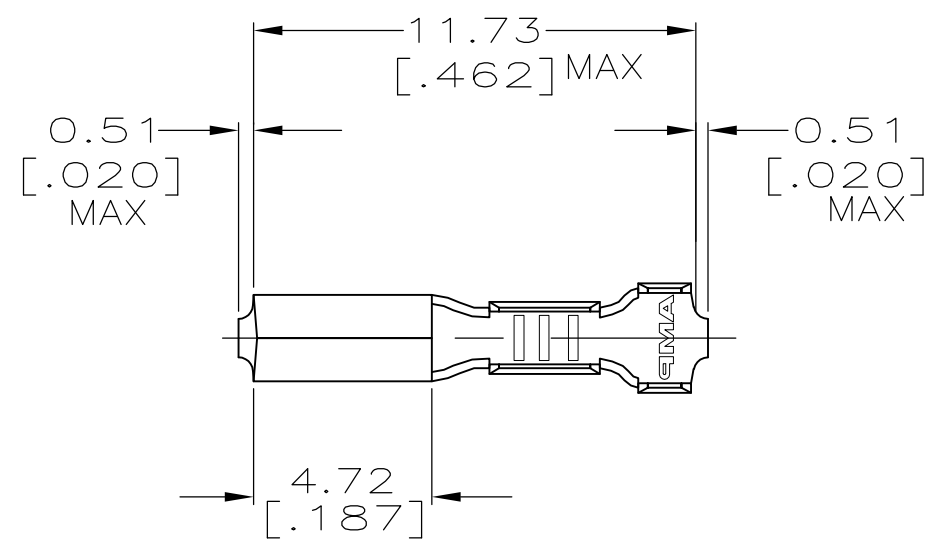
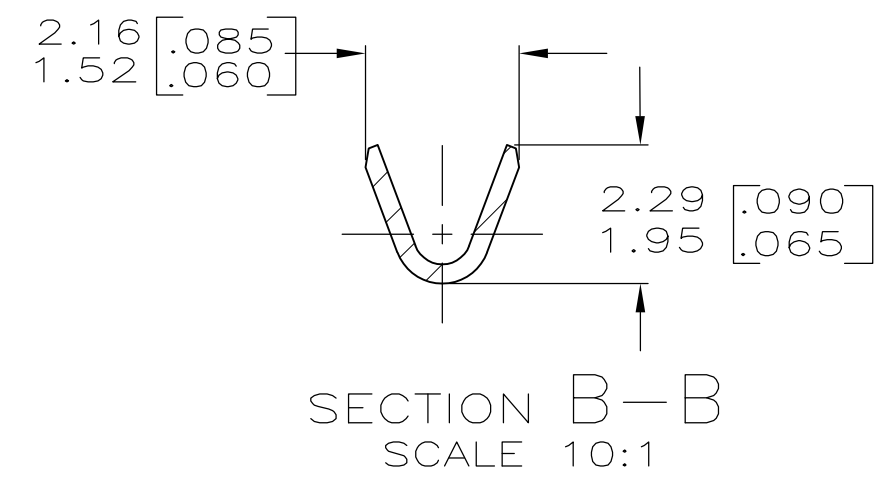
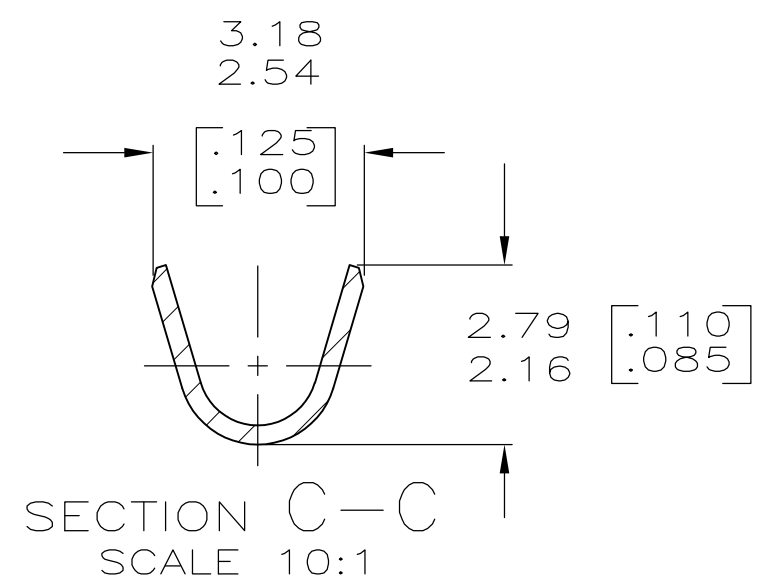
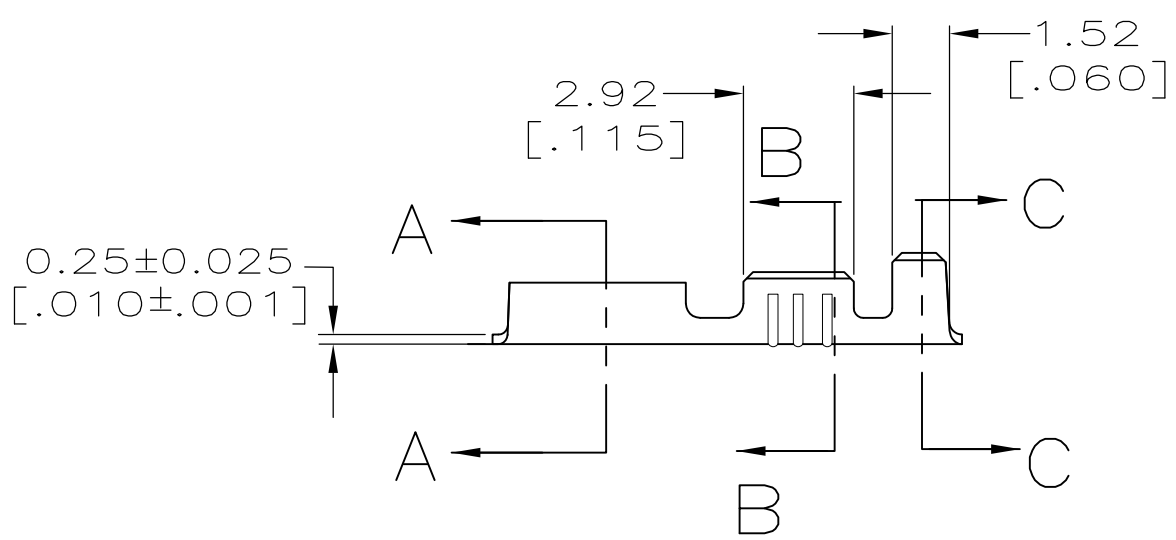


THIS DRAWING IS UNPUBLISHED. RELEASED FOR PUBLICATION  
 © COPYRIGHT - By - ALL RIGHTS RESERVED.

LOC	DIST	REVISIONS					
AF	50	P	LTR	DESCRIPTION	DATE	DWN	APVD
			B	REVISED PER ECR-12-013459	28NOV2012	KH	PD



- 1 SUPPLIED IN LOOSE PIECE.
- 2 MATING TAB SIZE IS  $0.79 \pm 0.025$  BY  $1.57 [0.031 \pm 0.001]$  BY  $.062$ .
- 3 WIRE SIZE IS  $[\#24-\#20]$  AWG.
- 4 INSULATION RANGE IS 1.02-2.03  $[\.040-.080]$  DIA.



60900-1	61454-1
SRTIP NO.	PART NO.

THIS DRAWING IS A CONTROLLED DOCUMENT.		DWN	JR RUTH	8/12/97	TE Connectivity RECEPTACLE, TAB, WRAP TYPE					
DIMENSIONS: mm [INCHES]		CHK	MS FEHER	8/12/97				NAME		
TOLERANCES UNLESS OTHERWISE SPECIFIED:		APVD	J HUZVAR	8/12/97				SIZE		
0 PLC ± - 1 PLC ± - 2 PLC ± 0.25 [.010] 3 PLC ± - 4 PLC ± - ANGLES ± -		PRODUCT SPEC		CAGE CODE				DRAWING NO	RESTRICTED TO	
MATERIAL		FINISH		WEIGHT		A300779		C-61454		
BRASS		0.002032 [.000080] MIN TIN		-		CUSTOMER DRAWING		SCALE	5:1	
						SHEET		1 OF 1		
								REV		
								B		