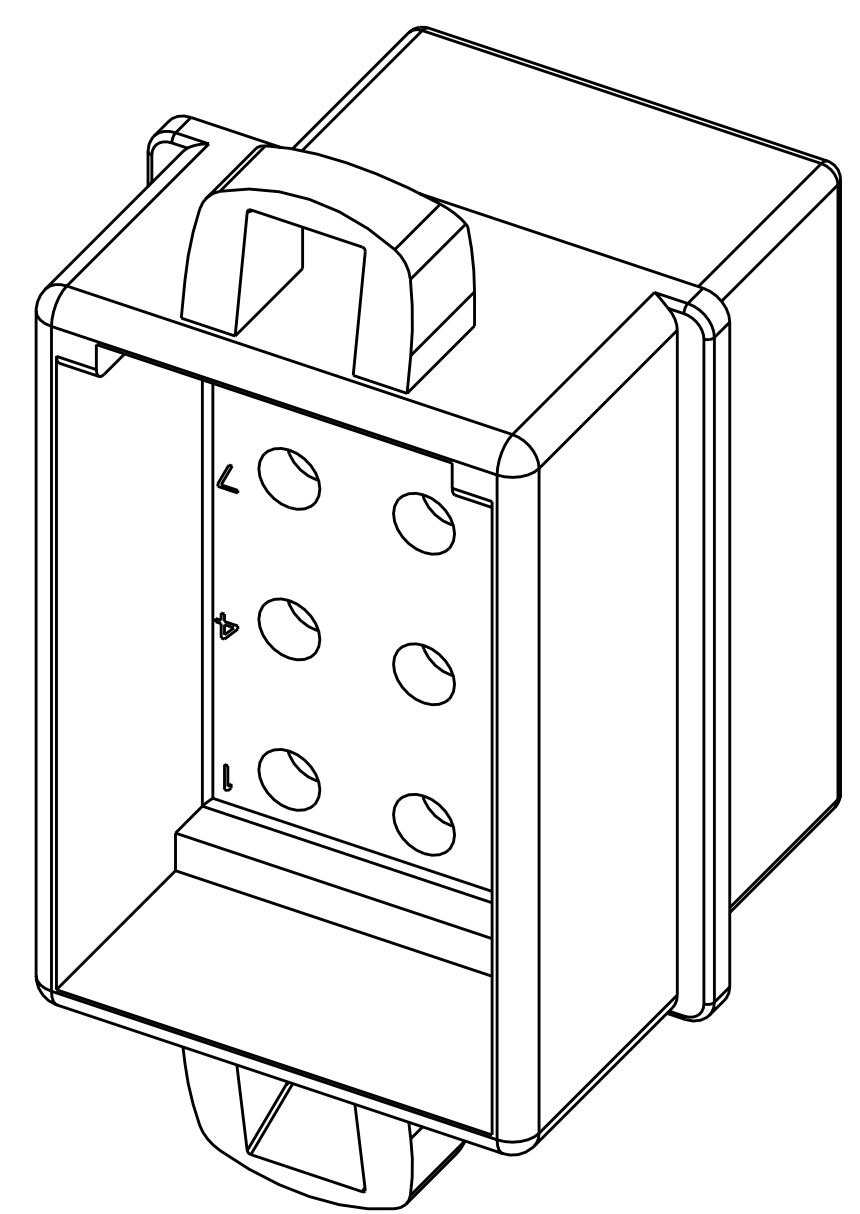
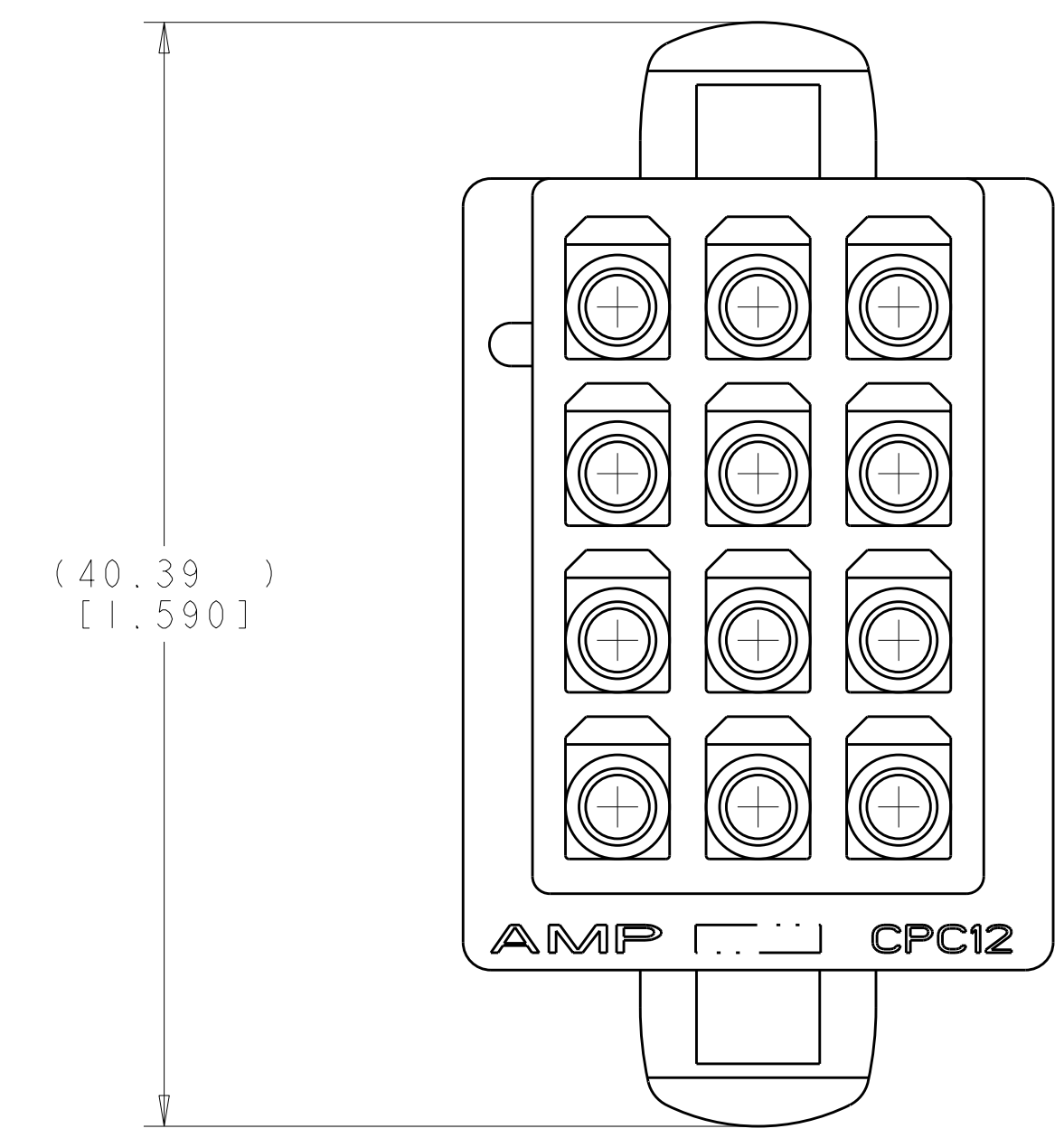
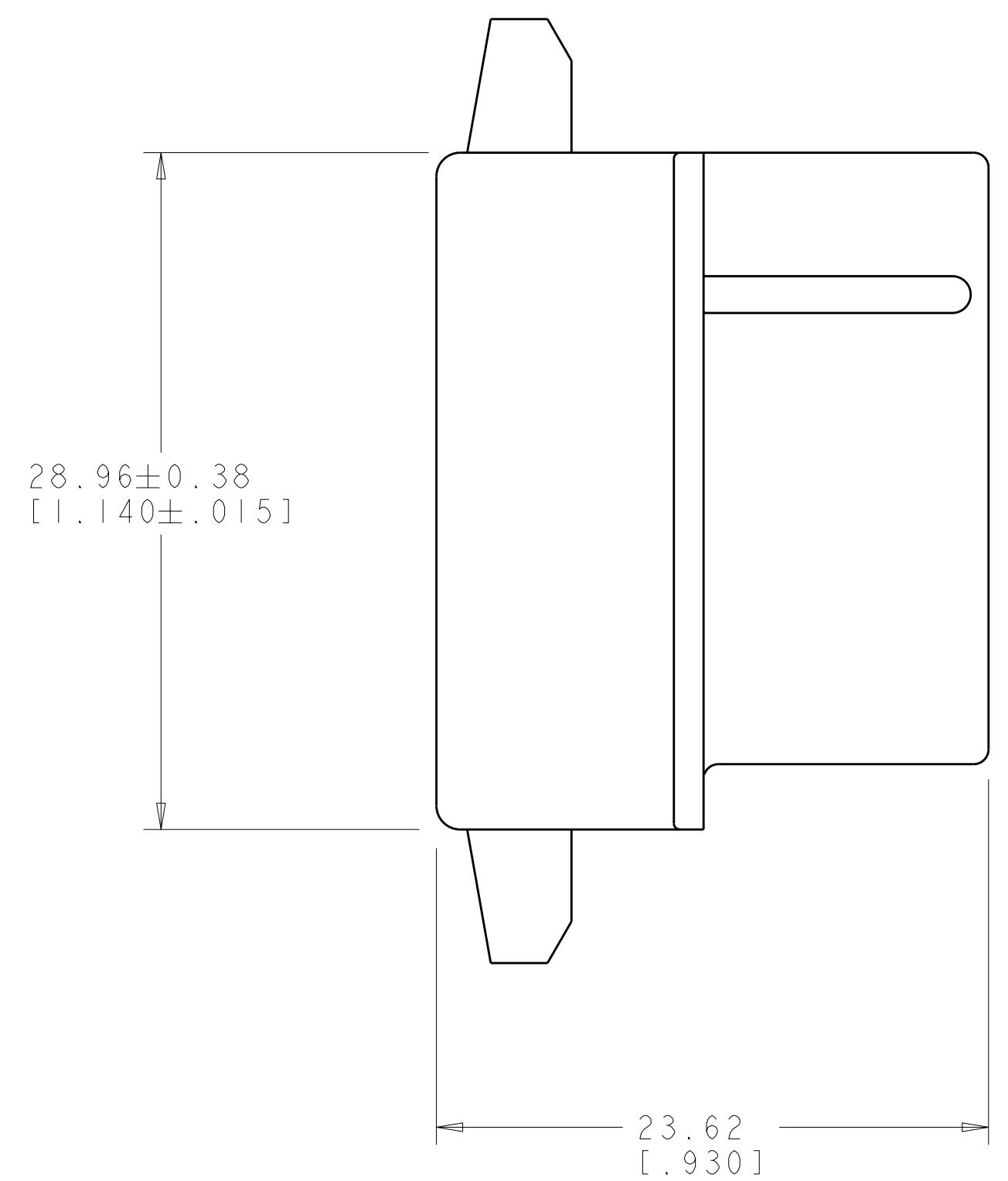
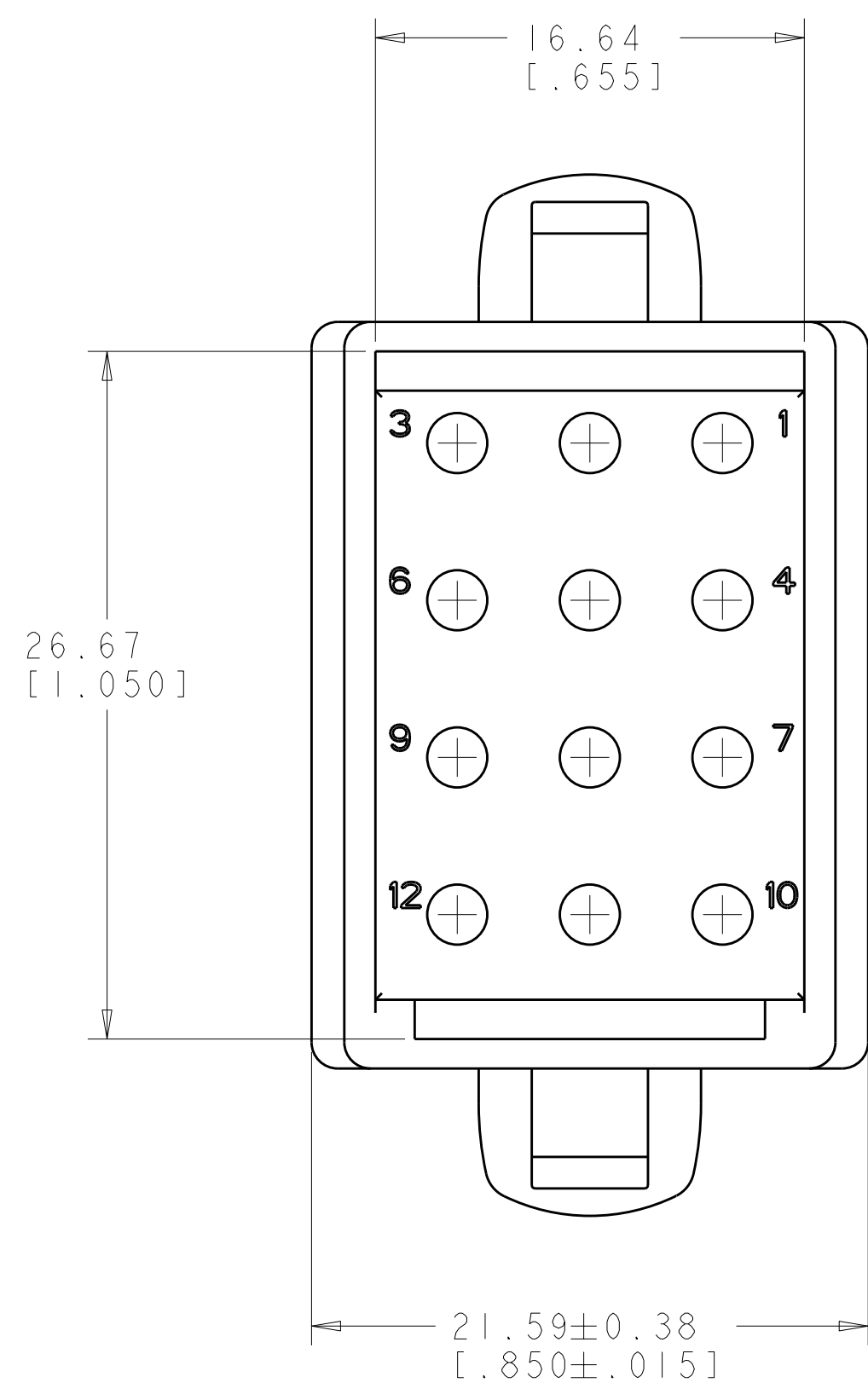


LOC	DIST	REVISIONS					
CM	00	P	LTB	DESCRIPTION	DATE	DWN	APVD
		L		ECO-08-007186	19MAR2008	KW	CC

1. TO BE USED WITH APPROPRIATE COMMERCIAL MATE-N-LOK™ PINS.
2. THIS CAP TO BE USED WITH PLUG 480275.



0.324 IN ³	1-480278-0
VOLUME	PART NUMBER

<small>THE PRESENCE OF A CHECKED TOLERANCE FROM THIS ELECTRONIC CORPORATION INDICATES THAT IT IS SUBJECT TO CHANGE FOR IMPROVING OR CORRECTING DESIGNATION SHOULD BE CONTACTED FOR THE LATEST REVISION.</small>		DWN: R. WHITAKER 19MAR2008 CHK: C. CASH 19MAR2008 APVD: C. CASH 19MAR2008	Tyco Electronics Harrisburg, PA 17105-3608
DIMENSIONS: mm [INCHES]	TOLERANCES UNLESS OTHERWISE SPECIFIED: 9 PLC ± 1 PLC ± 2 PLC ±0.13 [0.005] 3 PLC ± 4 PLC ± ANGLES ±1°	NAME: CAP, 12 CIRCUIT, MATE-N-LOK (TM) PRODUCT SPEC: APPLICATION SPEC: WEIGHT: FINISH:	SIZE: A 00779 C=480278 DRAWING NO: RESTRICTED TO:
MATERIAL: NYLON, NATURAL		CUSTOMER DRAWING	
		SCALE: 4:1	SHEET 1 OF 1 REV L

