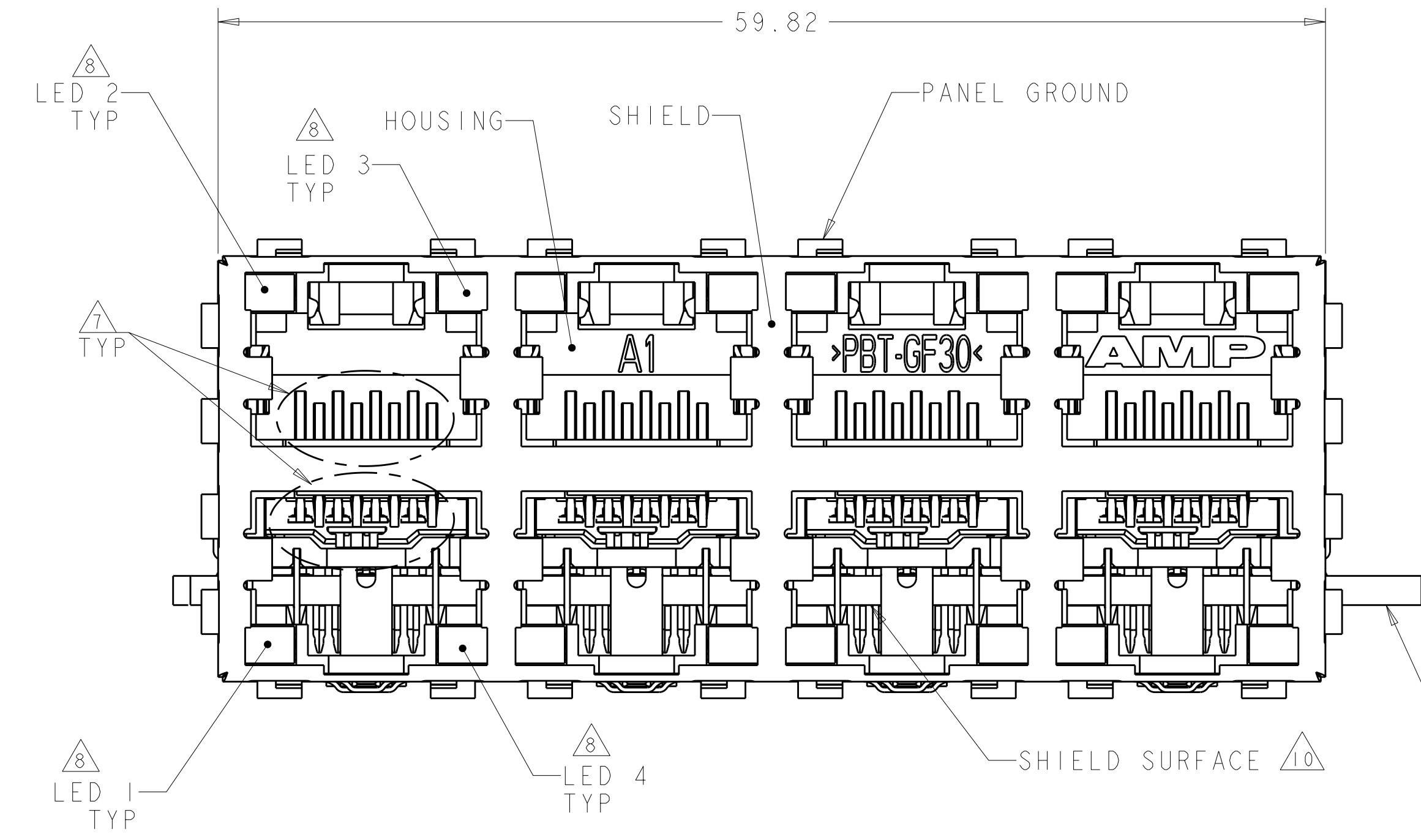
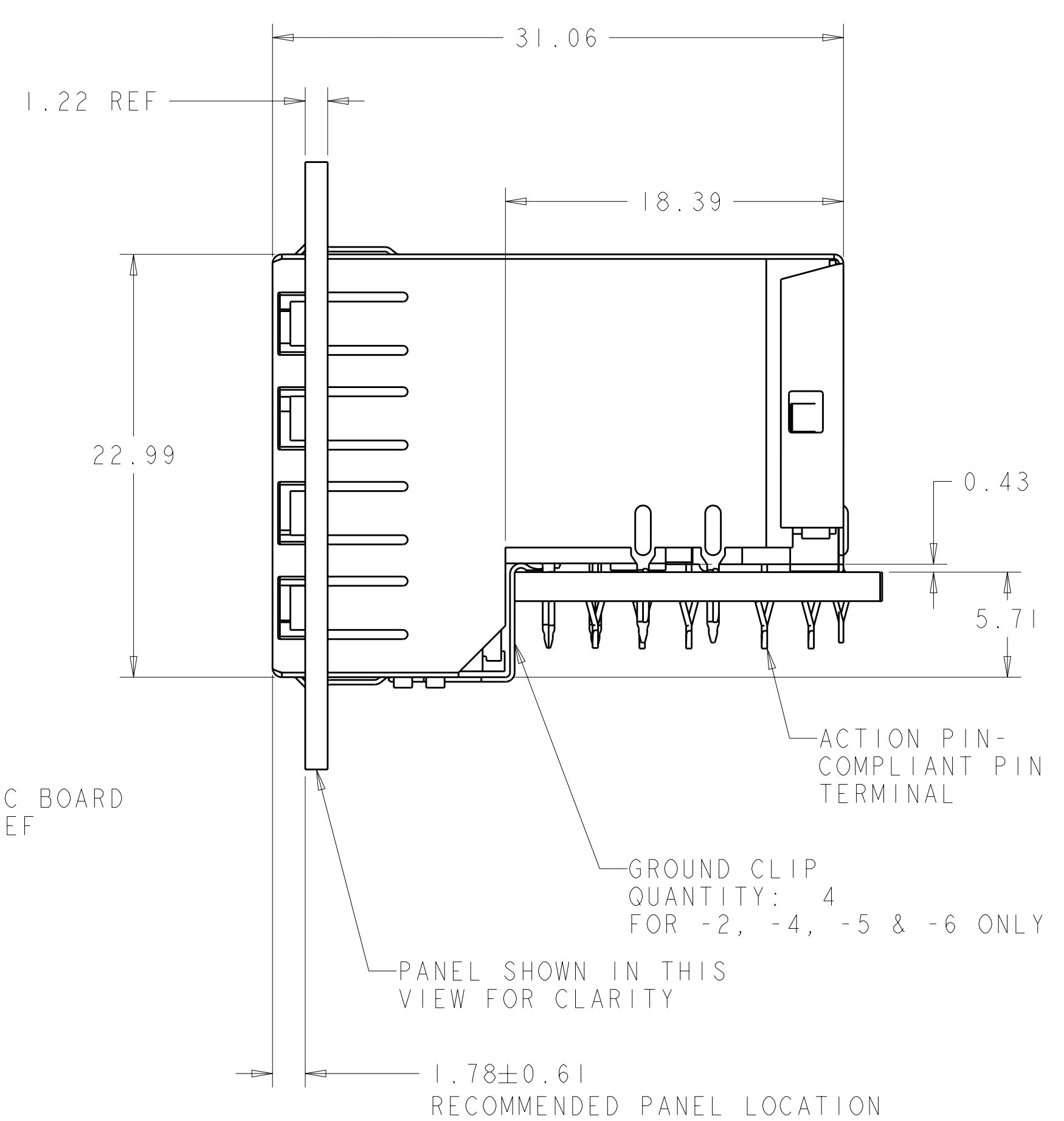


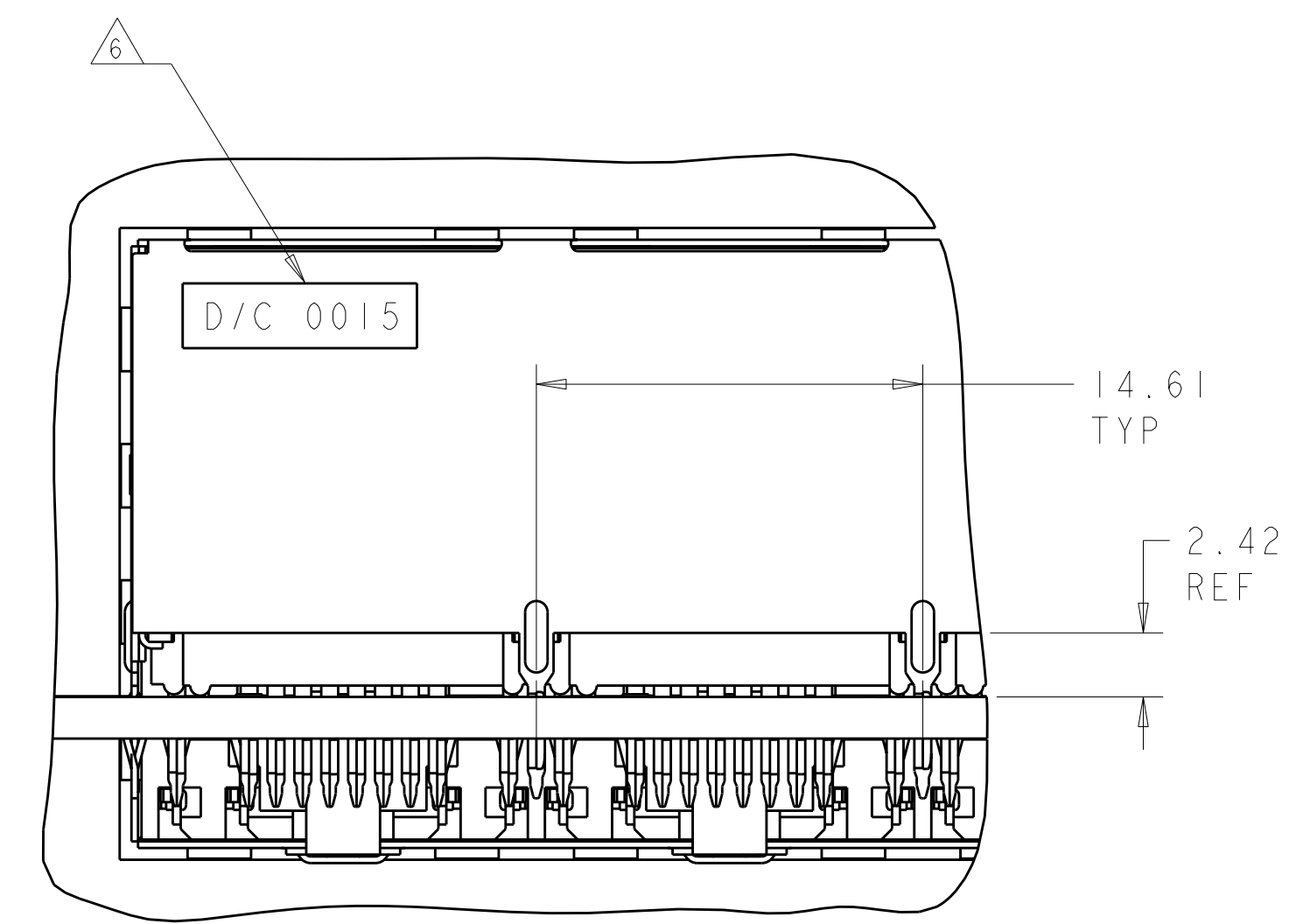
LOC	DIST	REV	DATE	BY	APPD
AA	22				
C4		ECR-12-003298	13FEB2012	JJ	AC



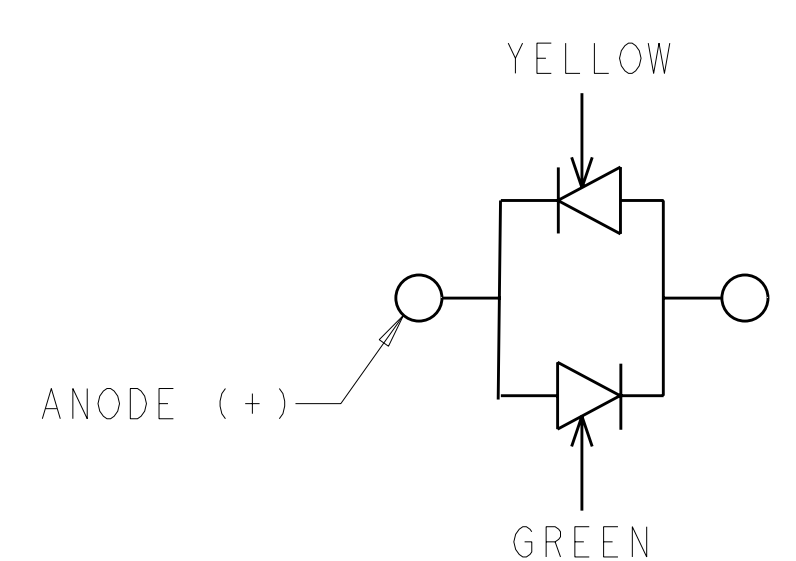
P/N 6368062-2 SHOWN



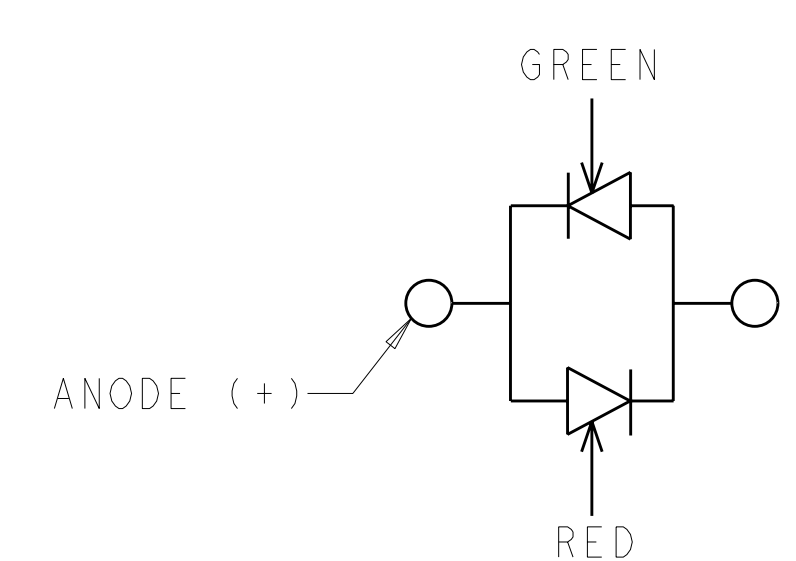
- MATERIAL:  
**HOUSING**  
 PBT POLYESTER, BLACK, UL 94V-0.  
**TERMINALS**  
 0.33 THICK PHOSPHOR BRONZE PLATED WITH 1.27µm MINIMUM THICK HARD GOLD IN LOCALIZED AREA AND 3.81µm MINIMUM THICK MATTE TIN IN ACTION PIN COMPLIANT PIN TERMINAL AREA OVER 1.27µm MINIMUM THICK NICKEL UNDERPLATE.  
**SHIELD**  
 0.25 THICK COPPER ALLOY PLATED WITH 2.03µm MINIMUM BRIGHT TIN OVER 1.27 µm MINIMUM NICKEL  
**LIGHT EMITTING DIODE (LED)**  
 DIFFUSED EPOXY LENS, 12.95 CARBON STEEL WIREFRAME LEADS PREPLATED WITH 8.89 µm THICK Sn/Cu OVER 2.03 µm THICK Ag OVER 1.02 µm THICK Cu OVER 3.56 µm THICK Ni OVER 1.02 µm THICK Cu UNDERPLATE  
**LED ACTION PIN - COMPLIANT PIN CONTACTS**  
 0.3 THICK BRASS PLATED WITH 2-4µm BRIGHT TIN.
- JACK CAVITY CONFORMS TO FCC RULES AND REGULATIONS, PART 68 SUBPART F.
- ALL DIMENSIONS ARE NOMINAL UNLESS OTHERWISE SPECIFIED.
- DRILLED HOLE DIA = 1.02±.025.  
 COPPER THICKNESS = 0.025-0.075.  
 TIN LEAD THICKNESS = 0.008 MIN.
- DATUMS AND BASIC DIMENSIONS ESTABLISHED BY CUSTOMER.
- DATE CODE LOCATED ON REAR OF PART APPROXIMATELY AS SHOWN.
- CONTACTS ARE NOT INTENDED TO BE ALIGNED WITH EACH OTHER.
- SUGGESTED OPERATING CURRENT FOR LEDS IS 20 mA.
- TWO LEDS PER PORT, SIZE .079 X .118, SEE TABLE FOR COLOR
- CLEAR 0.038 MIN THICK SURFACE PROTECTION TAPE APPLIED TO SHIELD SURFACE. FILM DOES NOT HAVE CUTOUTS IN EACH PORT. REMOVE TAPE PRIOR TO MATING A MODULAR PLUG TO THE JACK
- MATERIAL:  
**SHIELD**  
 0.25 THICK COPPER ALLOY PLATED WITH 1.27 µm MINIMUM SATIN NICKEL.
- THE PART NUMBER 6368062-7 IS PRELIMINARY.
- ONLY FOR 6368062-8 CONTACT AREA LUBRICATED WITH BELLCORE APPROVED LUBRICANT TECHNICAL REFERENCE GR-1217-CORE ISSUE 1, NOVEMBER 1995.



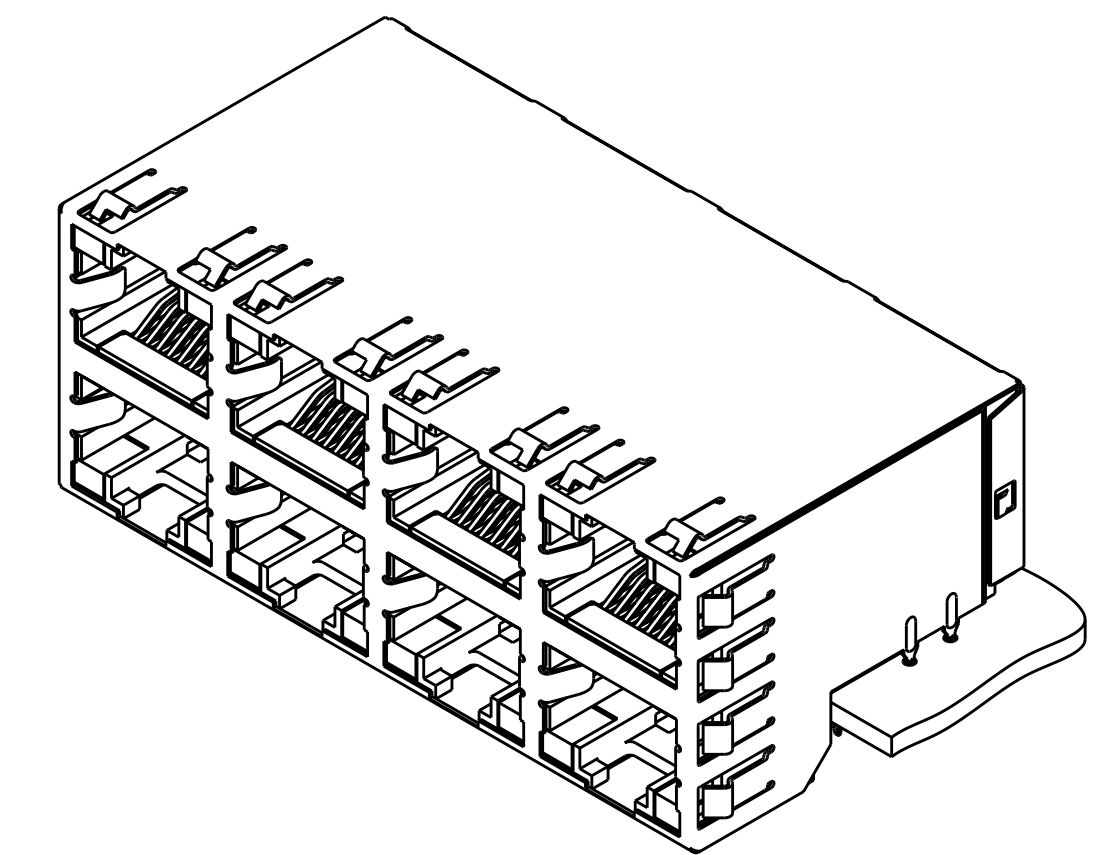
PARTIAL BACK VIEW



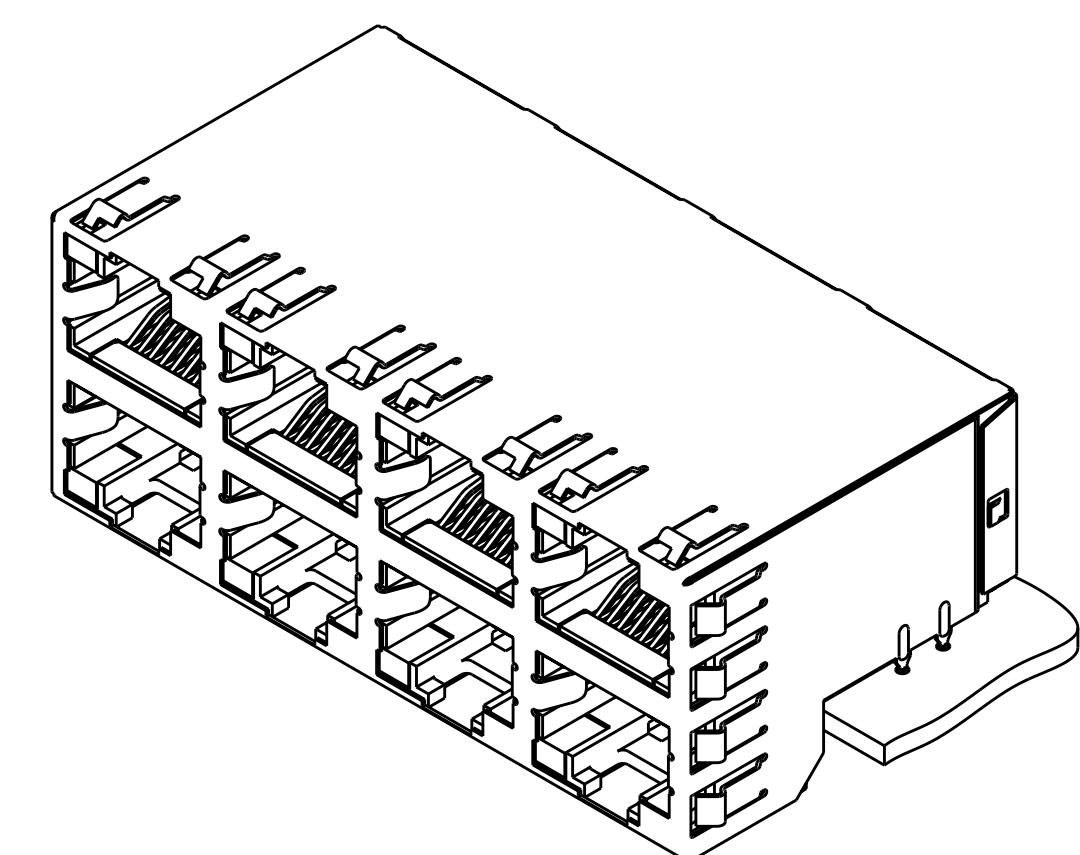
LED CURRENT DIAGRAM 6368062-4, -7



LED CIRCUIT DIAGRAM 6368062-6



P/N 6368062-1, -2, -3, -4, -5, -6, -8 AND 1-6368062-6 SCALE 2:1



P/N 6368062-7 SCALE 2:1

REMARKS	LED #4 (LOWER-RIGHT)	LED #3 (UPPER-RIGHT)	LED #2 (UPPER-LEFT)	LED #1 (LOWER-LEFT)	DESCRIPTION	PART NUMBER
	GREEN	GREEN	GREEN	GREEN	WITHOUT GROUND CLIP	6368062-8
	YELLOW	YELLOW	GREEN	GREEN	WITHOUT GROUND CLIP	1-6368062-6
	N/A	N/A	GREEN/YELLOW	GREEN/YELLOW	WITHOUT GROUND CLIP	6368062-7
	RED/GREEN	RED/GREEN	RED/GREEN	RED/GREEN	WITH GROUND CLIP	6368062-6
	GREEN	GREEN	GREEN	GREEN	WITH GROUND CLIP	6368062-5
	GREEN/YELLOW	GREEN/YELLOW	GREEN/YELLOW	GREEN/YELLOW	WITH GROUND CLIP	6368062-4
	YELLOW	YELLOW	GREEN	GREEN	WITHOUT GROUND CLIP	6368062-3
	GREEN	GREEN	GREEN	GREEN	WITH GROUND CLIP	6368062-2
	GREEN	GREEN	GREEN	GREEN	WITHOUT GROUND CLIP	6368062-1

THIS DRAWING IS A CONTROLLED DOCUMENT.

STE TE Connectivity

NAME: STACKED MODULAR JACK ASSEMBLY, 2x4 OFFSET, WITH LEDS, 8 POSN, RJ45 SHIELDED, PANEL GROUNDS, CAT 5

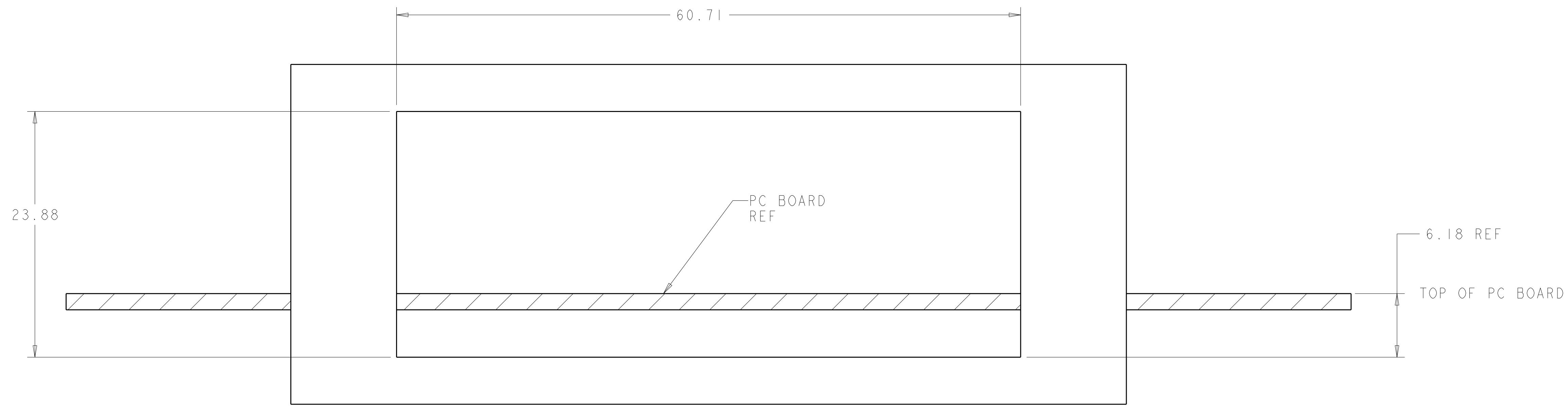
SIZE: 108-1854 APPLICATION SPEC

SCALE: 4:1 SHEET 1 OF 2

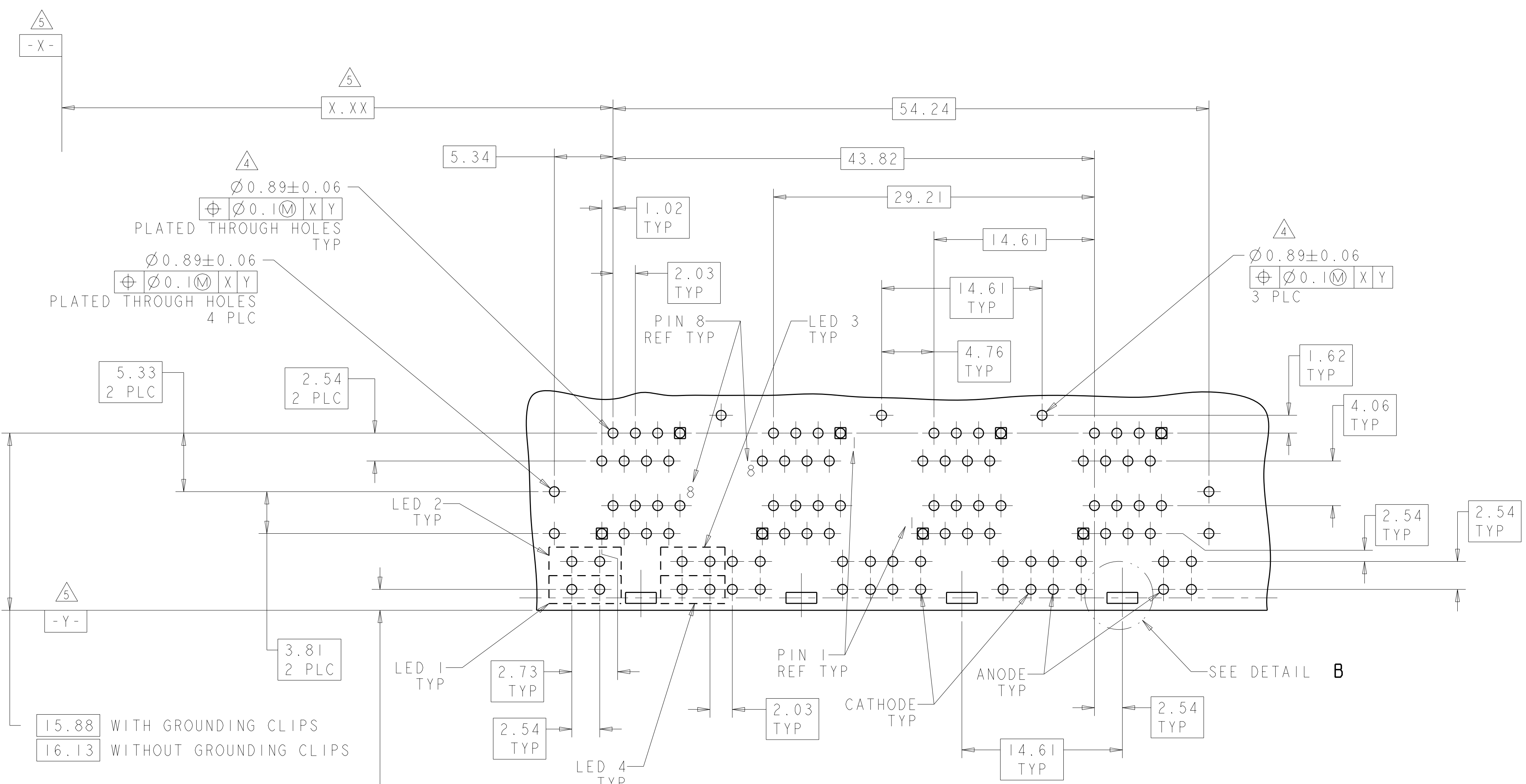
LOC	DIST	REV	DATE	BY	APPD
AA	22				

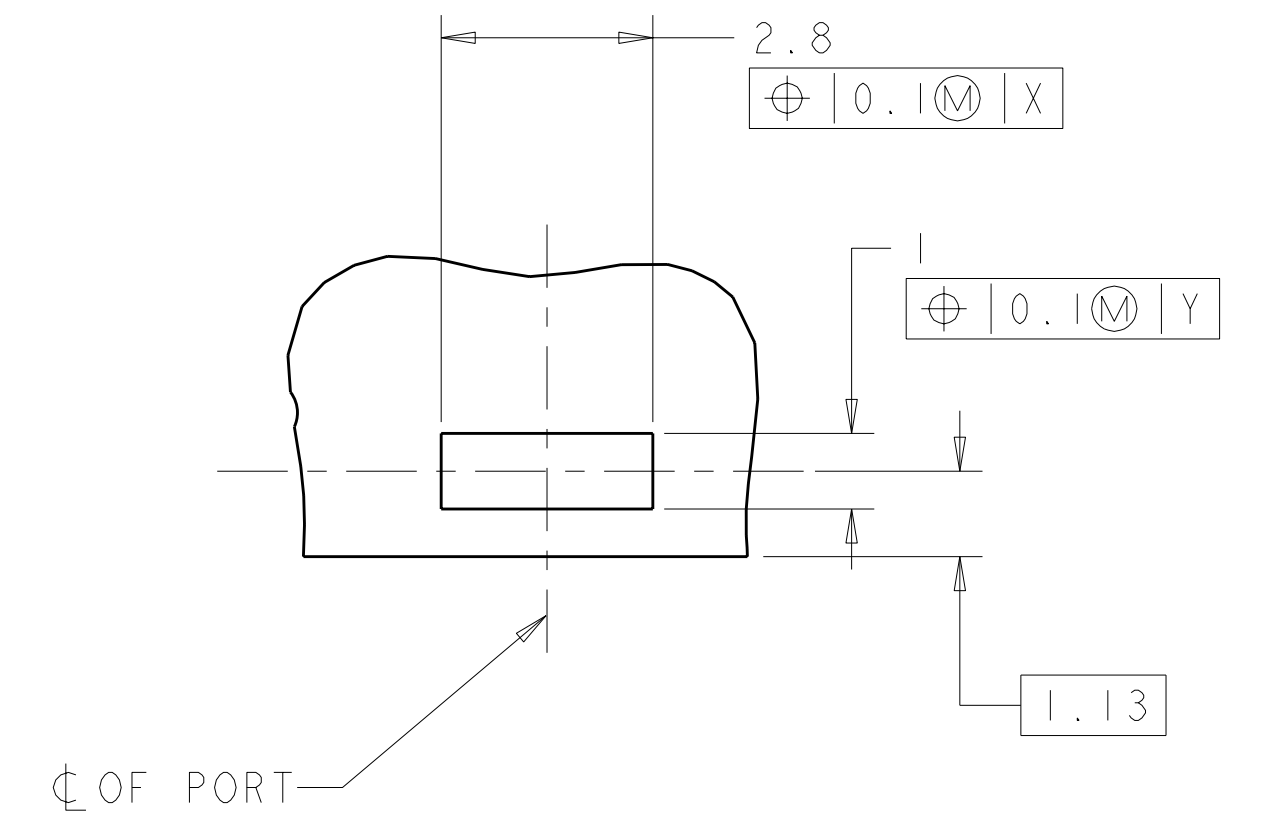
REVISIONS			
REV	DATE	BY	APPD
-	-	-	-
-	-	-	-



RECOMMENDED PANEL CUT-OUT



PC BOARD LAYOUT (COMPONENT SIDE)  
LED #3, #4 NOT REQUIRED FOR 6368062-7



DETAIL B  
PLATED PADS REQUIRED FOR 6368062-2, -4, -5 & -6 (PRODUCT WITH GROUNDING CLIPS)  
SCALE 10:1  
4 PLACES

PARTS WITH GROUNDING CLIPS = 1.65  
PARTS WITHOUT GROUNDING CLIPS = 1.91

THIS DRAWING IS A CONTROLLED DOCUMENT.		DWN L.A.MAYER 15APR2005	TE Connectivity												
DIMENSIONS: mm		CHK J.WESTMAN 15APR2005													
TOLERANCES UNLESS OTHERWISE SPECIFIED:		APVD S.FLICKINGER 15APR2005	NAME STACKED MODULAR JACK ASSEMBLY, 2x4 OFFSET, WITH LEDS, 8 POSN, RJ45 SHIELDED, PANEL GROUNDS, CAT 5												
<table border="1"> <tr> <td>0 PLC</td> <td>±</td> </tr> <tr> <td>1 PLC</td> <td>±0.13</td> </tr> <tr> <td>2 PLC</td> <td>±0.13</td> </tr> <tr> <td>3 PLC</td> <td>±</td> </tr> <tr> <td>4 PLC</td> <td>±</td> </tr> <tr> <td>ANGLES</td> <td>±1</td> </tr> </table>		0 PLC	±	1 PLC	±0.13	2 PLC	±0.13	3 PLC	±	4 PLC	±	ANGLES	±1	PRODUCT SPEC 108-1854	SIZE CAGE CODE DRAWING NO. A100779
0 PLC	±														
1 PLC	±0.13														
2 PLC	±0.13														
3 PLC	±														
4 PLC	±														
ANGLES	±1														
MATERIAL FINISH		APPLICATION SPEC 114-2160	RESTRICTED TO												
		WEIGHT	SCALE 4:1 SHEET 2 OF 2 REV C3												
		CUSTOMER DRAWING													