



### Key Features

- Quad band GSM & 3G frequencies
- Long distance transmission
- 51mm length - compact size
- SMA male connector
- Groundplane independent
- RoHS compliant

### General Description

The Delta 1D Multiband antenna combines good performance in a small size with very wide operating temperature range. The Delta 1D can be used with any GPRS or 3G equipment and is a physically robust antenna at a great price point.

Terminated with an SMA male connector, it is ideally suited to applications requiring a simple, cable free set up, such as Point of Sale, metering or alarm panel equipment; as well as being a popular addition to radio manufacturers evaluation kits.

The helical radiating element is not overmoulded with plastic. The plastic cap is fitted over the radiating element merely ensuring a consistent performance from antenna to antenna.

The Delta 1D is a popular antenna for customers requiring a straightforward to fit, versatile product, that is qualified and used with many of today's GSM / GPRS and 3G / UMTS terminals and manufacturers of wireless communication equipment.

### Additional Considerations

- Ensures antenna can be discretely mounted
- Fits to many popular GSM / GPRS and 3G / UMTS terminal equipment
- Designed for GSM system, Wireless bridge or M2M systems
- Point to point and Point to multipoint applications
- Does not rely on mounting on metallic surface
- Meets all EU compliance criteria for electronic goods

Rev 1.0

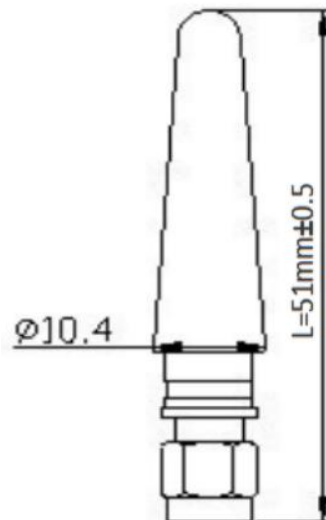
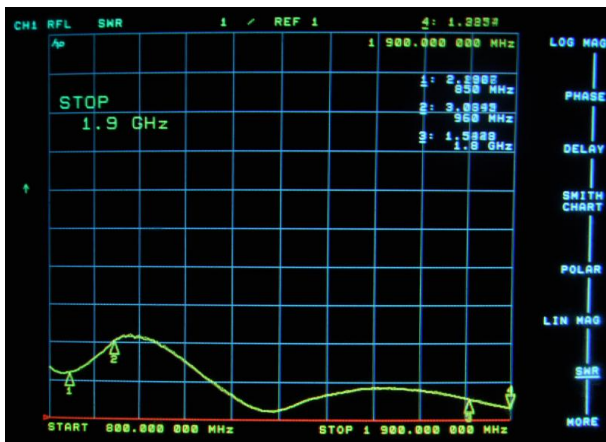
#### Key Specifications - Electrical

Operating temperature range:	-40 to +85°C
Storage temperature range:	-40 to +85°C
Impedance:	50 ohm
Gain:	2.0dBi
VSWR:	2.0 Max
Operating frequencies:	GSM: 800, 900, 1800, 1900MHz 3G: 2100MHz
Radiation:	Omni
Polarization:	Linear

#### Key Specifications - Mechanical

Dimensions:	52 x 10.4mm
Connector:	SMA male
Mounting method:	Direct connect
Connector plating:	Gold/Nickel

#### Test Results



#### Ordering Details

Part Number	Description
DELTA1D/SMAM/S/S/34	Stubby Quad Band GSM & 3G Antenna, SMA Male