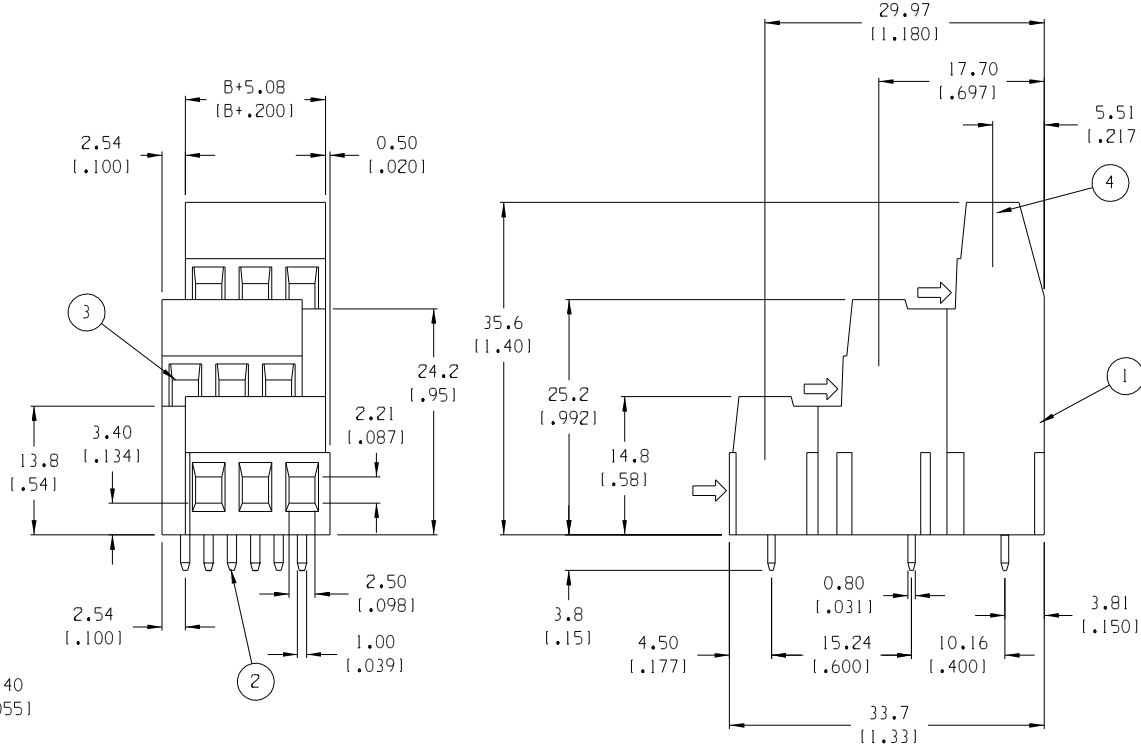
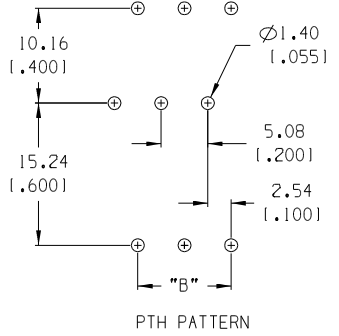


AUX. VIEW
SCALE 1:1
9 CIRCUIT SHOWN



NO. OF CIRCUITS "XX"	DIM. "B"	MATERIAL NO.
06	5.08 [1.200]	39880-0906
09	10.16 [1.400]	39880-0909
12	15.24 [1.600]	39880-0912
15	20.32 [1.800]	39880-0915
18	25.40 [1.000]	39880-0918
21	30.48 [1.200]	39880-0921
24	35.56 [1.400]	39880-0924
27	40.64 [1.600]	39880-0927
30	45.72 [1.800]	39880-0930
33	50.80 [2.000]	39880-0933
36	55.88 [2.200]	39880-0936
39	60.96 [2.400]	39880-0939
42	66.04 [2.600]	39880-0942
45	71.12 [2.800]	39880-0945
48	76.20 [3.000]	39880-0948
51	81.28 [3.200]	39880-0951
54	86.36 [3.400]	39880-0954
57	91.44 [3.600]	39880-0957
60	96.52 [3.800]	39880-0960
63	101.60 [4.000]	39880-0963
66	106.68 [4.200]	39880-0966
69	111.76 [4.400]	39880-0969
72	116.84 [4.600]	39880-0972

- NOTES:
1. MATERIAL: SEE TABLE
 2. FINISHES: SEE TABLE
 3. PRODUCT SPECIFICATION: NOT REQUIRED
 4. PACKAGING: NOT REQUIRED
 5. MATES WITH: NONE
 6. "XX" REFERS TO THE QUANTITY OF CIRCUITS.



ITEM	QTY.	DESCRIPTION	MATERIAL	FINISH
4	XX	SCREW, M3	BRONZE	NICKEL
3	XX	CAGE CLAMP	BRASS	NICKEL
2	XX	TERMINAL	PHOSPHOR BRONZE	HOT TIN DIP
1	1	INSULATOR, 3 LEVEL	POLYAMIDE	BLACK

EC NO. ECN# 3963
 DRWN: CY 12-23-04
 CH'KT
 APPR:
 B

QUALITY SYMBOLS
 MAJOR
 CRITICAL
 SPC
 S

GENERAL TOLERANCES: (UNLESS SPECIFIED)	
4 PLACES	±.0015
3 PLACES	±.038 ±.005
2 PLACES	±.13 ±.01
1 PLACE	±.3
ANGULAR: ±1°	

SCALE 2:1
 DESIGN UNITS mm INCH
 DRAWN BY & DATE R. KEMP 12-4-01
 CHECKED BY & DATE P. WALTZ 12-6-01
 APPROVED BY & DATE L. ROTHHAUS 12-6-01
 CAD FILENAME 8832XX.PRT

PROJECT NO. N/A
 DIMENSIONS: mm INCH mm ONLY
 THIRD ANGLE PROJECTION
 TITLE: 5.08mm [1.200"] EUROSTYLE MID, THREE LEVEL FIXED BLOCK
 MOLEX INCORPORATED
 MATERIAL NO. SEE CHART
 DRAWING NO. SD-39880-009
 SHEET NO. 1 OF 1
 THIS DRAWING CONTAINS INFORMATION THAT IS PROPRIETARY TO MOLEX INCORPORATED AND SHOULD NOT BE USED WITHOUT WRITTEN PERMISSION.
 SIZE B