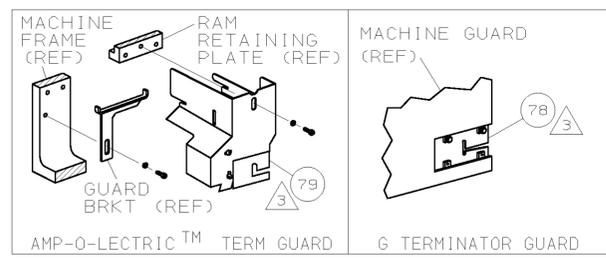
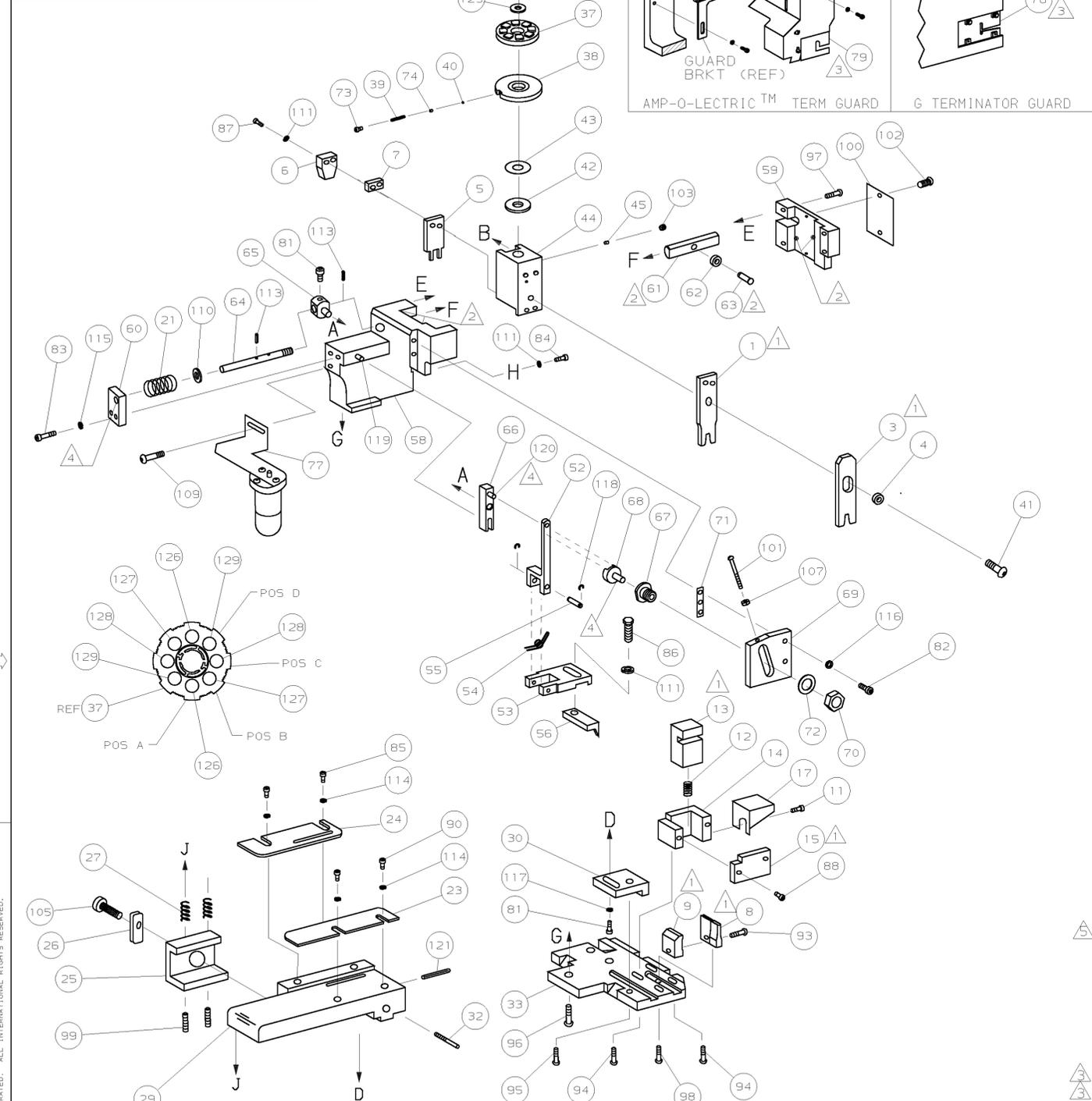
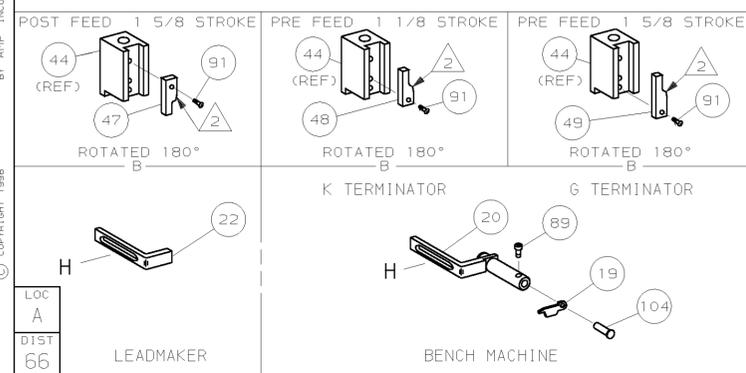


PART NUMBER	REV	FIRST USED
680383-1	D	122500-1
680383-2	D	565435-5
680383-3	D	354500-1



TERMINAL NAME: CONTACT, VARILOCK		CRIMPING DATA	
AMP	MF6 P/N	PAD LTR	CRIMP HEIGHT
286531	80-8017-03-23	A	.064 ±.002 [1.63 ±0.05mm]
		B	.060 ±.002 [1.52 ±0.05mm]
		C	.058 ±.002 [1.47 ±0.02mm]
		D	.056 ±.002 [1.42 ±0.05mm]
		CRIMP	SIZE
		WIRE	.100 [2.54mm]
		INSUL	.110 [2.794mm]
		FEED	.335
		APPL INSTRUCTION	408-8040
		SET UP GAGE	458637-1
		LAYOUT	L1840

QTY	RECD	PER	ASSY	U/M	DWG SIZE	PART NO	DESCRIPTION	ITEM NO
2	2	2	-	C		1-354779-0	PIN, WIRE DISC (.3040)D	129
2	2	2	-	C		354779-6	PIN, WIRE DISC (.3020)C	128
2	2	2	-	C		354779-2	PIN, WIRE DISC (.3000)B	127
2	2	2	-	C		9-354778-3	PIN, WIRE DISC (.2960)A	126
1	1	1	-	A		986950-1	WASHER, FLAT PRECISION	125
1	1	1	-	A		217238-1	GENERAL INSTRUCTION PACKAGE	124
1	1	1	-	-		4088040	SF APPL INST 408-8040	123
								122
1	1	1	-	A		4-21028-0	PIN, SLT SPR (ø.093x.75)ST GDE PL	121
1	1	1	-	A		1-21030-1	PIN, DOWEL (ø.187x.50)LEVER	120
1	1	1	-	A		1-21030-6	PIN, DOWEL (ø.187x1.25)HOUSING	119
2	2	2	-	A		21045-3	RING, RET "C" (ø.187)FD FING PIN	118
1	1	1	-	A		21024-5	WASHER, LOCK (#10)ADJ BLOCK	117
2	2	2	-	A		21024-5	WASHER, LOCK (#10)ADJ PLATE	116
2	2	2	-	A		21024-5	WASHER, LOCK (#10)FEED GDE ROD	115
4	4	4	-	A		21024-2	WASHER, LOCK (#4)FRONT STP GUIDE	114
2	2	2	-	A		5-21028-1	PIN, SLT SPR (ø.125x.50)ADJ ROD	113
								112
4	4	4	-	A		21024-4	WASHER, LOCK (#8)STRIPPER	111
1	1	1	-	A		21899-4	WASHER, FLAT (ø5/16)SCREW ADJ	110
-	1	-	-	A		2-21002-6	SCR, BHC (10-32x.38)LUBE ASSY	109
								108
1	1	1	-	A		21018-5	NUT, HEX (6-32)FEED ADJ	107
								106
1	1	1	-	A		22353-8	SCR, SHLD (ø.187x.25)DRAG LEVER	105
1	1	-	-	A		992031-1	PIN, CLEVIS	104
1	1	1	-	A		21009-2	SCR, SKT SET (1/4-20x.25 LW)RAM	103
2	2	2	-	A		21017-2	SCR, DRIVE (#2x.19)ID PLATE	102
1	1	1	-	A		6-23715-5	SCR, PAN HD (6-32x1.50)FEED ADJ	101
1	1	1	-	B		461264-1	PLATE, IDENTIFICATION	100
2	2	2	-	A		5-21006-6	SCR, SET (10-32x.75)DRAG	99
1	1	1	-	A		22733-8	SCR, BHC (8-32x.38 LW)ANVIL	98
2	2	2	-	A		2-21002-9	SCR, BHC (10-32x.75)CAP	97
3	3	3	-	A		2-22733-8	SCR, BHC (1/4-20x.62)HOUSING	96
1	1	1	-	A		2-21002-7	SCR, BHC (10-32x.50)56 ADJ BLOCK	95
4	4	4	-	A		2-21002-2	SCR, BHC (8-32x.50)TERM H DWN	94
1	1	1	-	A		1-21000-9	SCR, BHC (8-32x.38)SHEAR	93
								92
1	1	1	-	A		1-21002-7	SCR, BHC (6-32x.38)CAM	91
2	2	2	-	A		1-21000-4	SCR, SHC (4-40x.38)F STR GDE	90
1	1	-	-	A		7-21000-9	SCR, SHC (4-40x.19)STRIPPER	89
2	2	2	-	A		1-21003-9	SCR, FL HD (6-32x.25)R SH PLATE	88
2	2	2	-	A		8-21002-9	SCR, SHC (8-32x1.00)DEP-HOLD	87
1	1	1	-	A		2-22603-0	SCR, HEX HD (8-32x.31)FEED FINGER	86
2	2	2	-	A		1-21000-3	SCR, SHC (4-40x.25)F ST GUIDE	85
1	1	1	-	A		2-21000-7	SCR, SHC (8-32x.50)STRIPPER	84
2	2	2	-	A		3-21000-7	SCR, SHC (10-32x.75)FEED ROD GD	83
2	2	2	-	A		3-21000-6	SCR, SHC (10-32x.62)FEED ADJ BLK	82
1	1	1	-	A		3-21000-4	SCR, SHC (10-32x.38)56 ADJ BL	81
1	1	1	-	A		3-21000-4	SCR, SHC (10-32x.38)PIVOT BLK	80
-	REF	-	-	B		455749-1	GUARD, WINDOW	79
REF	-	-	-	B		679532-1	INSERT, GUARD	78
-	1	-	-	C		1-465184-0	LUBRICATOR ASSY	77
								76
								75
1	1	1	-	A		690603-1	SPRING, ASSIST	74
1	1	1	-	A		23030-1	SCR, SHC (6-32x.25 SL)INS DISC	73
1	1	1	-	A		458109-1	WASHER, SPECIAL	72
1	1	1	-	A		690517-1	SPACER	71
								70
								69
								68
								67
								66
								65
								64
								63
								62
								61
								60
								59
								58
								57
								56
								55
								54
								53
								52
								51
								50
								49
								48
								47
								46
								45
								44
								43
								42
								41
								40
								39
								38
								37
								36
								35
								34
								33
								32
								31
								30
								29
								28
								27
								26
								25
								24
								23
								22
								21
								20
								19
								18
								17
								16
								15
								14
								13
								12
								11
								10
								9
								8
								7
								6
								5
								4
								3
								2
								1



- 1 RECOMMENDED SPARE PARTS.
- 2 GREASE LIGHTLY.
- 3 GUARD MUST BE IN PLACE WHEN OPERATING APPLICATOR IN A BENCH MACHINE.
- 4 LUBRICATE DAILY USING NO. 20 MACHINE OIL.
- 5 CUT TO LENGTH AT ASSEMBLY.

QTY	RECD	PER	ASSY	U/M	DWG SIZE	PART NO	DESCRIPTION	ITEM NO
-1							LEADMAKER	
-2							BENCH MODEL K	
-3							BENCH MODEL G	
1	1	1	-	B		22594-8	NUT, HEX (1/2-20)	70
1	1	1	-	B		240628-1	PLATE, ADJUSTMENT	69
1	1	1	-	B		240626-1	SHAFT, PIVOT	68
1	1	1	-	B		240633-1	BUSHING	67
1	1	1	-	A		455680-1	LEVER, INTERMEDIATE	66
1	1	1	-	B		240629-1	BLOCK, PIVOT	65
1	1	1	-	A		240632-2	SCREW, ADJ FEED ROD	64
1	1	1	-	B		240659-3	PIN, CAM ROLLER	63
1	1	1	-	B		240658-1	ROLLER, CAM	62
1	1	1	-	B		454398-2	ROD, FEED	61
1	1	1	-	A		454178-1	GUIDE, FEED ROD	60
1	1	1	-	C		454220-1	CAP, RAM	59
1	1	1	-	D		454485-1	HOUSING	58
								57
1	1	1	-	B		694433-2	PAWL, FEED	56
1	1	1	-	B		240624-1	PIN, FEED FINGER	55
1	1	1	-	B		691499-1	SPRING, FEED FINGER	54
1	1	1	-	A		690541-1	HOLDER, FEED FINGER	53
1	1	1	-	B		455679-1	LEVER, TERMINAL FEED ARM	52
								51
								50
1	-	-	-	B		690602-6	CAM, PRE-FEED 1 5/8 ST	49
-	1	-	-	B		690602-5	CAM, PRE-FEED 1 1/8 ST	48
-	-	1	-	B		690501-4	CAM, POST-FEED 1 5/8 ST	47
								46
1	1	1	-	A		690191-1	PLUG, NYLON	45
1	1	1	-	C		455673-1	RAM	44
1	1	1	-	A		690125-1	WASHER, LAMINATED	43
1	1	1	-	A		690124-1	WASHER, RAM	42
1	1	1	-	A		7-21002-9	BOLT, CRIMPER (5/16x1.00)	41
1	1	1	-	A		23241-6	BALL, STEEL	40
1	1	1	-	A		690170-1	SPRING, COMPRESSION	39
1	1	1	-	C		690142-1	DISC, INSULATION	38
1	1	1	-	D		354777-1	WIRE DISC, PLASTIC	37
1	1	1	-	A		22480-5	WASHER, SPRING	36
1	1	1	-	B		690212-1	POST, RAM	35
								34
1	1	1	-	D		1-455675-1	PLATE, BASE	33
1	1	1	-	A		690432-3	SCREW, ADJUSTMENT	32
								31
1	1	1	-	B		455689-1	BLOCK, STRIP GUIDE ADJ	30
1	1	1	-	C		1-844048-2	PLATE, STRIP GUIDE	29
								28
2	2	2	-	A		1-22284-0	SPRING, DRAG	27
1	1	1	-	B		240793-1	LEVER, DRAG RELEASE	26
1	1	1	-	B		240792-5	DRAG, TERMINAL	25
1	1	1	-	D		690438-1	GUIDE, STRIP (REAR)	24