

NEW


0.3mm Pitch, 0.9mm Height FPC Connector

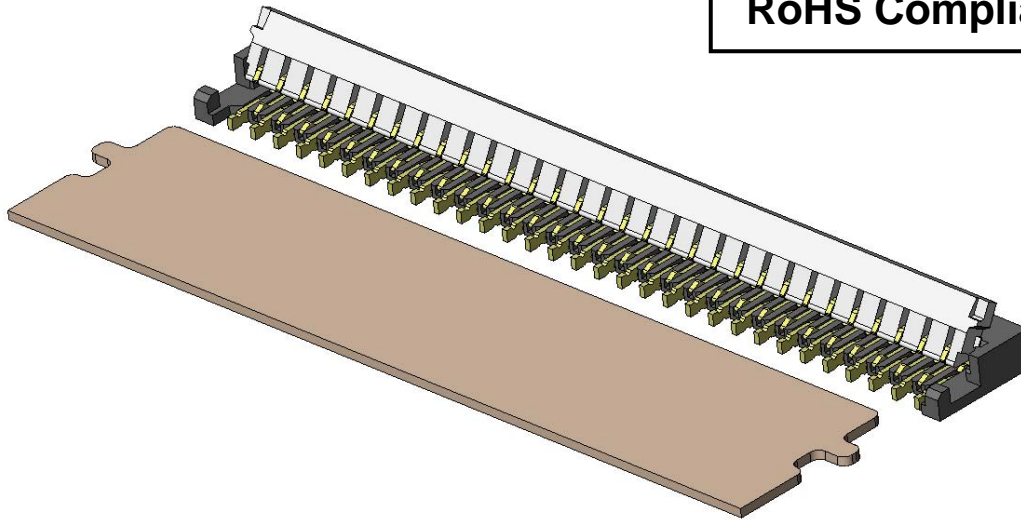
CONNECTOR

MB-0222-5

January 2013

FB10 Series

RoHS Compliant



The FB10 Series is a 0.3mm pitch, low profile, bottom-surface connection type FPC connector that is ideally suited for ever-smaller hand-held devices such as smartphones and tablet PCs.

Features

- Space-saving FPC connector with 0.3mm pitch, 0.9mm overall height, 2.5mm depth.
- Applicable FPC thickness $0.2 \pm 0.03\text{mm}$, ZIF structure, bottom-surface connection type.
- Guides for FPC sides prevent misalignment by holding the FPC in place until the actuator locks.
- Easy actuator operation.
- Open actuator is lightly locked in place so it does not to interfere with FPC insertion.
- Board pattern traces are possible under the connector (excluding terminal area).
- Pb-free, halogen-free compliant product.
- Ni barrier prevents solder wicking.
- Compliant with rated current of DC 0.35A per contact.

General Specifications

- | | |
|--|---|
| ■No. of Contacts: 11 to 61 positions | ■Rated Current: DC 0.35 A per contact |
| ■Contact Resistance: $80\text{m}\Omega$ max | ■Rated Voltage: AC, DC each 50V per contact |
| ■Dielectric Withstanding Voltage: AC250 Vr.m.s per minute | ■Applicable FPC Thickness: $0.2 \pm 0.03\text{mm}$ |
| ■Operating Temperature: -40 Deg. C to +85 Deg. C | ■Pitch: 0.3mm staggered alignment |
| ■Durability: 20 mating cycles | |

Materials and Finishes

| Component | Material / Finish |
|-------------------|---|
| Housing | Heat-resistant resin (Halogen-free) |
| Actuator | Heat-resistant resin (Black, Halogen-free) |
| Contact (2 types) | Copper alloy / Au plating over Ni Contact: 0.1μm min. Au plating Terminal: 0.03μm min. Au plating |

Ordering Information

FB10 S0 ** J A 2 - R6000

Series

No. of Contacts

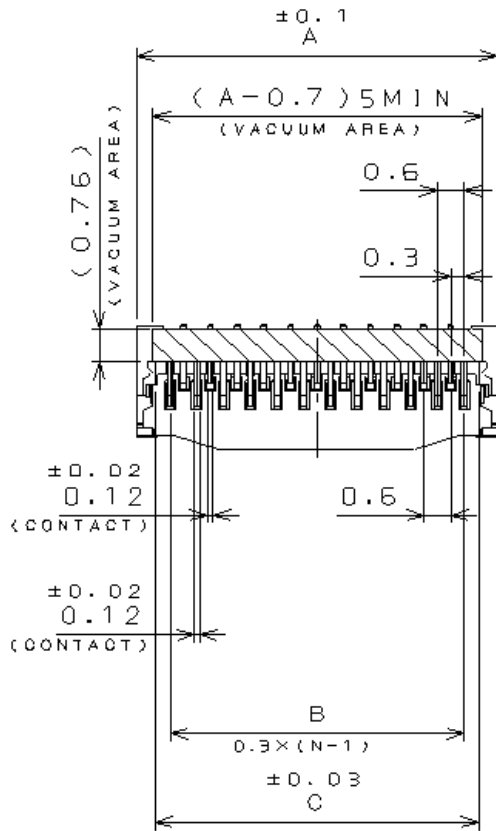
Reel Product: 6000 pcs.

Modification Code

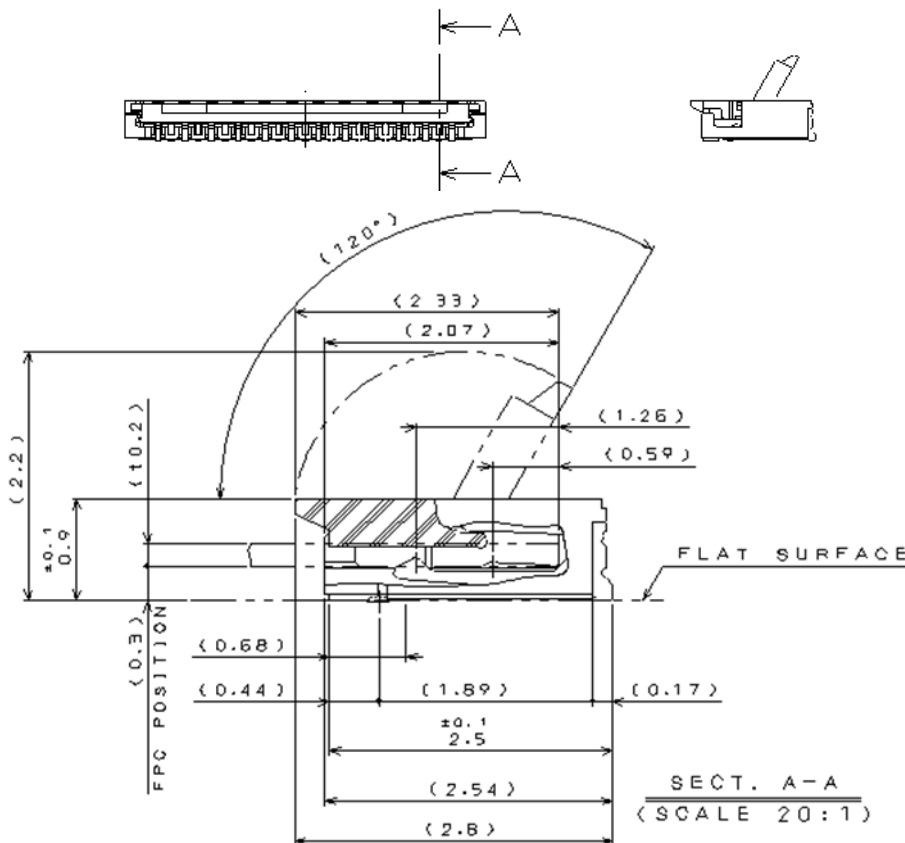
Number of Contacts Available

| No. of Contacts | Development Status |
|-----------------|------------------------|
| 11 | Samples available |
| 13 | Now in mass-production |
| 15 | Now in mass-production |
| 19 | Samples available |
| 21 | Samples available |
| 27 | Now in mass-production |
| 31 | Now in mass-production |
| 33 | Now in mass-production |
| 35 | Samples available |
| 39 | Now in mass-production |
| 41 | Now in mass-production |
| 45 | Now in mass-production |
| 51 | Now in mass-production |
| 61 | Now in mass-production |

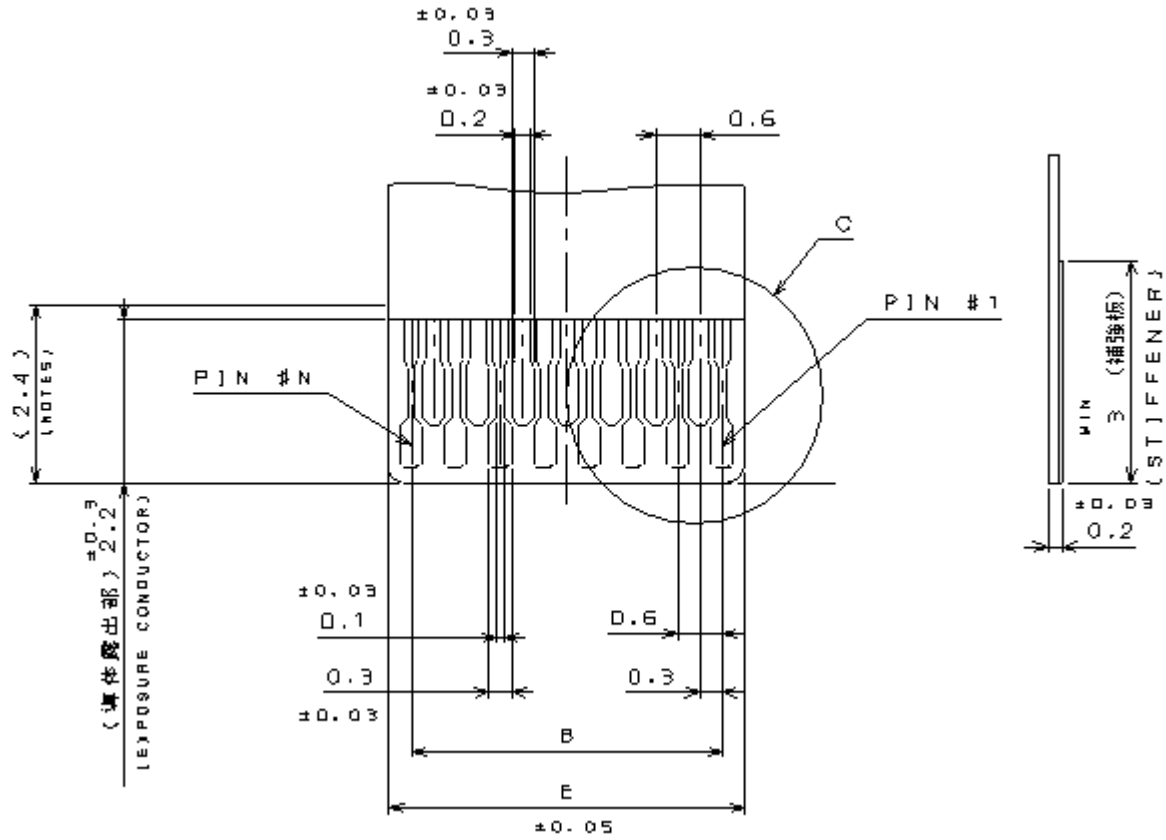
| | |
|--------------------|--------------------|
| Part Number | FB10S0**JA2 |
| SJ Drawing | SJ111993 |



| No. of Contacts | Dim. A | Dim. B | Dim. C |
|-----------------|--------|--------|--------|
| 11 | 4.5 | 3.0 | 3.67 |
| 13 | 5.1 | 3.6 | 4.27 |
| 15 | 5.7 | 4.2 | 4.87 |
| 19 | 6.9 | 5.4 | 6.07 |
| 21 | 7.5 | 6.0 | 6.67 |
| 27 | 9.3 | 7.8 | 8.47 |
| 31 | 10.5 | 9.0 | 9.67 |
| 33 | 11.1 | 9.6 | 10.27 |
| 35 | 11.7 | 10.2 | 10.87 |
| 39 | 12.9 | 11.4 | 12.07 |
| 41 | 13.5 | 12.0 | 12.67 |
| 45 | 14.7 | 13.2 | 13.87 |
| 51 | 16.5 | 15.0 | 15.67 |
| 61 | 19.5 | 18.0 | 18.67 |

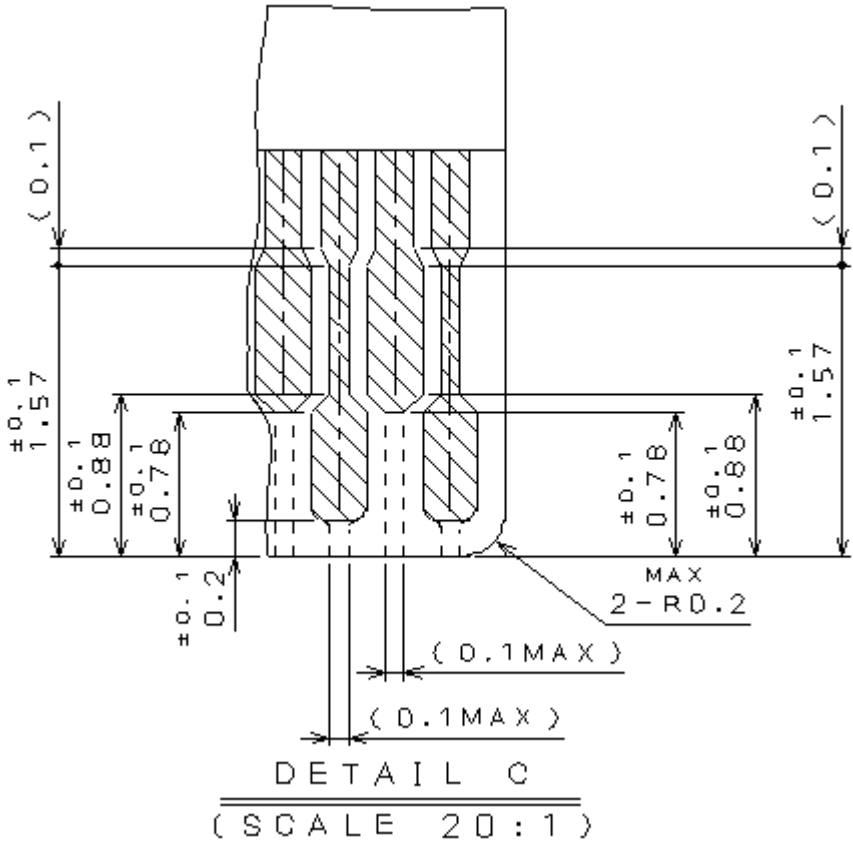


Unit: mm

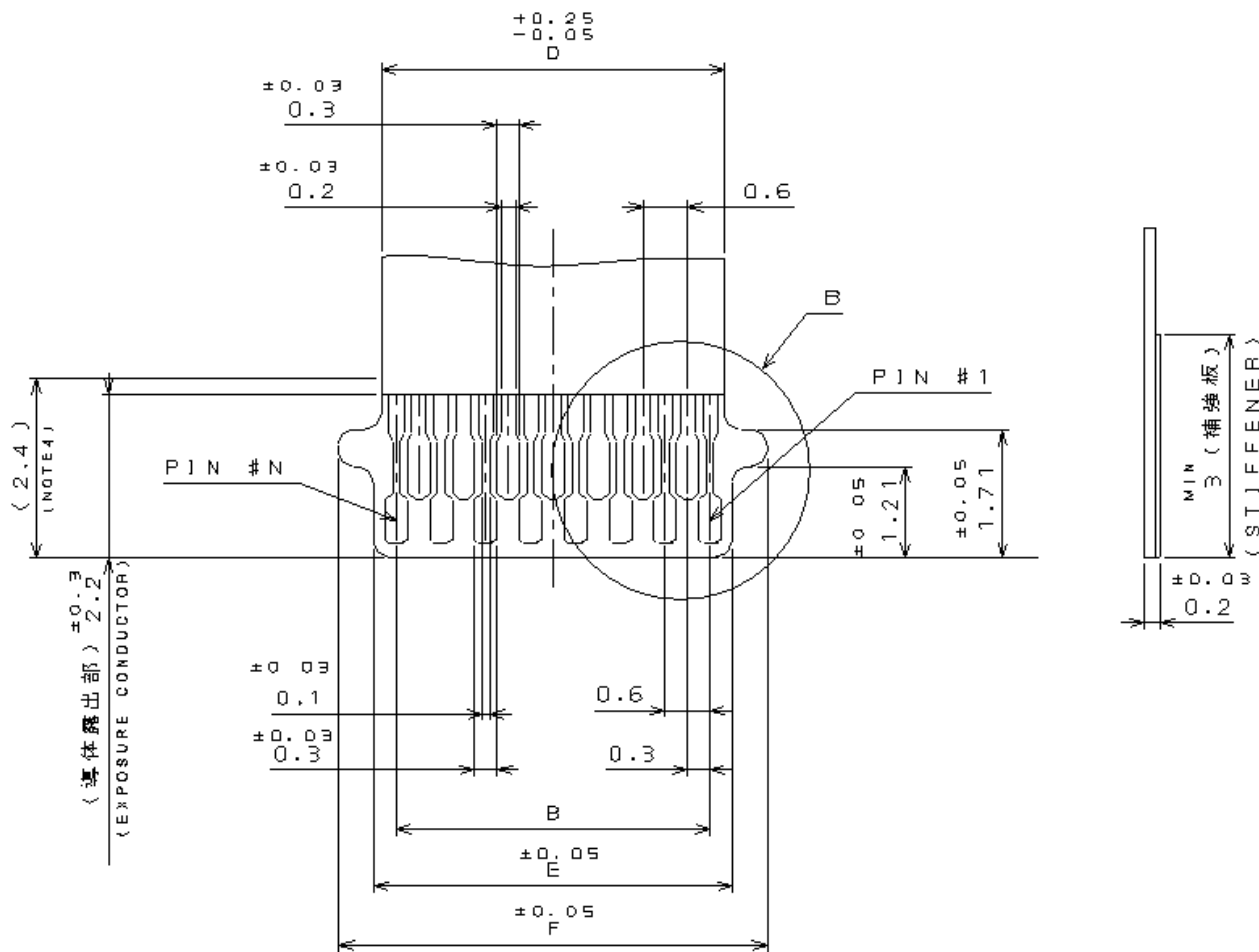


FPC without guides

| No. of Contacts | Dim. E |
|-----------------|--------|
| 11 | 3.6 |
| 13 | 4.2 |
| 15 | 4.8 |
| 19 | 6.0 |
| 21 | 6.6 |
| 27 | 8.4 |
| 31 | 9.6 |
| 33 | 10.2 |
| 35 | 10.8 |
| 39 | 12.0 |
| 41 | 12.6 |
| 45 | 13.8 |
| 51 | 15.6 |
| 61 | 18.6 |

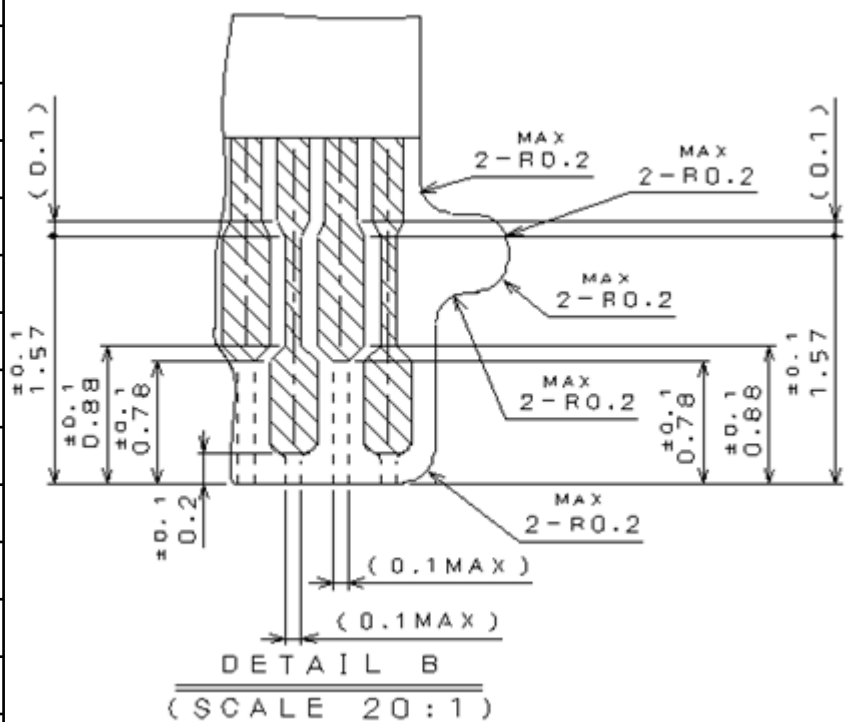


Unit: mm

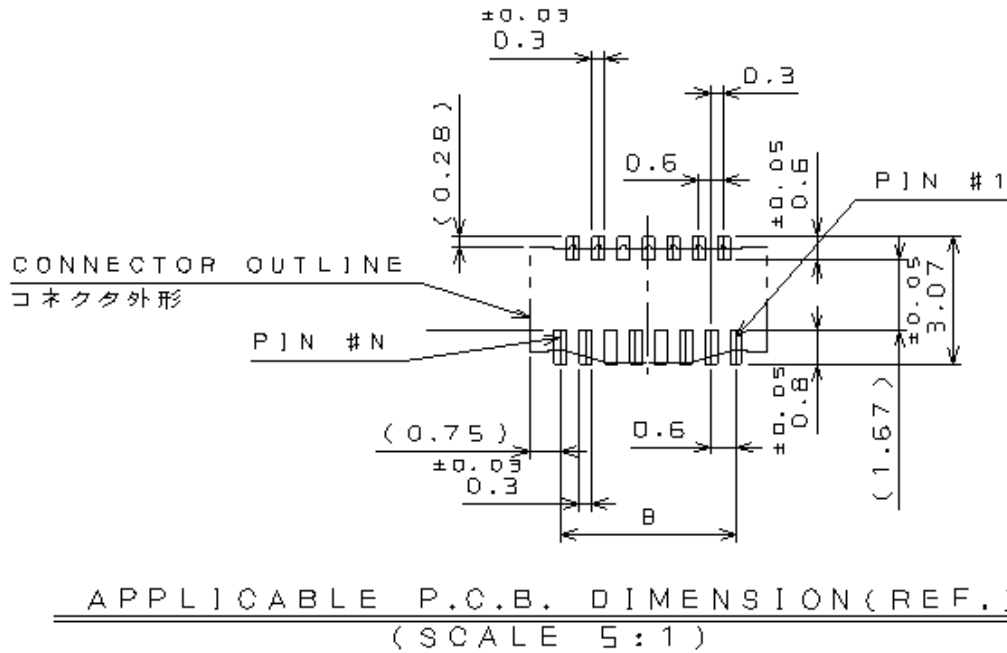


FPC with guides

| No. of Contacts | Dim. D | Dim. E | Dim. F |
|-----------------|--------|--------|--------|
| 11 | 3.4 | 3.6 | 4.54 |
| 13 | 4.0 | 4.2 | 5.14 |
| 15 | 4.6 | 4.8 | 5.74 |
| 19 | 5.8 | 6.0 | 6.94 |
| 21 | 6.4 | 6.6 | 7.54 |
| 27 | 8.2 | 8.4 | 9.34 |
| 31 | 9.4 | 9.6 | 10.54 |
| 33 | 10.0 | 10.2 | 11.14 |
| 35 | 10.0 | 10.8 | 11.74 |
| 39 | 11.8 | 12.0 | 12.94 |
| 41 | 12.4 | 12.6 | 13.54 |
| 45 | 13.6 | 13.8 | 14.74 |
| 51 | 15.4 | 15.6 | 16.54 |
| 61 | 18.4 | 18.6 | 19.54 |



Unit: mm



| No. of Contacts | Dim. B |
|-----------------|--------|
| 11 | 3.0 |
| 13 | 3.6 |
| 15 | 4.2 |
| 19 | 5.4 |
| 21 | 6.0 |
| 27 | 7.8 |
| 31 | 9.0 |
| 33 | 9.6 |
| 35 | 10.2 |
| 39 | 11.4 |
| 41 | 12.0 |
| 45 | 13.2 |
| 51 | 15.0 |
| 61 | 18.0 |

Unit: mm

Related Documents

| | |
|-----------------------|--------------|
| SJ Drawing | SJ111993 |
| Packaging Drawing | SJ111994 |
| Specifications | JACS-10724-1 |
| Handling Instructions | JABL-10724-1 |

Notice: Products shown in this brochure are made for the applications listed below. However, if the above-mentioned products are to be used in aerospace devices, marine cable-connection devices, atomic power control systems, medical equipment for life-support systems, or any other specific application requiring extremely high reliability, please contact JAE for further information.

Recommended applications: Computers, Office machines, Measuring devices, Telecommunication devices (Terminals, Mobile devices), AV devices, Household applications, FA devices, etc.

Product Marketing Division
Aobadai Building, 3-1-19, Aobadai, Meguro-ku, Tokyo 153-8539
Phone: +81-3-3780-2882 FAX: +81-3-3780-2946

* The specifications in this brochure are subject to change without notice. Please contact JAE for information.