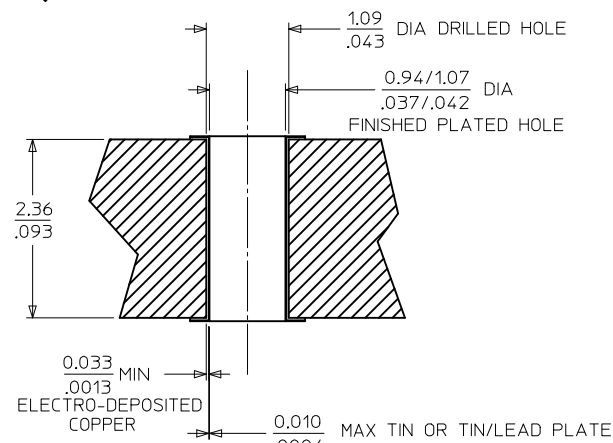
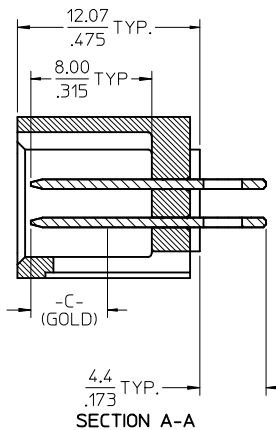
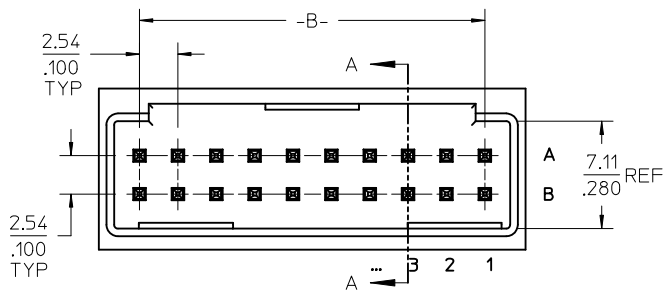
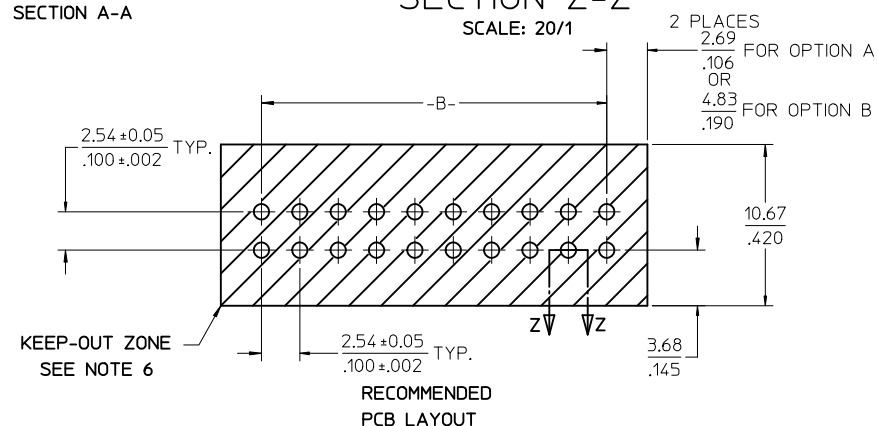


OPTION "A"



SECTION Z-Z
SCALE: 20/1



- NOTES:
- MATERIAL:
INSULATOR: GLASS FILLED LIQUID CYRSTAL POLYMER, UL94V-0,
COLOR - BLACK,
TERMINAL: COPPER ALLOY.
 - FINISH:
TERMINAL PLATING:
"1" - SELECT GOLD: 30 MICROINCHES/(0.76 MICROMETERS) MINIMUM,
SELECT TIN/LEAD 100 MICROINCHES/(2.54 MICROMETERS) MINIMUM,
BOTH OVER NICKEL.*
"2" - SELECT GOLD: 15 MICROINCHES/(0.38 MICROMETERS) MINIMUM,
SELECT TIN/LEAD 100 MICROINCHES/(2.54 MICROMETERS) MINIMUM,
BOTH OVER NICKEL.*
"3" - TIN: 200 MICROINCHES/(5.08 MICROMETERS) MINIMUM OVER NICKEL.
 - PRODUCT SPECIFICATION: PS-75100-001.
 - PACKAGING SPECIFICATION: PK-70873-0018.
 - RECOMMENDED PCB THICKNESS: (2.36)/.093 MINIMUM.
 - NO FEATURES WHICH RISE ABOVE THE PCB SURFACE ALLOWED IN THIS AREA.

CIRCUIT SIZE	DIM -A-	DIM -B-
6	10.46/.412	5.08/.200
8	13.00/.512	7.62/.300
10	15.54/.612	10.16/.400
12	18.08/.712	12.70/.500
14	20.62/.812	15.24/.600
16	23.16/.912	17.78/.700
18	25.70/1.012	20.32/.800
20	28.24/1.112	22.86/.900
22	30.78/1.212	25.40/1.000
24	33.32/1.312	27.94/1.100
26	35.86/1.412	30.48/1.200
28	38.40/1.512	33.02/1.300
30	40.94/1.612	35.56/1.400
32	43.48/1.712	38.10/1.500
34	46.02/1.812	40.64/1.600
36	48.56/1.912	43.18/1.700
38	51.10/2.012	45.72/1.800
40	53.64/2.112	48.26/1.900
42	56.18/2.212	50.80/2.000
44	58.72/2.312	53.34/2.100
46	61.26/2.412	55.88/2.200
48	63.80/2.512	58.42/2.300
50	66.34/2.612	60.96/2.400
52	68.88/2.712	63.50/2.500
54	71.42/2.812	66.04/2.600
56	73.96/2.912	68.58/2.700
58	76.50/3.012	71.12/2.800
60	79.04/3.112	73.66/2.900
62	81.58/3.212	76.20/3.000
64	84.12/3.312	78.74/3.100
66	86.66/3.412	81.28/3.200
68	89.20/3.512	83.82/3.300
70	91.74/3.612	86.36/3.400
72	94.28/3.712	88.90/3.500

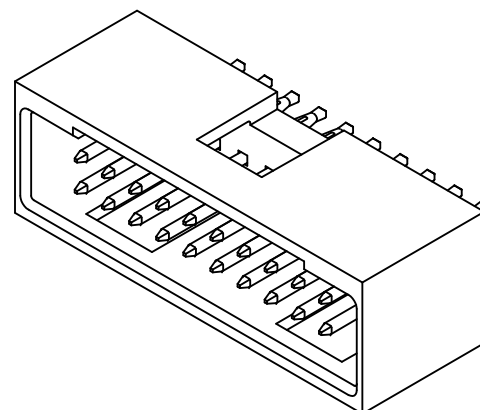
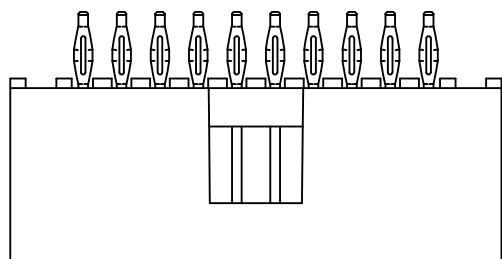
GENERAL DOC	3-4	G
ANNOTATOR	1-2	G
SOFTWARE	SHEET	REV

CHANGE HSG MATERIAL EC NO: UCP2009-1875 DRINKS BARRA 2009/09/25 CHXD:JORGAN 2009/12/01 APPR:SMILLER 2009/12/01	DESCRIPTION	REV
		G

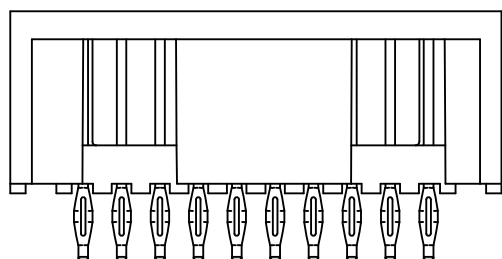
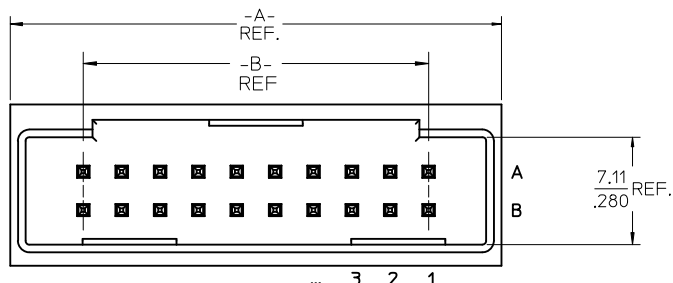
QUALITY SYMBOLS	GENERAL TOLERANCES (UNLESS SPECIFIED)
▽=0	mm INCH
▽=0	4 PLACES ± --- ± ---
	3 PLACES ± --- ± .010
	2 PLACES ± 0.25 ± ---
	1 PLACE ± --- ± ---
	ANGULAR ±1/2°
	DRAFT WHERE APPLICABLE MUST REMAIN WITHIN DIMENSIONS

DIMENSION STYLE		SCALE	DESIGN UNITS	THIRD ANGLE PROJECTION
MM/IN		4:1	INCH	
DRAWN BY	DATE	TITLE		
MARGULIS	04/01/02	.100 SHROUDED HEADER WITH COMPLIANT PIN TERMINALS		
CHECKED BY	DATE	MOLEX INCORPORATED		
MARGULIS	04/01/02	SD-75101-001		
APPROVED BY	DATE	SHEET NO.		
FRY	04/01/02	1 OF 2		
MATERIAL NO.	DOCUMENT NO.	THIS DRAWING CONTAINS INFORMATION THAT IS PROPRIETARY TO MOLEX INCORPORATED AND SHOULD NOT BE USED WITHOUT WRITTEN PERMISSION		
SEE TABLE				

OPTION "B"



ISOMETRIC VIEW
(NOT TO SCALE)



CIRCUIT SIZE	DIM -A-	DIM -B-
06	14.74/580	5.08/200
08	17.28/680	7.62/300
10	19.82/780	10.16/400
12	22.36/880	12.70/500
14	24.90/980	15.24/600
16	27.44/1080	17.78/700
18	29.98/1180	20.32/800
20	32.52/1280	22.86/900
22	35.06/1380	25.40/1000
24	37.60/1480	27.94/1100
26	40.14/1580	30.48/1200
28	42.68/1680	33.02/1300
30	45.22/1780	35.56/1400
32	47.76/1880	38.10/1500
34	50.30/1980	40.64/1600
36	52.84/2080	43.18/1700
38	55.38/2180	45.72/1800
40	57.92/2280	48.26/1900
42	60.46/2380	50.80/2000
44	63.00/2480	53.34/2100
46	65.54/2580	55.88/2200
48	68.08/2680	58.42/2300
50	70.62/2780	60.96/2400
52	73.16/2880	63.50/2500
54	75.70/2980	66.04/2600
56	78.24/3080	68.58/2700
58	80.78/3180	71.12/2800
60	83.32/3280	73.66/2900
62	85.86/3380	76.20/3000
64	88.40/3480	78.74/3100
66	90.94/3580	81.28/3200
68	93.48/3680	83.82/3300
70	96.02/3780	86.36/3400
72	98.56/3880	88.90/3500

SEE SHEET 1 EC NO: UCP2009-1875 DRWINHIS BARRA 2009/09/25 CHYKDUMORGAN 2009/12/01 APPR:SMILLER 2009/12/01	QUALITY SYMBOLS	GENERAL TOLERANCES (UNLESS SPECIFIED)		DIMENSION STYLE		SCALE	DESIGN UNITS	THIRD ANGLE PROJECTION	
	▽=0 ▽=0	mm	INCH	MM/IN		4:1	INCH		
		4 PLACES ± --- ± ---	3 PLACES ± --- ± .010	DRAWN BY	DATE	TITLE			
		2 PLACES ± 0.25 ± ---	1 PLACE ± --- ± ---	MARGULIS	04/01/02	.100 SHROUDED HEADER WITH COMPLIANT PIN TERMINALS			
	ANGULAR ± 1/2°		DRAFT WHERE APPLICABLE MUST REMAIN WITHIN DIMENSIONS		APPROVED BY		DATE		
			SEE TABLE		FRY		04/01/02		
					MATERIAL NO.		DOCUMENT NO.		
					SD-75101-001		SD-75101-001		
					SIZE		SHEET NO.		
					C THIS DRAWING CONTAINS INFORMATION THAT IS PROPRIETARY TO MOLEX INCORPORATED AND SHOULD NOT BE USED WITHOUT WRITTEN PERMISSION		2 OF 2		