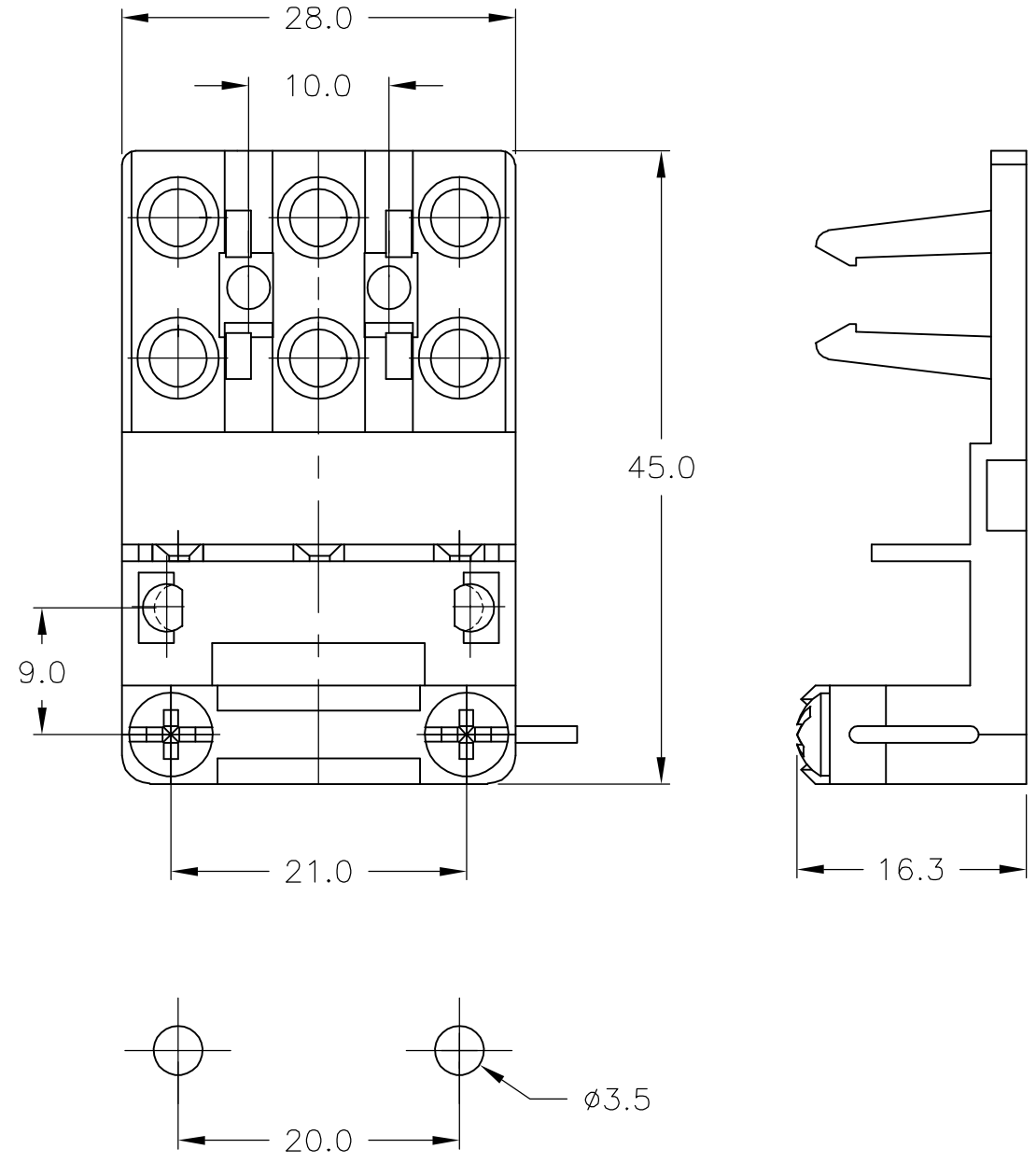


THIS DRAWING IS UNPUBLISHED. RELEASED FOR PUBLICATION  
 © COPYRIGHT BY TYCO ELECTRONICS CORPORATION. ALL RIGHTS RESERVED.

LOC	DIST	REVISIONS			
P	LTR	DESCRIPTION	DATE	DWN	APVD
FT	0	A1	REVISED PER ECO-05-8197	8/30/05	SS CR

MATERIAL:  
 HOUSING: POLYAMIDE 6/6, WHITE.  
 TRACKING RESISTANCE PTI 600.  
 SCREWS: STEEL, ZINC PLATED.  
 CONDUCTOR SIZE:  $\phi 5.5-11.0\text{mm}$ .

ENVIRONMENTAL:  
 CONTINUOUS WORKING TEMP.: 100°C.  
 SHORT TIME TEMP.: 160°C.



HOLE PATTERN

1546182-2  
 PART NUMBER

THIS DRAWING IS A CONTROLLED DOCUMENT.		DWN S SCHLEGEL	30AUG05	 Tyco Electronics Corporation Harrisburg, Pa 17105-3608	NAME STRAIN RELIEF TYPE 500 ZEL RZ
DIMENSIONS: mm		CHK C RICHARD	8/30/05		
		APVD C RICHARD	8/30/05		
TOLERANCES UNLESS OTHERWISE SPECIFIED:		PRODUCT SPEC		-	
0 PLC ± - 1 PLC ± - 2 PLC ± - 3 PLC ± - 4 PLC ± - ANGLES ± -		APPLICATION SPEC		-	
MATERIAL		WEIGHT		SIZE	RESTRICTED TO
-		-		A3 00779	-
FINISH		CUSTOMER DRAWING		CAGE CODE	DRAWING NO
-		-		G-1546182	SCALE
				NTS	SHEET 1 OF 1
					REV A1