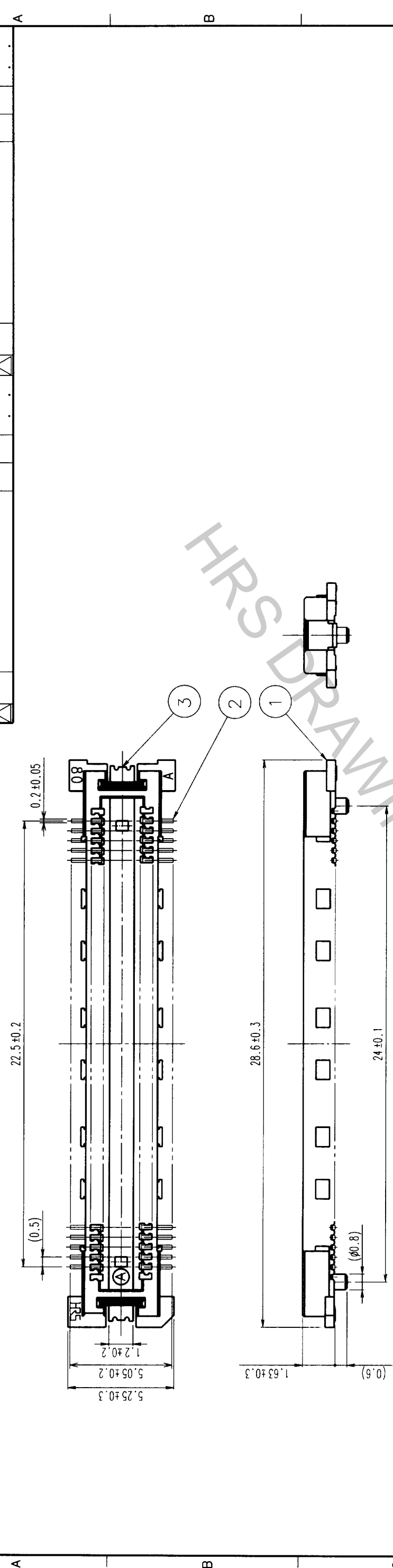
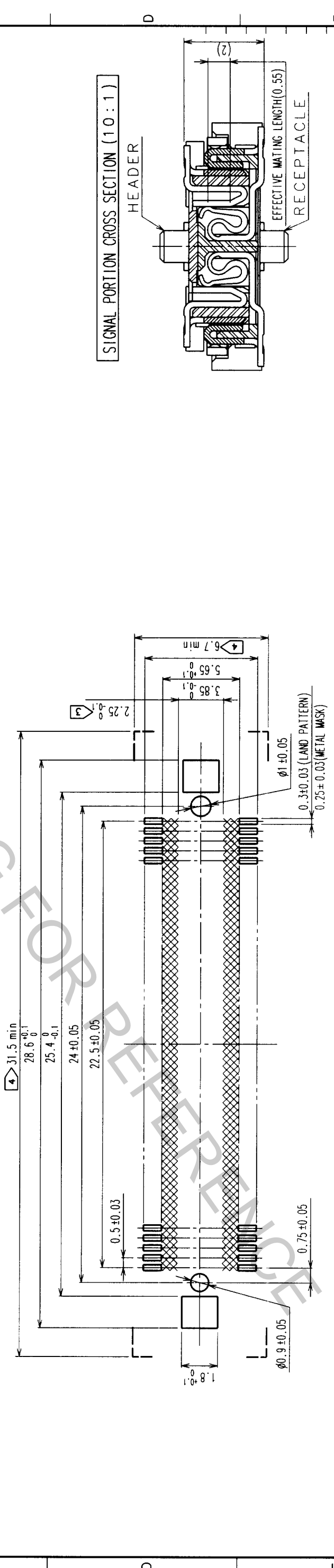


NO.	DESCRIPTION OF REVISIONS	BY	CHKD	DATE	COUNT	DESCRIPTION OF REVISIONS	BY	CHKD	DATE
1					1				
2					1				
3					1				



RECOMMENDED LAND PATTERN DIMENSION OF PCB



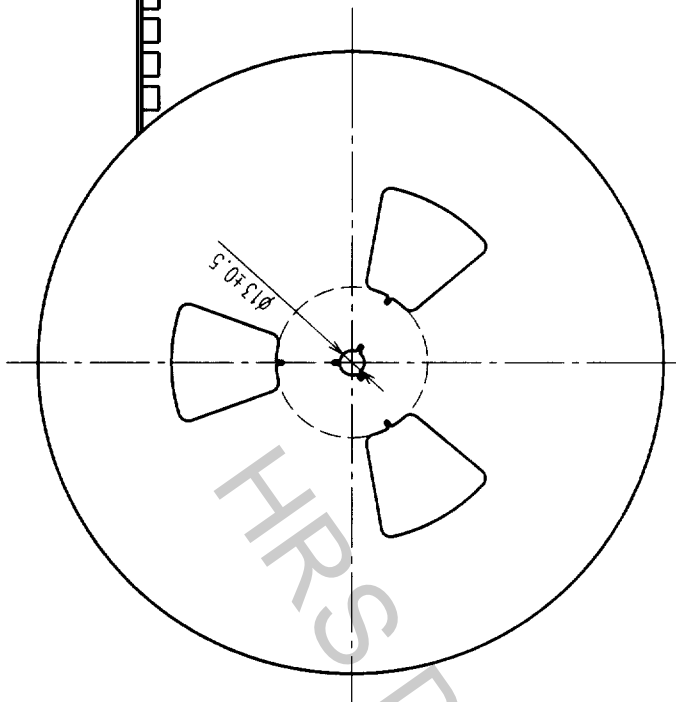
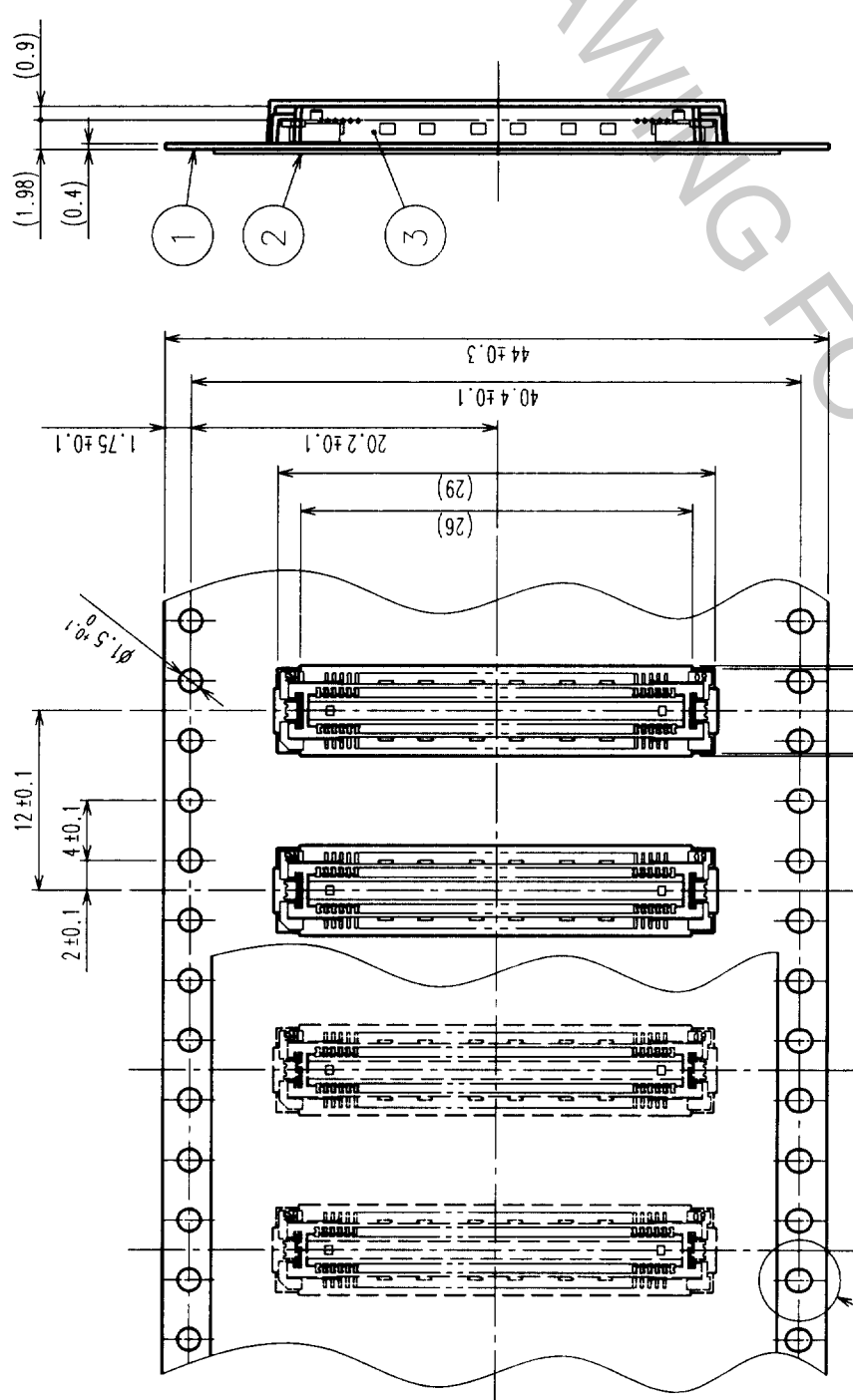
- NOTES
- 1 SMT LEAD-COPLANARITY: 0.1 MAX.
 - 2 THIS PRODUCT HAS NO POLARITY TO PATTERN FOR MOUNTING.
 - 3 MAKE SURE WIDTH OF PATTERN IS WITHIN THAT OF LAND ,OR LEAD MAY TOUCH PATTERN. (THIS APPLIES TO HATCHED AREA.)
 - 4 DO NOT MOUNT OTHER DEVICES ONTO [] AREA ,OR MATING PAIR CANNOT BE MATED.
 - 5 TO BE EMBOSSED CARRIER TAPED AS SPECIFIED IN SHEET 2.

2	COPPER ALLOY	CONTACT AREA: GOLD (0.1µm) OVER NICKEL
1	LCP	LEAD: GOLD FLASH OVER NICKEL
NO.	MATERIAL	FINISH, REMARKS
		BEIGE UL94V-0
CODE NO. (OLD)	CL	
DESIGNED	CHECKED	APPROVED
DRAWN		
PHOSPHOR BRONZE	TIN PLATED	
NO.	MATERIAL	FINISH, REMARKS
3		
PART NO.	FX11LA-92P-SV (21)	
DRAWING NO.	EDC3-152101-01	
SCALE	5 : 1	
UNITS	mm	
CODE NO.	CL573-0043-4-21	

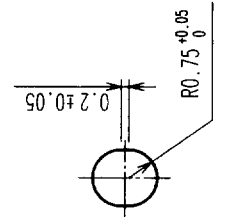
TO	
PCK	

COUNT	DESCRIPTION OF REVISIONS	BY	CHKD	DATE	COUNT	DESCRIPTION OF REVISIONS	BY	CHKD	DATE
△					△				
△					△				
△					△				

REELED DIMENSION (Free)



A (5:1)



- NOTES
- 1 REEL: 1000 CONNECTORS.
 - 2 MINIMUM 10 COMPARTMENTS FROM BOTH REEL ENDS REMAIN EMPTY.
 - 3 THIS PRODUCT HAS NO POLARITY TO TAPE AND REEL PACKAGING.

2		TOP COVER TAPE		3		(CONNECTOR)	
1		EMBOSSED CARRIER TAPE		3			
NO.	MATERIAL	FINISH, REMARKS	NO.	MATERIAL	FINISH, REMARKS	NO.	MATERIAL
CODE NO. (OLD)		DRAWN		DESIGNED		CHECKED	
CL		Hirose Electric Co., Ltd. 17.10.25 17.10.25		Hirose Electric Co., Ltd. 17.10.25 17.10.25		Hirose Electric Co., Ltd. 17.10.26 17.10.26	
DRAWING FOR PACKING		DRAWING NO.		PART NO.		FINISH, REMARKS	
SCALE		EDC3-152101-01		FX11LA-92P-SV(21)		APPROVED	
UNITS		2 : 1		HIROSE ELECTRIC CO., LTD		RELEASED	
		HRS		CL573-0043-4-21		2	

TO	
PCK	