

1

2

3

4

5

6

7

A

A

B

B

C

C

D

D

E

E

F

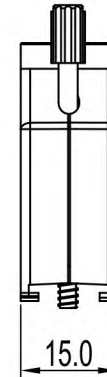
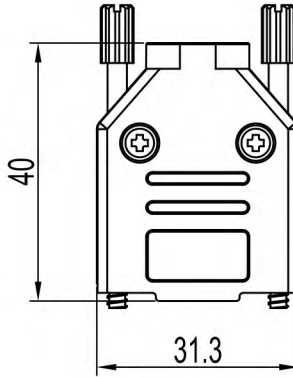
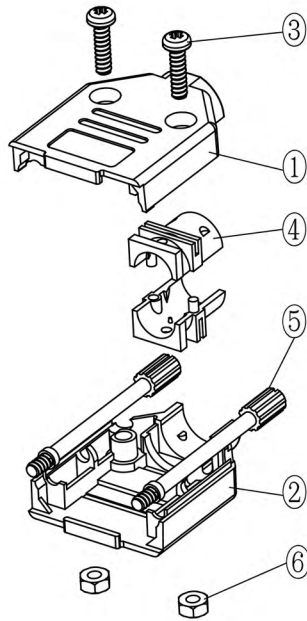
F

G

G

H

H



TECHNICAL SPECIFICATIONS

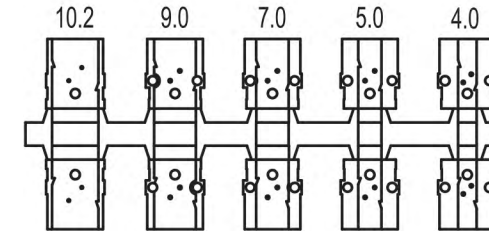
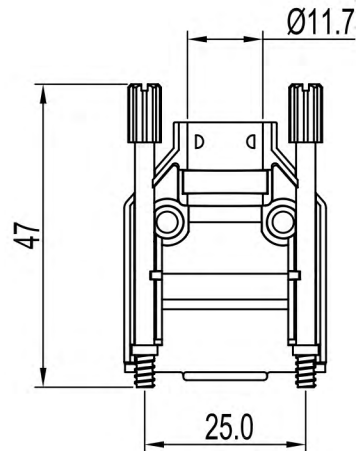
Material: ABS Plastic, UL94 V-0

Colour: Black

Operating Temperature: -55°C to +110°C

Thumbscrews: UNC 4-40

No. of contacts: 09-15-25-37



Grommet Set

Item	QTY	Part description
1	1	Upper Cover
2	1	Lower Cover
3	2	M3x11 Screw
4	1	Grommet Set
5	2	Thumbscrews UNC4-40 x 47mm
6	2	M3 Nut

RoHS compliant
Unit: mm

Scale	Free				Date	Name	Customer-No.	
TOLERANCE					Drawn	17.08.2017	S.Bölling	
0~6	±0.10				Approved	17.08.2017	S.Bölling	
6~30	±0.20							
30~120	±0.30							
120~400	±0.50							
DIM	Tol							
Angle	±1°	Ⓢ	Drawn	17.08.2017				S.Bölling
Angle	Tol	Id.	Modification	Date				Name

Customer-No.
ASSMANN WSW-No.
ACOV-SUB-09NB23

Drawing-No.
ASS_5264_CO rev00
Replace
Sheet 1/4

1

2

3

4

5

6

7

SV4382

1

2

3

4

5

6

7

A

B

C

D

E

F

A

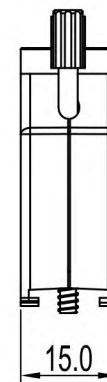
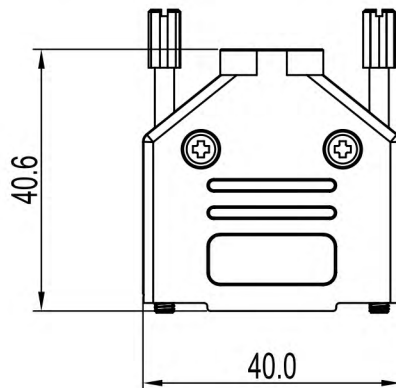
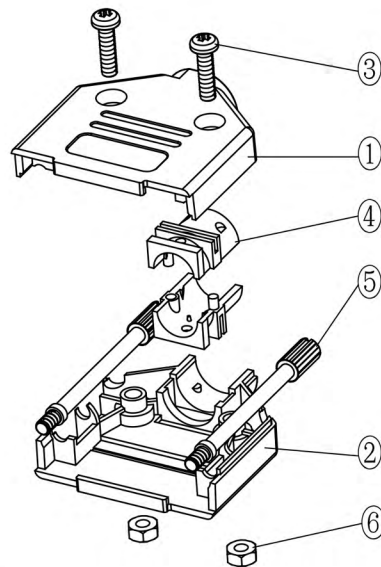
B

C

D

E

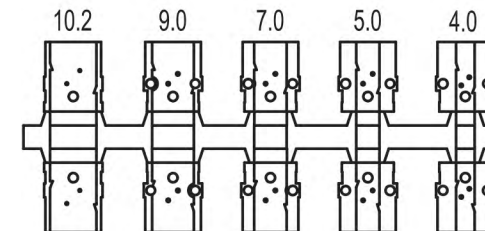
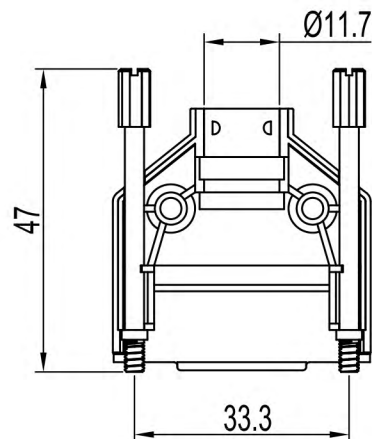
F



TECHNICAL SPECIFICATIONS

Material: ABS Plastic, UL94 V-0
 Colour: Black
 Operating Temperature: -55°C to +110°C
 Thumbscrews: UNC 4-40

No. of contacts: 09-15-25-37



Grommet Set

Item	QTY	Part description
1	1	Upper Cover
2	1	Lower Cover
3	2	M3x11 Screw
4	1	Grommet Set
5	2	Thumbscrews UNC4-40 x 47mm
6	2	M3 Nut

RoHS compliant
 Unit: mm

Scale	Free						Date	Name	Customer-No.	
TOLERANCE							Drawn	17.08.2017	S.Bölling	ASSMANN WSW-No. ACOV-SUB-15NB23
0~6	±0.10						Approved	17.08.2017	S.Bölling	
6~30	±0.20									
30~120	±0.30									
120~400	±0.50									Drawing-No.
DIM	Tol									ASS_5264_CO
Angle	±1°	©	Drawn				17.08.2017	S.Bölling		rev00
Angle	Tol	Id.	Modification				Date	Name		Sheet 2/4



Replace

1

2

3

4

5

6

7

1

2

3

4

5

6

7

A

B

C

D

E

F

A

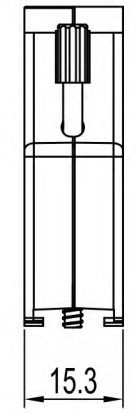
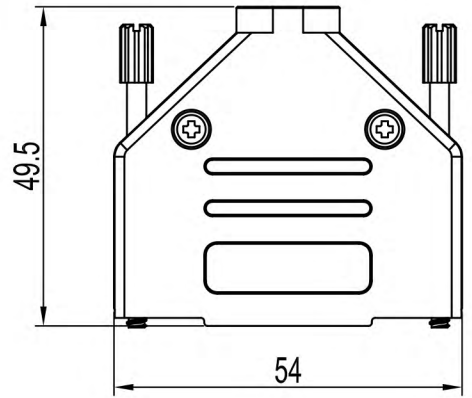
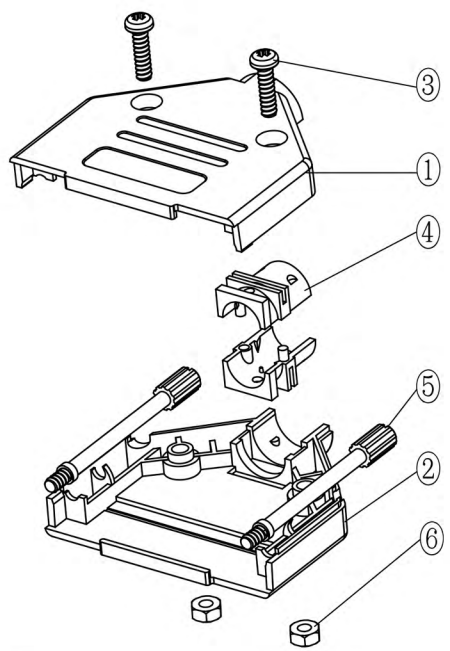
B

C

D

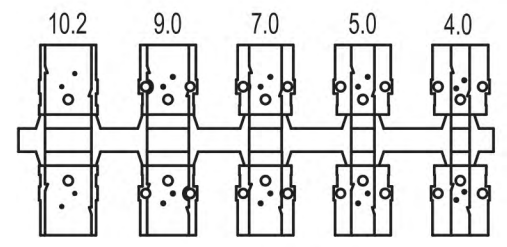
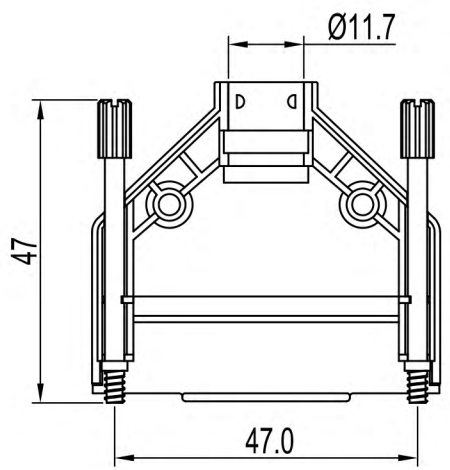
E

F



TECHNICAL SPECIFICATIONS

Material: ABS Plastic, UL94 V-0
 Colour: Black
 Operating Temperature: -55°C to +110°C
 Thumbscrews: UNC 4-40
 No. of contacts: 09-15-25-37



Grommet Set

Item	QTY	Part description
1	1	Upper Cover
2	1	Lower Cover
3	2	M3x11 Screw
4	1	Grommet Set
5	2	Thumbscrews UNC4-40 x 47mm
6	2	M3 Nut

RoHS compliant
 Unit: mm

Scale	Free						Date	Name	Customer-No.	
TOLERANCE							Drawn	17.08.2017	S.Bölling	ASSMANN WSW-No. ACOV-SUB-25NB23
0~6	±0.10						Approved	17.08.2017	S.Bölling	
6~30	±0.20									
30~120	±0.30									
120~400	±0.50									Drawing-No.
DIM	Tol									ASS_5264_CO
Angle	±1°	©	Drawn				17.08.2017	S.Bölling		rev00
Angle	Tol	Id.	Modification				Date	Name		Sheet 3/4



Replace

1

2

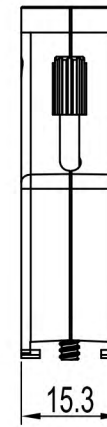
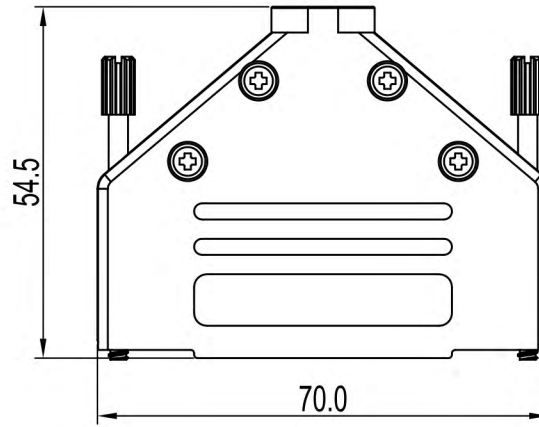
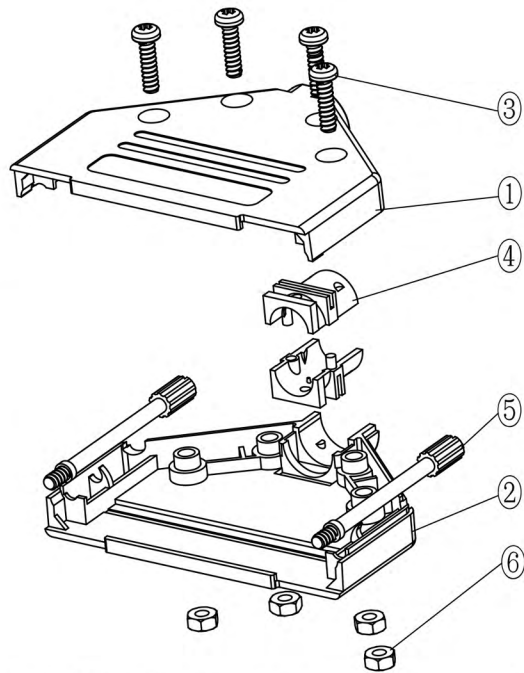
3

4

5

6

7



TECHNICAL SPECIFICATIONS

Material: ABS Plastic, UL94 V-0
 Colour: Black
 Operating Temperature: -55°C to +110°C
 Thumbscrews: UNC 4-40

No. of contacts: 09-15-25-37

A

B

C

D

E

F

A

B

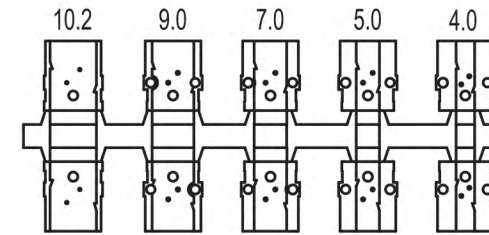
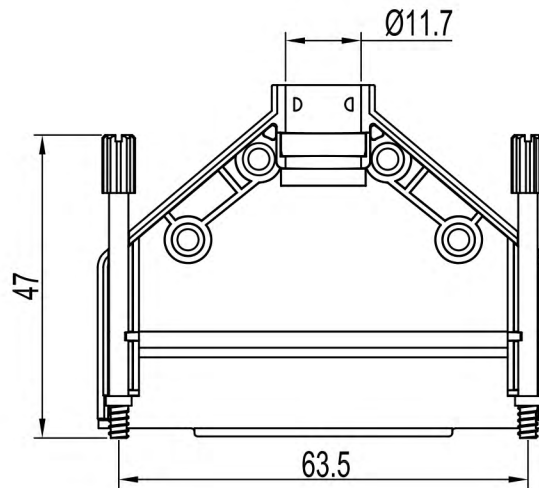
C

D

E

F

Item	QTY	Part description
1	1	Upper Cover
2	1	Lower Cover
3	4	M3x11 Screw
4	1	Grommet Set
5	2	Thumbscrews UNC4-40 x 47mm
6	4	M3 Nut



Grommet Set

RoHS compliant
 Unit: mm

Scale	Free						Date	Name	Customer-No.	
TOLERANCE							Drawn	17.08.2017	S.Bölling	ASSMANN WSW-No. ACOV-SUB-37NB23
0~6	±0.10						Approved	17.08.2017	S.Bölling	
6~30	±0.20									
30~120	±0.30									
120~400	±0.50									Drawing-No.
DIM	Tol									ASS_5264_CO
Angle	±1°	Ⓢ	Drawn				17.08.2017	S.Bölling		rev00
Angle	Tol	Id.	Modification							Sheet 4/4



Replace

G

H

G

H

1

2

3

4

5

6

7