

THIS DRAWING IS UNPUBLISHED.  
 QUELLE DOKUMENTATION VERBODEN.  
 © COPYRIGHT - By -  
 RELEASED FOR PUBLICATION  
 EREINER VERBODEN TOEGANG  
 ALL RIGHTS RESERVED.  
 TODOS LOS DERECHOS RESERVADOS.  
 LOS DERECHOS RESERVADOS POR PATENTES ACTUALES O PENDIENTES

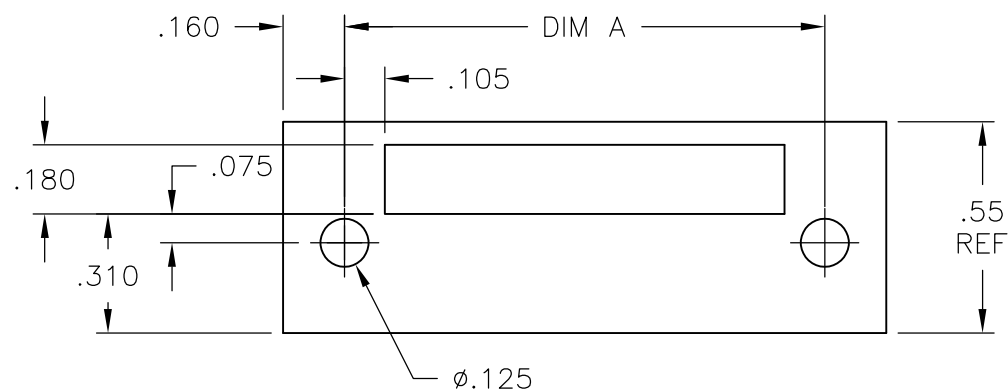
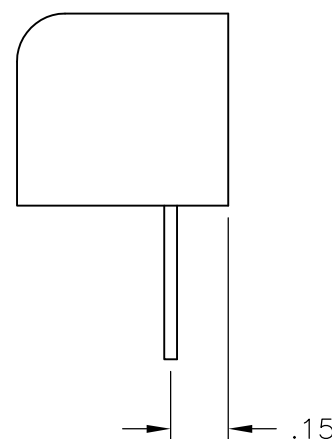
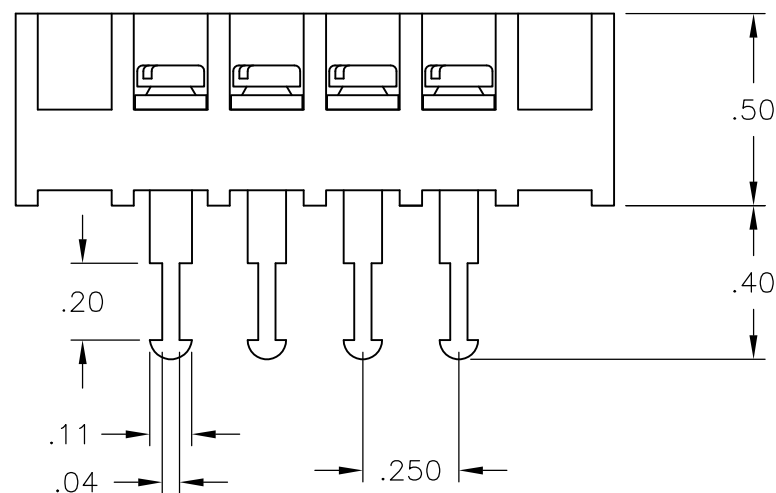
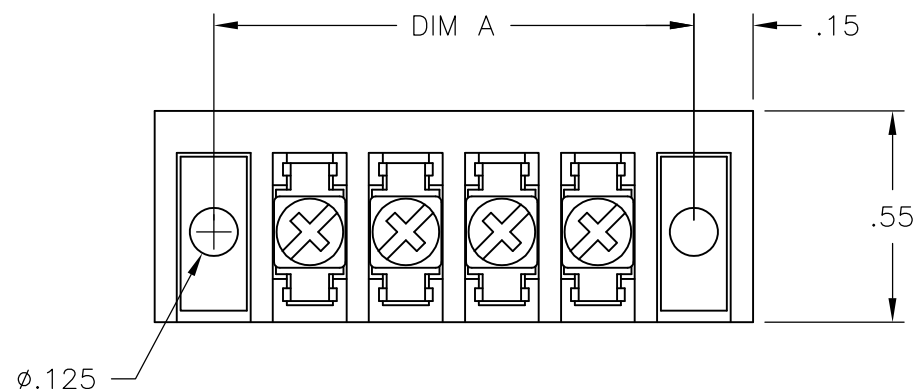
LOC FT	DIST 0	REVISIONS		
P	LTR REV	DESCRIPTION	DATE	DWN APRRO
	B	REVISED PER ECO-11-023401	01DEC11	KH MS

NOTES:

MATERIAL:  
 HOUSING: THERMOPLASTIC, UL94V-0, BLACK.  
 TERMINAL: BRIGHT TIN PLATED, COPPER ALLOY.  
 M3 SCREWS: ZINC PLATED STEEL.

ELECTRICAL:  
 RATED CURRENT: 10A.  
 OPERATING VOLTAGE: 300V.  
 WIRE RANGE: 16-30 AWG.

MECHANICAL:  
 PITCH (TERMINAL SPACING): .250"  
 OPERATING TEMP.: 120°C MAX.



RECOMMENDED PANEL LAYOUT

7.25	28	3STV-28-006	2-1546687-8
7.00	27	3STV-27-006	2-1546687-7
6.75	26	3STV-26-006	2-1546687-6
6.50	25	3STV-25-006	2-1546687-5
6.25	24	3STV-24-006	2-1546687-4
6.00	23	3STV-23-006	2-1546687-3
5.75	22	3STV-22-006	2-1546687-2
5.50	21	3STV-21-006	2-1546687-1
5.25	20	3STV-20-006	6-1546119-3
5.00	19	3STV-19-006	1-1546687-9
4.75	18	3STV-18-006	1-1546687-8
4.50	17	3STV-17-006	1-1546687-7
4.25	16	3STV-16-006	1-1546687-6
4.00	15	3STV-15-006	1-1546687-5
3.75	14	3STV-14-006	1-1546687-4
3.50	13	3STV-13-006	1-1546687-3
3.25	12	3STV-12-006	6-1546119-2
3.00	11	3STV-11-006	1-1546687-1
2.75	10	3STV-10-006	6-1546119-1
2.50	9	3STV-09-006	6-1546119-0
2.25	8	3STV-08-006	5-1546119-9
2.00	7	3STV-07-006	5-1546119-8
1.75	6	3STV-06-006	5-1546119-7
1.50	5	3STV-05-006	5-1546119-6
1.25	4	3STV-04-006	5-1546119-4
1.00	3	3STV-03-006	5-1546119-3
.75	2	3STV-02-006	5-1546119-2

DIM "A"	NO. OF POS.	CATALOG NUMBER	PART NO.
---------	-------------	----------------	----------

THIS DRAWING IS A CONTROLLED DOCUMENT.		DWN/DISEG S SCHLEGEL	4/22/03	TE Connectivity	
EISEL DOKUMENTATION VERBODEN.		CHK/CONTROLLED S YODER	4/22/03	NAME S YODER	
DIMENSIONS: INCHES		APVD/APPROVE S YODER	4/22/03	PRODUCT SPEC 3STV-XX-006	
TOLERANCES UNLESS OTHERWISE SPECIFIED: 0 PLC/DIG: ± - 1 PLC/DIG: ± - 2 PLC/DIG: ± .02 3 PLC/DIG: ± .010 4 PLC/DIG: ± - ANGLES/ANGLES ± -		APPLICATION SPEC S YODER		DRAWING NO G-5-1546119-2	
MATERIAL MATERIE		WEIGHT PESO APPROX. -		SIZE A3	RESTRICTED TO RESERVADO
FINISH/OBERFLAECHE/FARBE ACABAMENTO		CAGE CODE 00779		SCALE AS SHOWN	SHEET 1 OF 1
CUSTOMER DRAWING		DESIGN REFERENCE		SCALE AS SHOWN	REV B