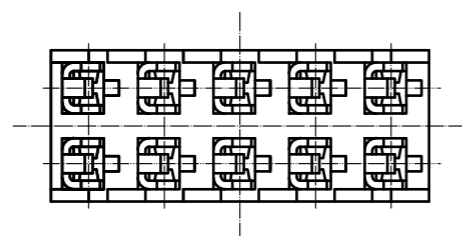
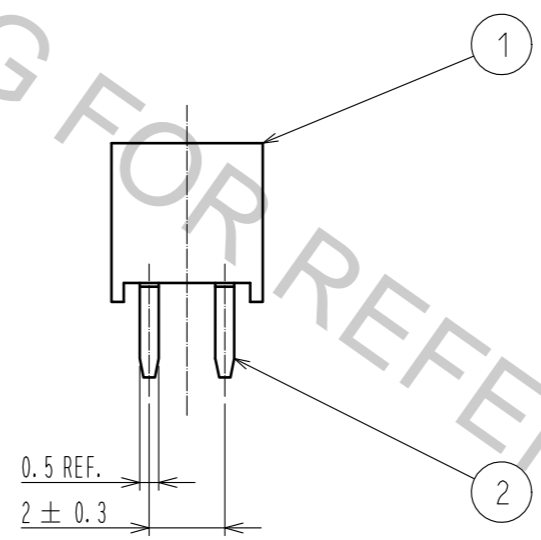
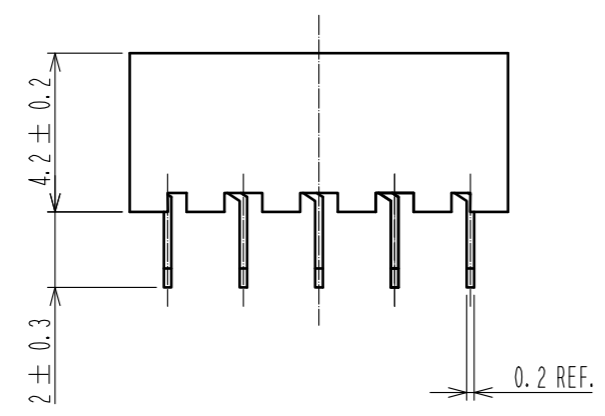
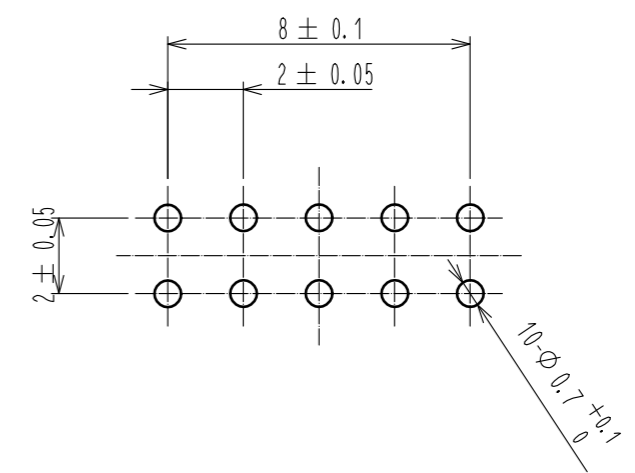
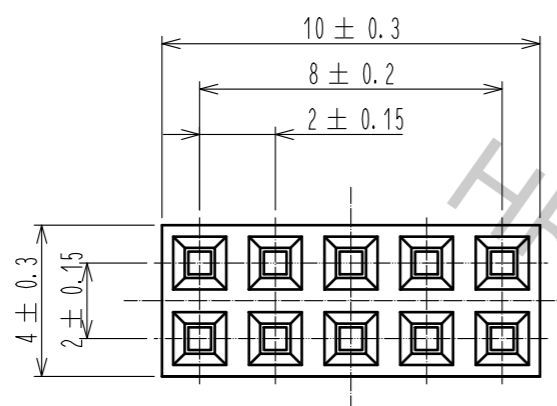


1 2 3 4 5 6 7 8

A B C D E F

RECOMMENDED PC BOARD HOLE PATTERN



NOTES 1. THE CONTACT CUT SECTION IS UNPLATED.

1	PBT	BLACK. UL94V-0	2	PHOSPHOR BRONZE	CONTACT: GOLD PLATING 0.2μm MIN DIP : TIN PLATING 1μm MIN UNDER :NICKEL PLATING 1μm MIN
NO.	MATERIAL	FINISH . REMARKS	NO.	MATERIAL	FINISH . REMARKS
UNITS		SCALE	COUNT	DESCRIPTION OF REVISIONS	
mm		5:1		DESIGNED	CHECKED
HRS HIROSE ELECTRIC CO., LTD.		APPROVED : HS. OKAWA	15.06.04	DRAWING NO. EDC-081242-71-21	
		CHECKED : HT. YAMAGUCHI	15.06.04	PART NO. A3C-10DA-2DSC(71)	
		DESIGNED : MT. ITANO	15.06.04	CODE NO. CL621-0534-5-71	
		DRAWN : MT. ITANO	15.06.04		