

NOTES:

1. MATERIAL:

HOUSING : PPS
 TERMINAL: PHOSPHOR BRONZE



2.FINISH 0 - GOLD FLASH IN CONTACT AREA, 1.52um/60uin MIN. TIN IN SOLDER TAIL, BOTH OVER 0.76um/30uin MIN. NICKEL OVERALL.

- 1 - 0.25um/10uin MIN. GOLD IN CONTACT AREA, 1.52um/60uin MIN. TIN IN SOLDER TAIL, BOTH OVER 0.76um/30uin MIN. NICKEL OVERALL.
- 2 - 0.38um/15uin MIN. GOLD IN CONTACT AREA, 1.52um/60uin MIN. TIN IN SOLDER TAIL, BOTH OVER 0.76um/30uin MIN. NICKEL OVERALL.
- 3 - 0.76um/30uin MIN. GOLD IN CONTACT AREA, 1.52um/60uin MIN. TIN IN SOLDER TAIL, BOTH OVER 0.76um/30uin MIN. NICKEL OVERALL.
- 4 - 0.50um/20uin MIN. GOLD IN CONTACT AREA, 1.52um/60uin MIN. TIN IN SOLDER TAIL, BOTH OVER 0.76um/30uin MIN. NICKEL OVERALL.

- 3. PRODUCT SPECIFICATION REFER TO PS-48200-001.
- 4. PRODUCT SPECIFICATION : PER PS-48200-001
- 5. TEST SUMMARY : PER TS-48200-001
- 6. PACKAGE SPECIFICATION : PK-48200-001
- 7. LEAD FREE AND ROHS COMPLIANT PRODUCT

PART NO. LEGEND : 48200 - 92**

PEG VERSION, COLOR _____ PLATING VERSION (REFER TO NOTES 2)
 0:STANDARD , BROWN , 5V, PLASTIC PEG
 1:STANDARD , WHITE , 5V, PLASTIC PEG
 5:STANDARD , WHITE , 5V, METAL PEG

DRAWING ERROR	EC NO:	2007/03/05	QUALITY SYMBOLS	GENERAL TOLERANCES (UNLESS SPECIFIED)		DIMENSION STYLE		SCALE	DESIGN UNITS	THIRD ANGLE PROJECTION	
	DRWN:ALLIN	2007/03/09		mm	INCH	MM ONLY	2:1	METRIC	DRAWN BY: TOM DATE: 2005/02/04 CHECKED BY: ALL IN DATE: 2005/02/04 APPROVED BY: WWSCHANG DATE: 2005/02/04 MATERIAL NO. SEE TABLE DOCUMENT NO. SD-48200-001 SHEET NO. 1 OF 4		
	CHKD:	2007/03/13		4 PLACES ± --- ± --- 3 PLACES ± --- ± --- 2 PLACES ± 0.25 ± --- 1 PLACE ± 0.25 ± --- ANGULAR ± 3 °							
	APPR:WWSCHANG	2007/03/13		DRAFT WHERE APPLICABLE MUST REMAIN WITHIN DIMENSIONS		DRAWN BY: TOM DATE: 2005/02/04 CHECKED BY: ALL IN DATE: 2005/02/04 APPROVED BY: WWSCHANG DATE: 2005/02/04 MATERIAL NO. SEE TABLE DOCUMENT NO. SD-48200-001 SHEET NO. 1 OF 4					
REV	DESCRIPTION		▽=0 ◻=0								



MOLEX INCORPORATED

THIS DRAWING CONTAINS INFORMATION THAT IS PROPRIETARY TO MOLEX INCORPORATED AND SHOULD NOT BE USED WITHOUT WRITTEN PERMISSION

10 9 8 7 6 5 4 3 2 1

F

E

D

C

B

A

F

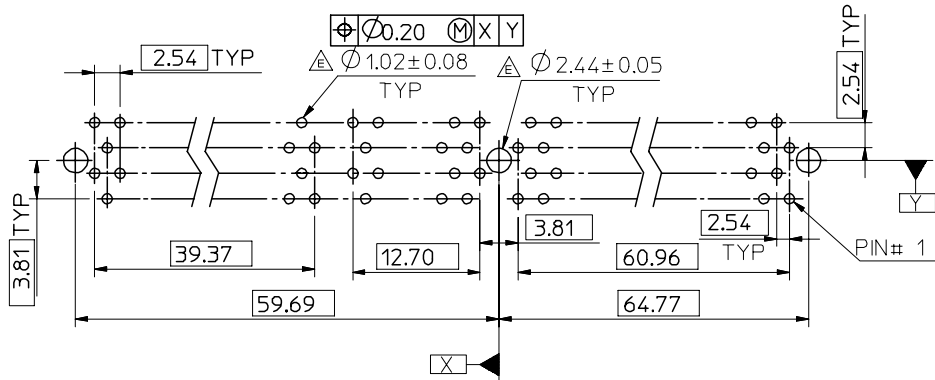
E

D

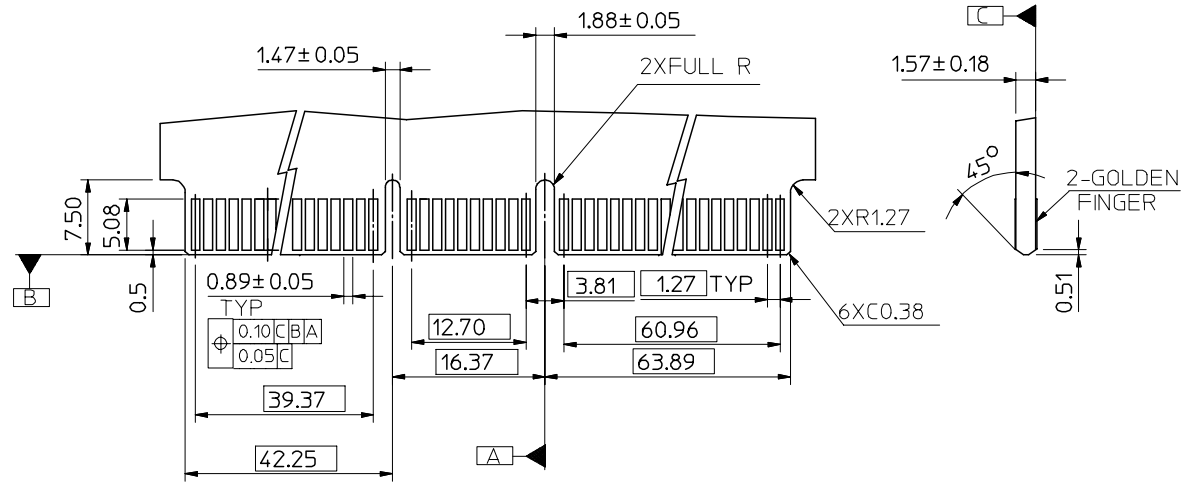
C

B

A



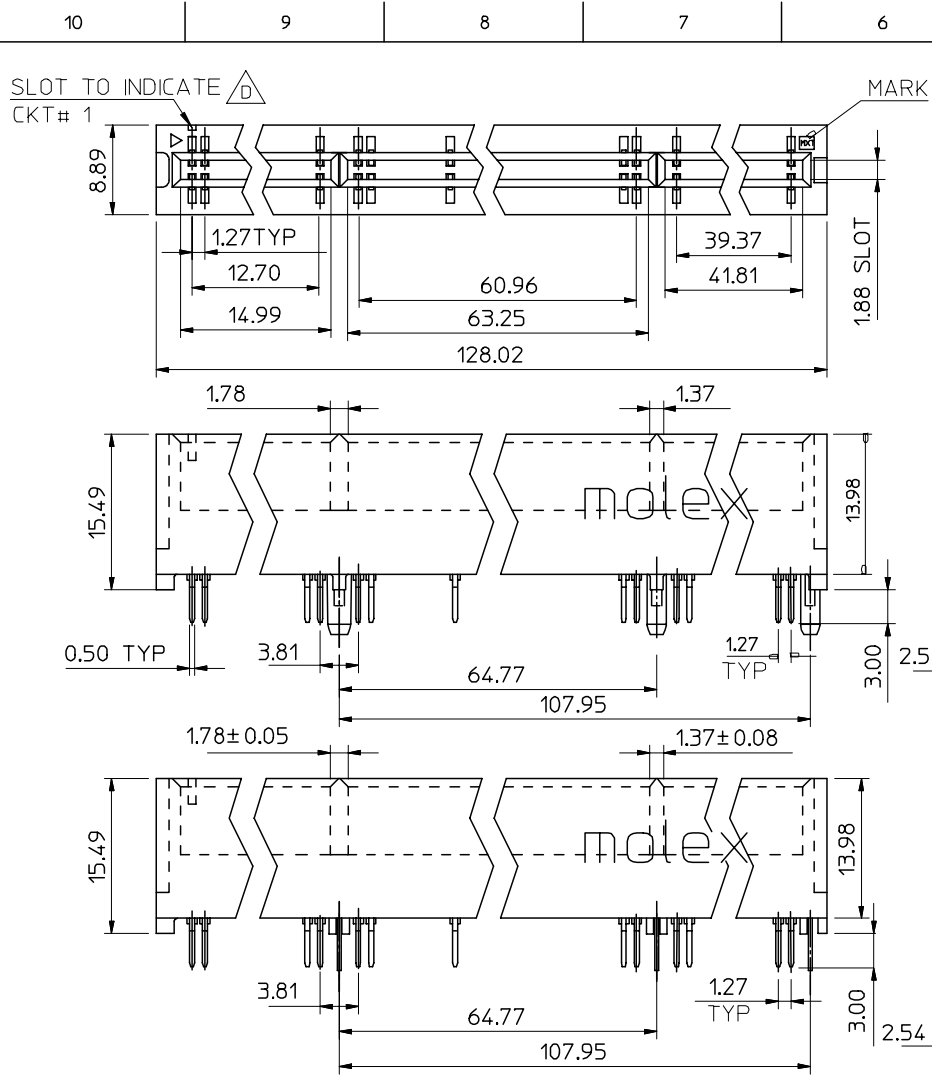
RECOMMENDED P.C. BOARD PATTERN



RECOMMENDED MATING P.C. BOARD EDGE CONFIGURATION

SEE SHEET 1 EC NO: SH2007-0620 DRWN: ALLIN CHKD: APPR: WWSCHANG	2007/03/05 2007/03/09 2007/03/13	QUALITY SYMBOLS ▽=0 ▽=0	GENERAL TOLERANCES (UNLESS SPECIFIED)		DIMENSION STYLE MM ONLY		SCALE 2:1	DESIGN UNITS METRIC	THIRD ANGLE PROJECTION				
			4 PLACES ± --- ± ---	3 PLACES ± --- ± ---	2 PLACES ± 0.25 ± ---	1 PLACE ± 0.25 ± ---	ANGULAR ± 3 °	DRAWN BY TOM	DATE 2005/02/04	TITLE ASS'Y 1.27MM EDGE CARD CONN 184 CKT (3.3V & 5V)			
			DRAFT WHERE APPLICABLE MUST REMAIN WITHIN DIMENSIONS					CHECKED BY ALL IN	DATE 2005/02/04	APPROVED BY WWSCHANG			
			SEE TABLE					MATERIAL NO.	DATE 2005/02/04	DOCUMENT NO. SD-48200-001		SHEET NO. 2 OF 4	

9 8 7 6 5 4 3 2 1



NOTES:

1. MATERIAL:

HOUSING : PPS
 TERMINAL: PHOSPHOR BRONZE



2.FINISH 0 - GOLD FLASH IN CONTACT AREA, 1.52um/60uin MIN. TIN IN SOLDER TAIL, BOTH OVER 0.76um/30uin MIN. NICKEL OVERALL.

1 - 0.25um/10uin MIN. GOLD IN CONTACT AREA, 1.52um/60uin MIN. TIN IN SOLDER TAIL, BOTH OVER 0.76um/30uin MIN. NICKEL OVERALL.

2 - 0.38um/15uin MIN. GOLD IN CONTACT AREA, 1.52um/60uin MIN. TIN IN SOLDER TAIL, BOTH OVER 0.76um/30uin MIN. NICKEL OVERALL.

3 - 0.76um/30uin MIN. GOLD IN CONTACT AREA, 1.52um/60uin MIN. TIN IN SOLDER TAIL, BOTH OVER 0.76um/30uin MIN. NICKEL OVERALL.

4 - 0.50um/20uin MIN. GOLD IN CONTACT AREA, 1.52um/60uin MIN. TIN IN SOLDER TAIL, BOTH OVER 0.76um/30uin MIN. NICKEL OVERALL.

3. PROCUDT SPECIFICATION REFER TO PS-48200-001.

4. PRODUCT SPECIFICATION : PER PS-48200-001

5. TEST SUMMARY : PER TS-48200-001

6. PACKAGE SPECIFICATION : PK-48200-001

7. LEAD FREE AND ROHS COMPLIANT PRODUCT

PART NO. LEGEND : 48200 - 92**

PEG VERSION, COLOR _____ PLATING VERSION (SEE NOTES 2)

2 : STANDARD , BROWN , 3.3V, PLASTIC PEG

3 : STANDARD , WHITE , 3.3V, PLASTIC PEG

4 : STANDARD , RED , 3.3V, PLASTIC PEG

6 : STANDARD , WHITE, 3.3V, METAL PEG

7 : STANDARD , GREEN , 3.3V, PLASTIC PEG (PANTON COLOR 365C)

8 : STANDARD , BLACK , 3.3V, PLASTIC PEG

SEE SHEET 1	DESCRIPTION
EC NO: SH2007-0620	
DRWN:ALLIN	
CHKD:	
APPR:WWSCHANG	
REV	

QUALITY SYMBOLS	DESCRIPTION
▽=0	
△=0	

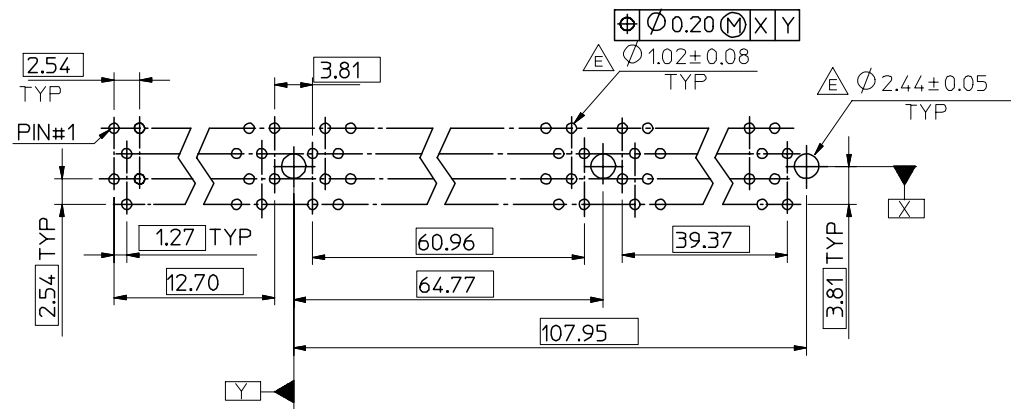
GENERAL TOLERANCES (UNLESS SPECIFIED)	
	MM ONLY
	INCH
4 PLACES	± ---
3 PLACES	± ---
2 PLACES	± 0.25
1 PLACE	± 0.25
ANGULAR ± 3 °	
DRAFT WHERE APPLICABLE MUST REMAIN WITHIN DIMENSIONS	

DIMENSION STYLE	
MM ONLY	
DRAWN BY	DATE
TOM	2005/02/04
CHECKED BY	DATE
ALL IN	2005/02/04
APPROVED BY	DATE
WWSCHANG	2005/02/04
MATERIAL NO.	
SEE TABLE	

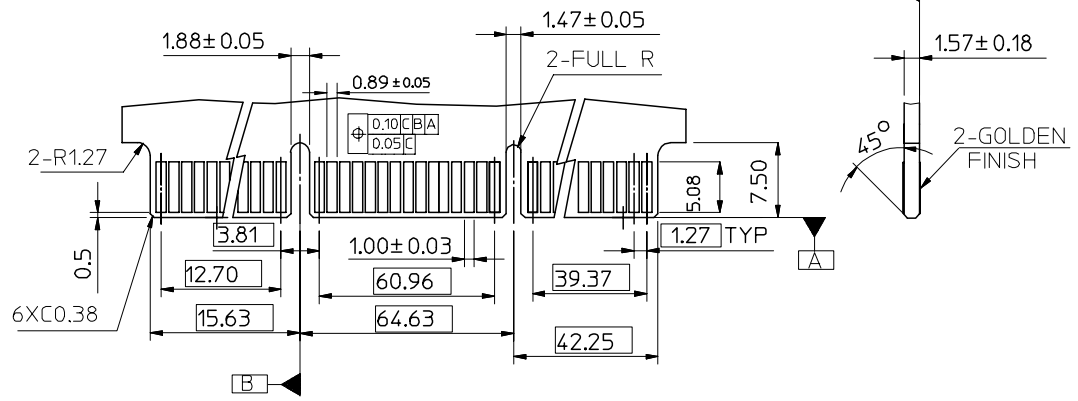
SCALE	DESIGN UNITS	THIRD ANGLE PROJECTION
2:1	METRIC	
TITLE		
ASS'Y 1.27MM EDGE CARD		
CONN 184 CKT (3.3V & 5V)		
MOLEX INCORPORATED		SHEET NO.
SD-48200-001		3 OF 4
THIS DRAWING CONTAINS INFORMATION THAT IS PROPRIETARY TO MOLEX INCORPORATED AND SHOULD NOT BE USED WITHOUT WRITTEN PERMISSION		

10 9 8 7 6 5 4 3 2 1

F
E
D
C
B
A



RECOMMENDED P.C BOARD PATTERN



RECOMMENDED MATING P.C. BOARD EDGE CONFIGURATION

SEE SHEET 1 EC NO: SH2007-0620 DRWN: ALLIN CHKD: APPR: WWSCHANG	2007/03/05 2007/03/09 2007/03/13	DESCRIPTION REV	QUALITY SYMBOLS	GENERAL TOLERANCES (UNLESS SPECIFIED)		DIMENSION STYLE		SCALE	DESIGN UNITS	THIRD ANGLE PROJECTION			
			$\nabla = 0$ $\nabla C = 0$	mm	INCH	MM ONLY	2:1	METRIC	DRAWN BY: TOM DATE: 2005/02/04 CHECKED BY: ALL IN DATE: 2005/02/04 APPROVED BY: WWSCHANG DATE: 2005/02/04		TITLE: ASS'Y 1.27MM EDGE CARD CONN 184 CKT (3.3V & 5V)		
			4 PLACES ± --- ± --- 3 PLACES ± --- ± --- 2 PLACES ± 0.25 ± --- 1 PLACE ± 0.25 ± --- ANGULAR ± 3 °	DRAFT WHERE APPLICABLE MUST REMAIN WITHIN DIMENSIONS		SEE TABLE		MATERIAL NO. DOCUMENT NO. SD-48200-001		MOLEX INCORPORATED		SHEET NO. 4 OF 4	
			THIS DRAWING CONTAINS INFORMATION THAT IS PROPRIETARY TO MOLEX INCORPORATED AND SHOULD NOT BE USED WITHOUT WRITTEN PERMISSION										

9 8 7 6 5 4 3 2 1