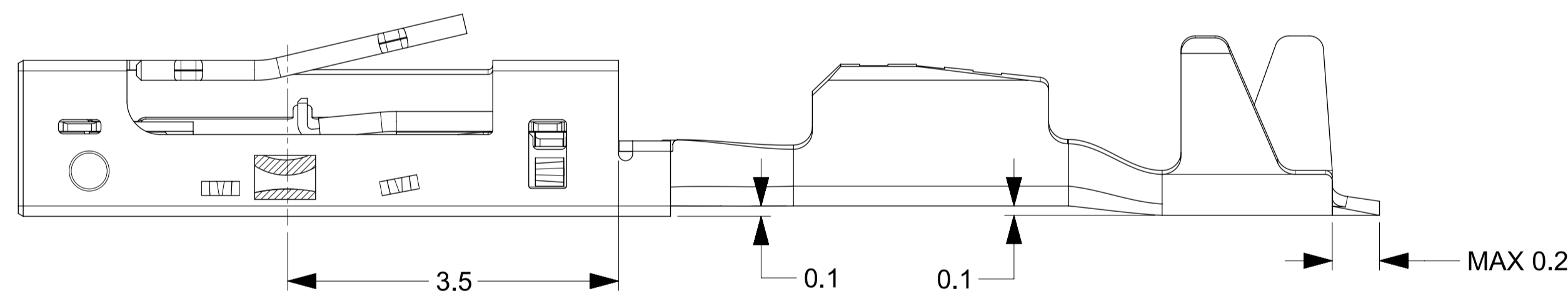
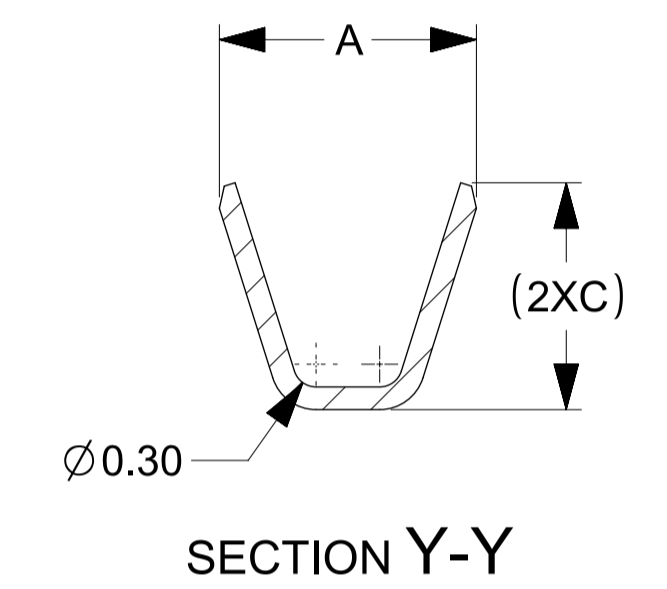
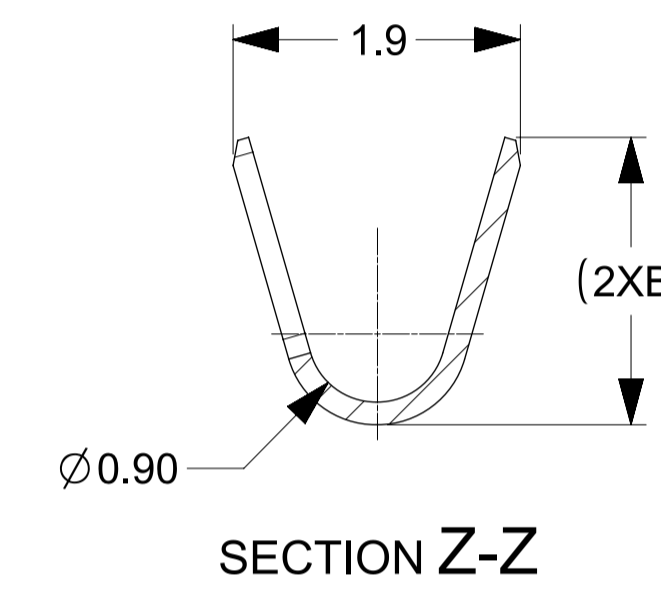
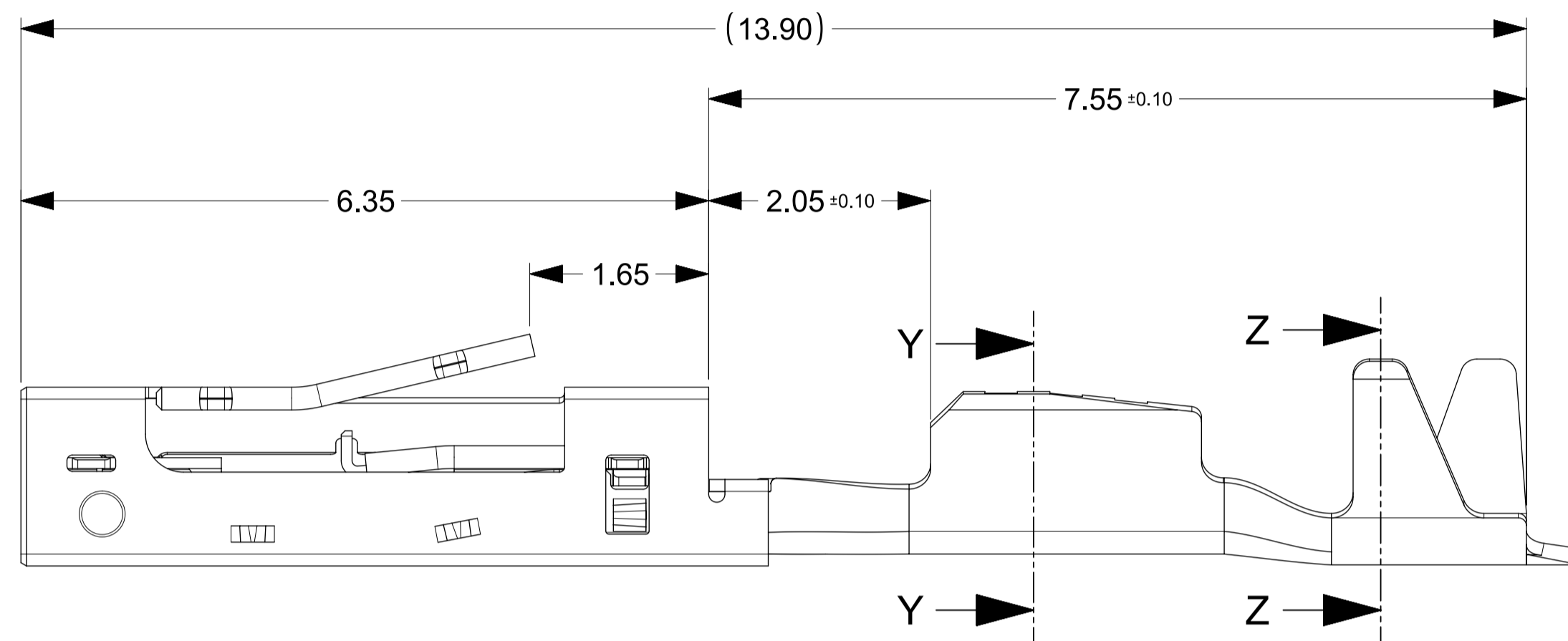
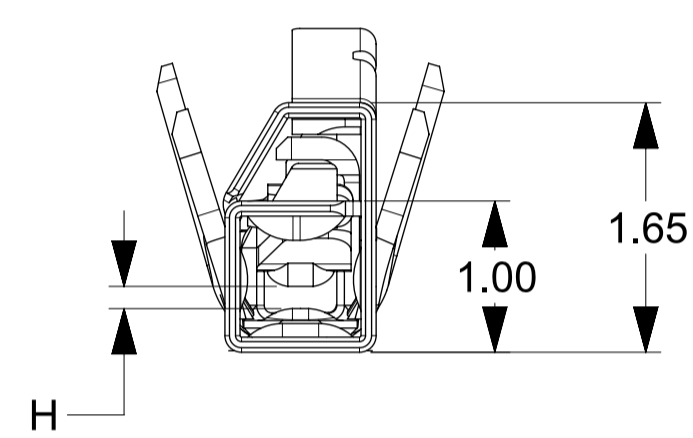


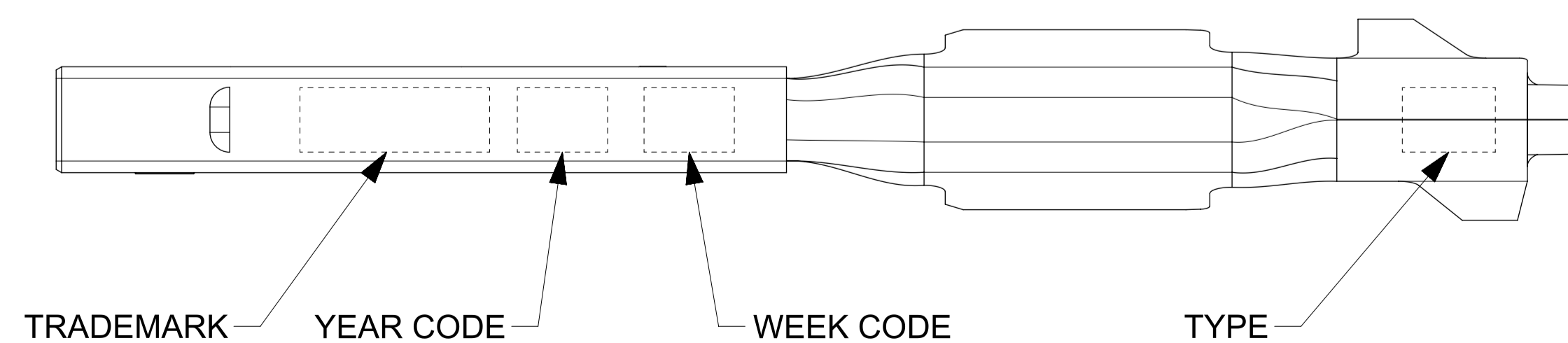
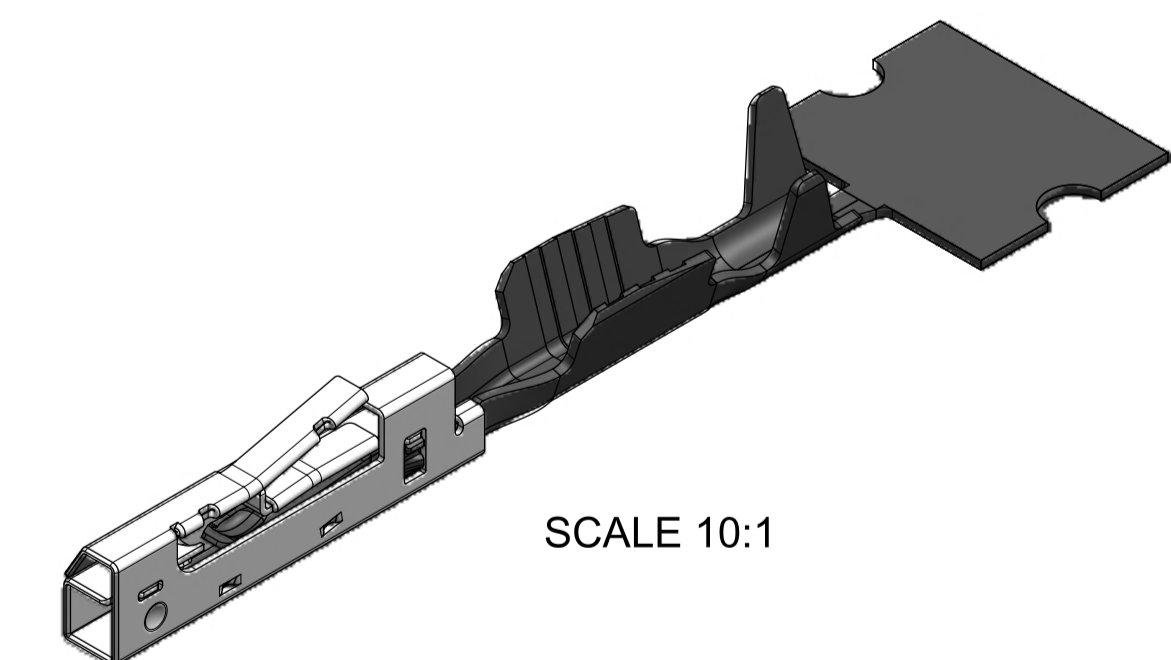
Part Number	Marking Type	Top Layer Plating Type	Grip Code	Wire Insulation OD - mm	Wire Size - mm ²	Pay Off Direction	Dimensions - mm			
							Dim A ±	Dim B ±	Dim C ±	Dim H ±
							0.10	0.10	0.10	0.05
2000960101	LTG	Sn	L	1.2-1.3	0.35	D	1.7	1.9	1.5	0.15
2000960201	STG	Sn	S	0.95-1.05	0.13	D	1.6	1.8	1.25	0.15
2000960161	LTG	Sn	L	1.2-1.3	0.35	B	1.7	1.9	1.5	0.15
2000960261	STG	Sn	S	0.95-1.05	0.13	B	1.6	1.8	1.25	0.15



NOTES: (UNLESS OTHERWISE SPECIFIED)

1. MATERIAL: COPPER ALLOY
2. PLATING: SEE TABLE 1
3. PACKAGING SPEC: 313025040
4. CRIMPING SPEC: 2000960001
5. PRODUCT SPEC: 2000960000

6. PROBING THE CONTACT INTERFACE OF THE TERMINAL OR AT ANY POINT ON THE TERMINAL BEAM IS NOT PERMITTED



QUALITY SYMBOLS □ = 0 ▽ = 0 ▽ = 0 ▽ = 0 ▽ = 0 ▽ = 0 ▽ = 0 ▽ = 0 ▽ = 0 ▽ = 0 ▽ = 0	THIS DRAWING CONTAINS INFORMATION THAT IS PROPRIETARY TO MOLEX ELECTRONIC TECHNOLOGIES, LLC AND SHOULD NOT BE USED WITHOUT WRITTEN PERMISSION									
	EC NO: 110263	DRWN: NBHAGYANATHA	CHKD: YLEPOTTIER	APPR: YLEPOTTIER	GENERAL TOLERANCES (UNLESS SPECIFIED)	ANGULAR TOL ± 1.0 °	DIMENSION UNITS	SCALE		
	2016/11/09	2016/11/15			4 PLACES ± 0.01	3 PLACES ± 0.015	MM	20:1	MOLEX TAK50_WR_TERM_RCPT UNSEALED	
					3 PLACES ± 0.015	2 PLACES ± 0.05	DRWN BY	DATE	PRODUCT CUSTOMER DRAWING	
					2 PLACES ± 0.05	1 PLACE ± 0.1	NBHAGYANATHA	2014/10/10	SERIES	
					1 PLACE ± 0.1	0 PLACES ± 0.2	CHK'D BY	DATE	MATERIAL NUMBER	
					0 PLACES ± 0.2	DRAFT WHERE APPLICABLE MUST REMAIN WITHIN DIMENSIONS	APPR BY	DATE	CUSTOMER	
							DRAWING SIZE	THIRD ANGLE PROJECTION	DOCUMENT NUMBER	
							A1		200096	
									DOC TYPE	
								PSD		
								DOC PART		
								000		
								SHEET NUMBER		
								1 OF 2		