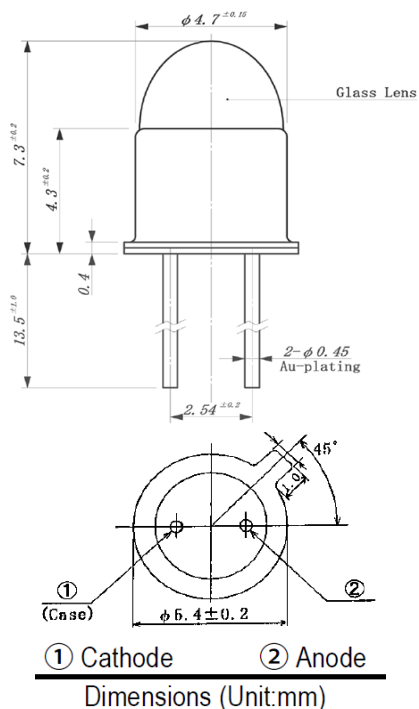
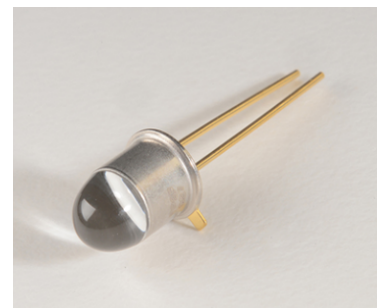


Peak Emission Wavelength: 1050nm



Description

- TO-46 with glass lens cap
- Type: InGaAs/InP, MQW
- High power
- High speed
- Narrow beam angle
- High reliability



Application

- Optical switches
- Optical communication
- Safety equipment
- Automation

Absolute Maximum Ratings (Ta=25°C)



ITEMS	TEST CONDITIONS	SYMBOL	RATINGS	UNIT
Forward DC Current		If	100	mA
Peak Forward Current (pulse)	t ≤ 50us, T = 100us	Ifp	200	mA
Reverse Voltage	Ir=10uA	Vr	5	V
Power Dissipation		Po	140	mW
Operating Temperature Range		Top	-20 to +85	°C
Storage Temperature Range		Tst	-30 to +100	°C
Lead Soldering Temperature	t < 5sec, 3mm from case	Tslg	260	°C
Junction Temperature		Tj	100	°C

Electrical & Optical Characteristics (Ta = 25°C)

ITEMS	SYMBOL	CONDITIONS	MIN	TYP	MAX	UNIT
Forward Voltage	Vf	If=20mA	--	1.15	1.4	V
Forward Voltage	Vf	If=50mA	--	1.2	1.45	V
Forward Voltage	Vf	If=100mA	--	1.25	1.5	V
Radiant Power	Φe	If=20mA	--	1.6	--	mW
Radiant Power	Φe	If=100mA	--	8	--	mW
Peak Wavelength	λp	If=20mA	1000	1050	1100	nm
Spectral Bandwidth	Δλ0.5	If=20mA	--	50	--	nm
Viewing Angle	φ	If=20mA	--	6	--	deg
Switching Time	tr, tf	If=20mA	--	10	--	ns

Spectral Response

