

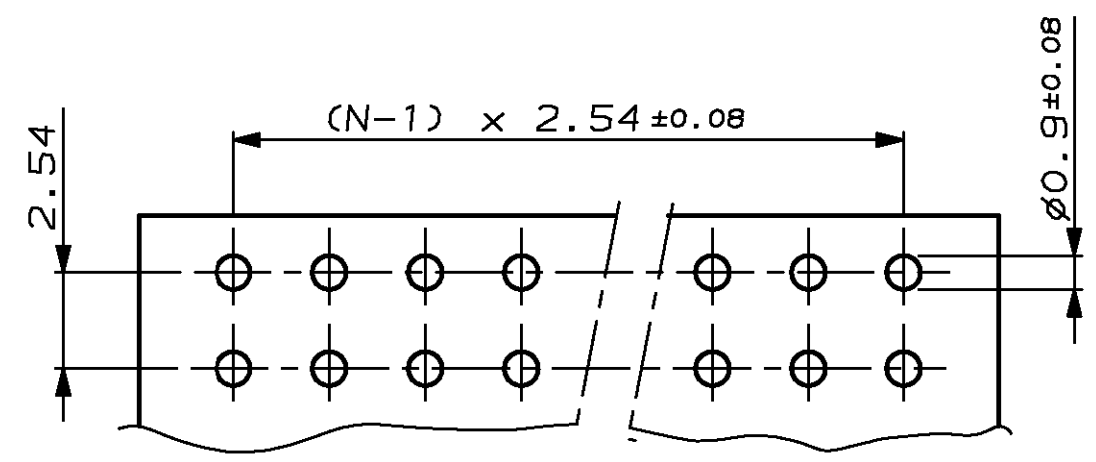
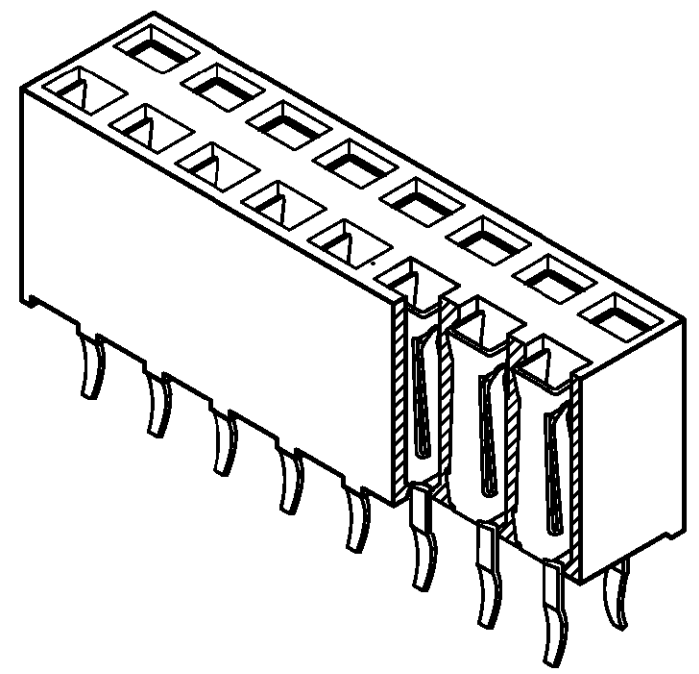
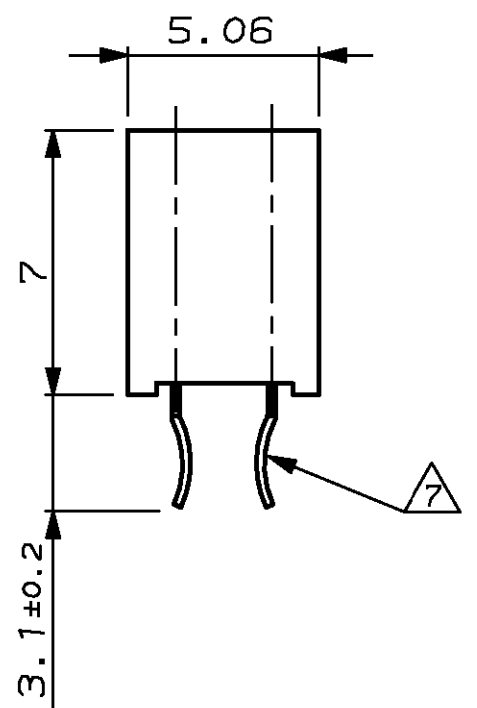
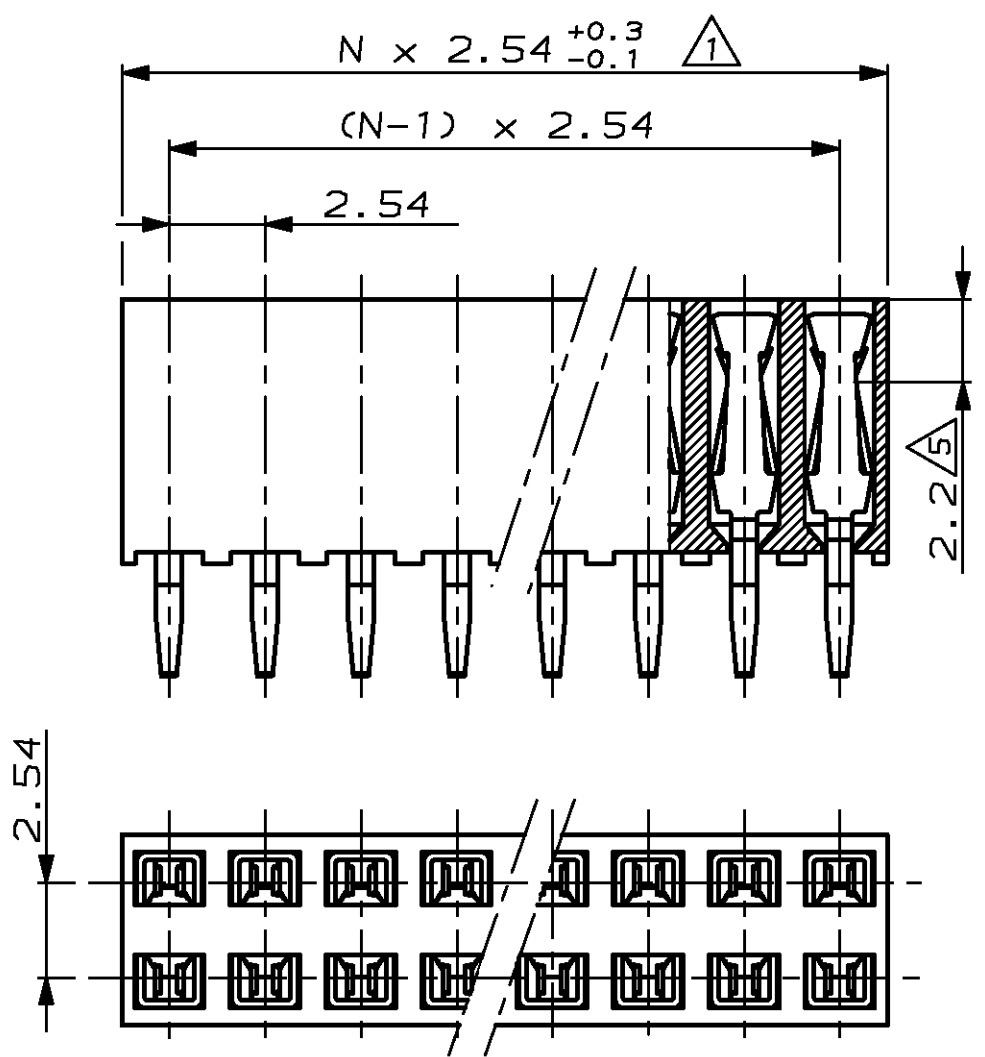
ZEICHNUNG GESCHÜTZT DURCH ©COPYRIGHT 1989 AMP DEUTSCHLAND GMBH ALLE RECHTE VORBEHALTEN	REV.	ÄNDERUNG	DATUM	NAME
	1	ZEICHNUNG IN EUROPEAN PROJECTION GEÄNDERT	03.12.90	A.HO
	2	LÖTLÄNGE VON 3 IN 3.1 GEÄNDERT	13.03.92	A.HO
	B	VERPACKUNGSANGABE HINZU	15.01.96	F.RDT

DO NOT SCALE METRIC
DIMENSIONS IN mm

EUROPEAN PROJECTION 

NOTES:

- 1. TO DETERMINE DIMENSIONS TAKE $2 \times N = \text{NR. OF POS.}$.
FOR EXAMPLE: $2 \times 10 \text{ POS.} = N \times 2,54 = 25,4 \text{ mm.}$
FOR ORDERNR. USE BASIC NR. + NR. OF POS.
FOR EXAMPLE: $2 \times 2 \text{ POS.} = 215 308-2$ (SHORTEST VERSION)
 $2 \times 36 \text{ POS.} = 3-215 308-6$ (LONGEST VERSION)
- 2. HOUSING MATERIAL: GREEN GLASSFILLED POLYESTER, UL 94V-0
CONTACT MATERIAL: PHOSPHORBRONZE.
- 3. PLATING: $2.5 \mu\text{m Sn}$
- 4. MATES WITH 0,63 SQUARE/ROUND MODU POSTS.
- 5. CONTACT-POINT.
- 6. RECOMMENDED P.C. BOARD-THICKNESS: 1,6.
- 7. RETENTION FEATURE.
- 8. HV100 CONNECTOR PACKED IN ANTISTATIC BLISTER



P.C.-BOARD HOLE-PATTERN

NICHT TOLERIERTE MASSE
± 0.1mm
± -
MASSTAB 5:1

VERWENDET FÜR E 92-9803	SEE NOTES FINISH	SEE NOTES MATERIAL	SEE NOTES PARTNUMBER
CUSTOMER DRAWING	AMP AMP-HOLLAND B.V. 's-Hertogenbosch, The Netherlands.		
FOR REFERENCE ONLY WILL NOT BE UPDATED	THIS DRAWING IS UNPUBLISHED - © COPYRIGHT 1987 BY AMP-HOLLAND B.V. ALL INTERNATIONAL RIGHTS RESERVED. AMP PRODUCTS MAY BE COVERED BY U.S. AND FOREIGN PATENTS AND/OR PATENTS PENDING.		
DR. A.HO	DATE 24.02.89	WIRE RANGE -	NAME HV 100 VERTICAL CONNECTOR DUAL ROW, 7,0mm HEIGHT, TOP ENTRY, TIN, MAX. 2x36 POSITIONS.
CHK. M.SCHAARSCHMIDT	DATE 24.02.89	INSUL. RANGE -	REV. DATE D M Y 150196
APP. G.FELDMEIER	DATE	SIZE A3	SHEET 1 OF 1
		DWG. No.	215 308
		REV. LTR.	B