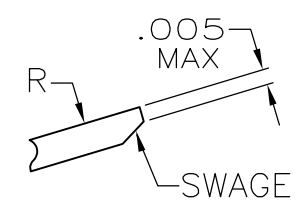
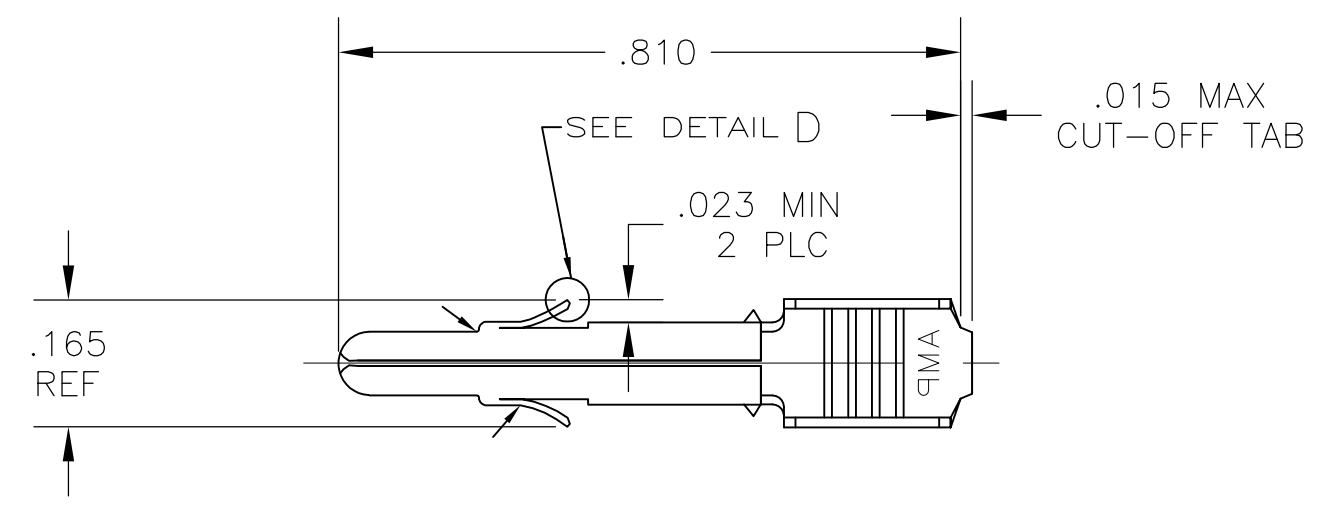


THIS DRAWING IS UNPUBLISHED. RELEASED FOR PUBLICATION  
 © COPYRIGHT - By - ALL RIGHTS RESERVED.

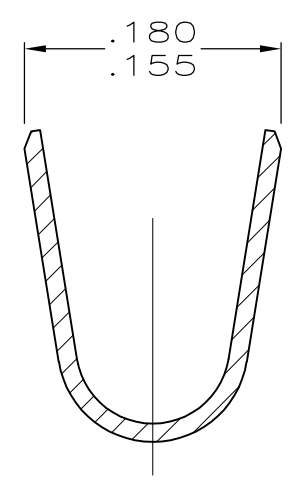
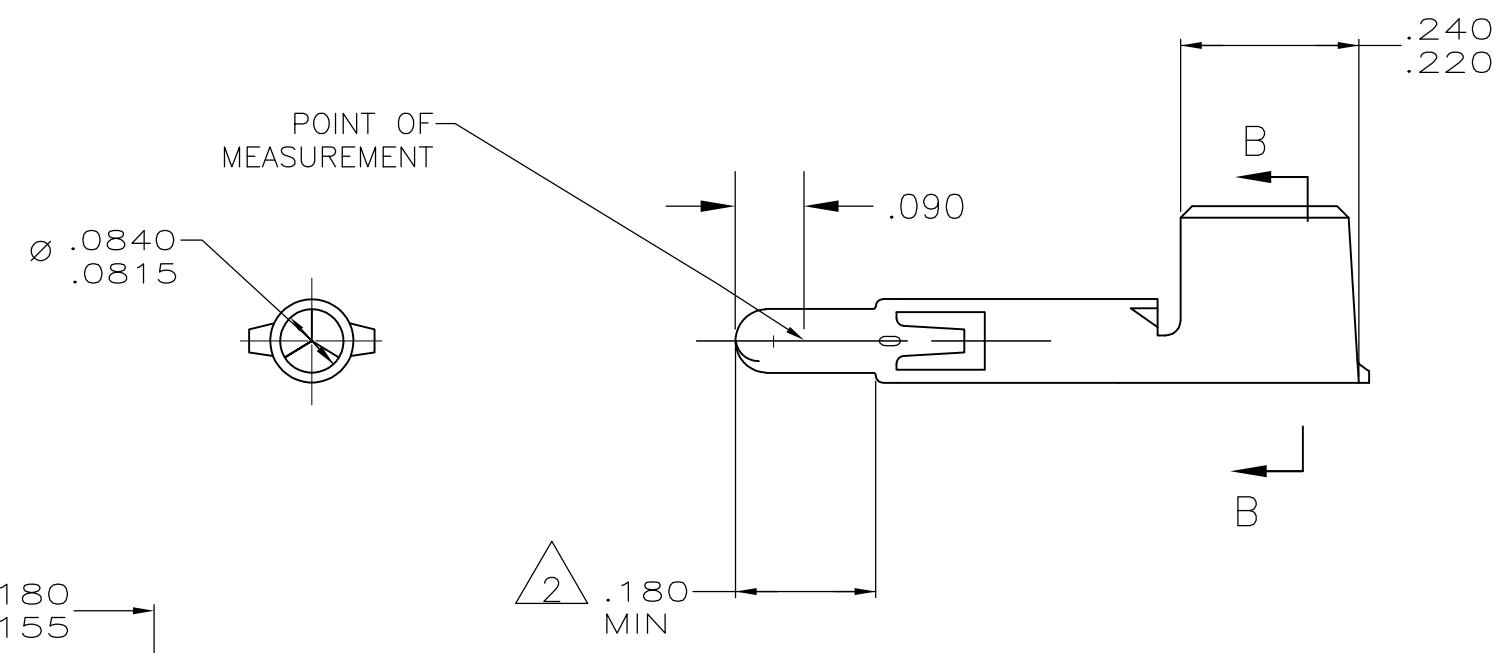
LOC	DIST	REVISIONS					
CM	00	P	LTR	DESCRIPTION	DATE	DWN	APVD
		J2		REV PER ECO 11-020508	11OCT11	JR	PD



DETAIL C  
SCALE 20:1



- WIRE RANGE : 12-10 AWG  
INSULATION RANGE: .200 DIA MAX  
(LIMITED BY THE CONNECTOR HOUSING CAVITY).
- PLATED WITH .000030 GOLD, OVER  
.000050 NICKEL UNDERPLATE.



SECTION B-B  
SCALE 10:1

GOLD $\triangle 2$	.012 PHOS. BRZ.	640309-6
PRE-TIN	.12 PHOS. BRZ.	640309-3
FINISH	MATERIAL	PART NUMBER

THIS DRAWING IS A CONTROLLED DOCUMENT.		DWN	JR RUTH	11OCT11	TE Connectivity PIN, UNIVERSAL MATE-N-LOK(TM)								
DIMENSIONS: INCHES		CHK	TOM MICHIELUTTI	11OCT11				NAME					
TOLERANCES UNLESS OTHERWISE SPECIFIED:		APVD	TOM MICHIELUTTI	11OCT11				PRODUCT SPEC					
0 PLC ± - 1 PLC ± - 2 PLC ± - 3 PLC ± .005 4 PLC ± - ANGLES ± -		APPLICATION SPEC						RESTRICTED TO					
MATERIAL		FINISH		WEIGHT	SIZE		CAGE CODE	DRAWING NO	RESTRICTED TO				
				-		A3 00779		C-640309		-			
CUSTOMER DRAWING								SCALE	4:1	SHEET	1 OF 1	REV	J2