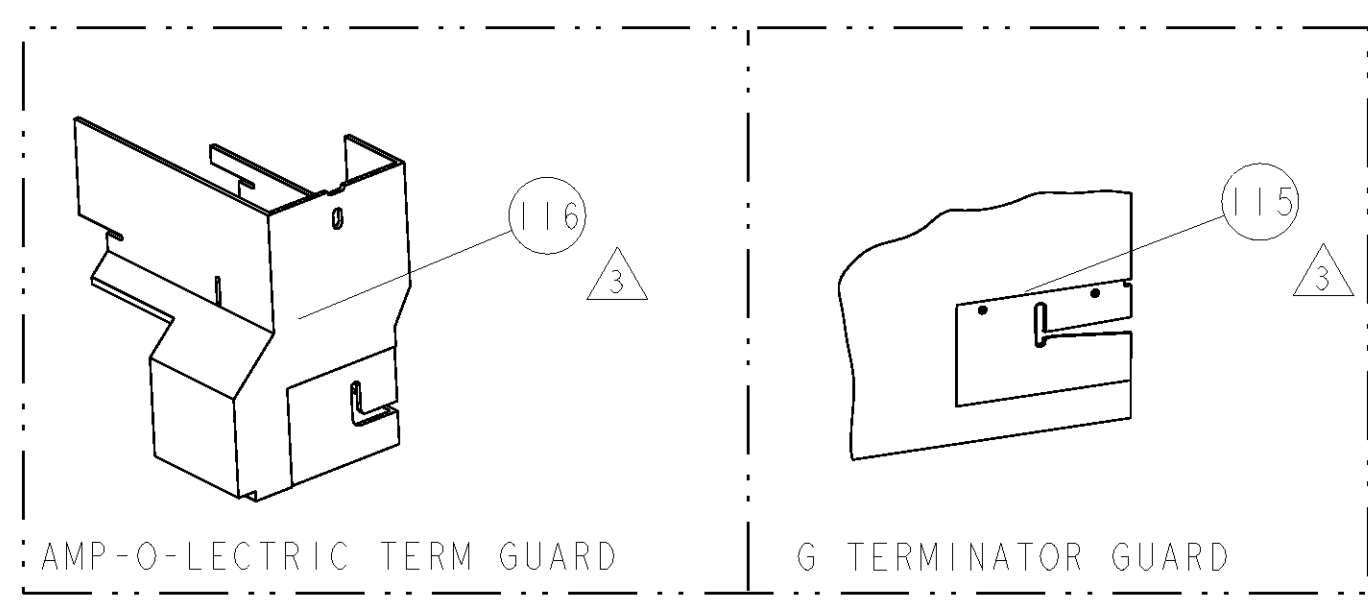


PART NUMBER	REV	FIRST USED	POWER UNIT	FEED TYPE	DESCRIPTION
1855527-1	B	122500-1	LEADMAKER	POST FEED	CUTS CARRIER
1855527-2	B	565435-5	BENCH MODEL K	PRE FEED	CUTS CARRIER
1855527-3	B	354500-1	BENCH MODEL G	PRE FEED	CUTS CARRIER
1855527-6	B	122500-1	LEADMAKER	POST FEED	CONTINUOUS CARRIER
7-1855527-7	B	-	-	-	SPARE PARTS

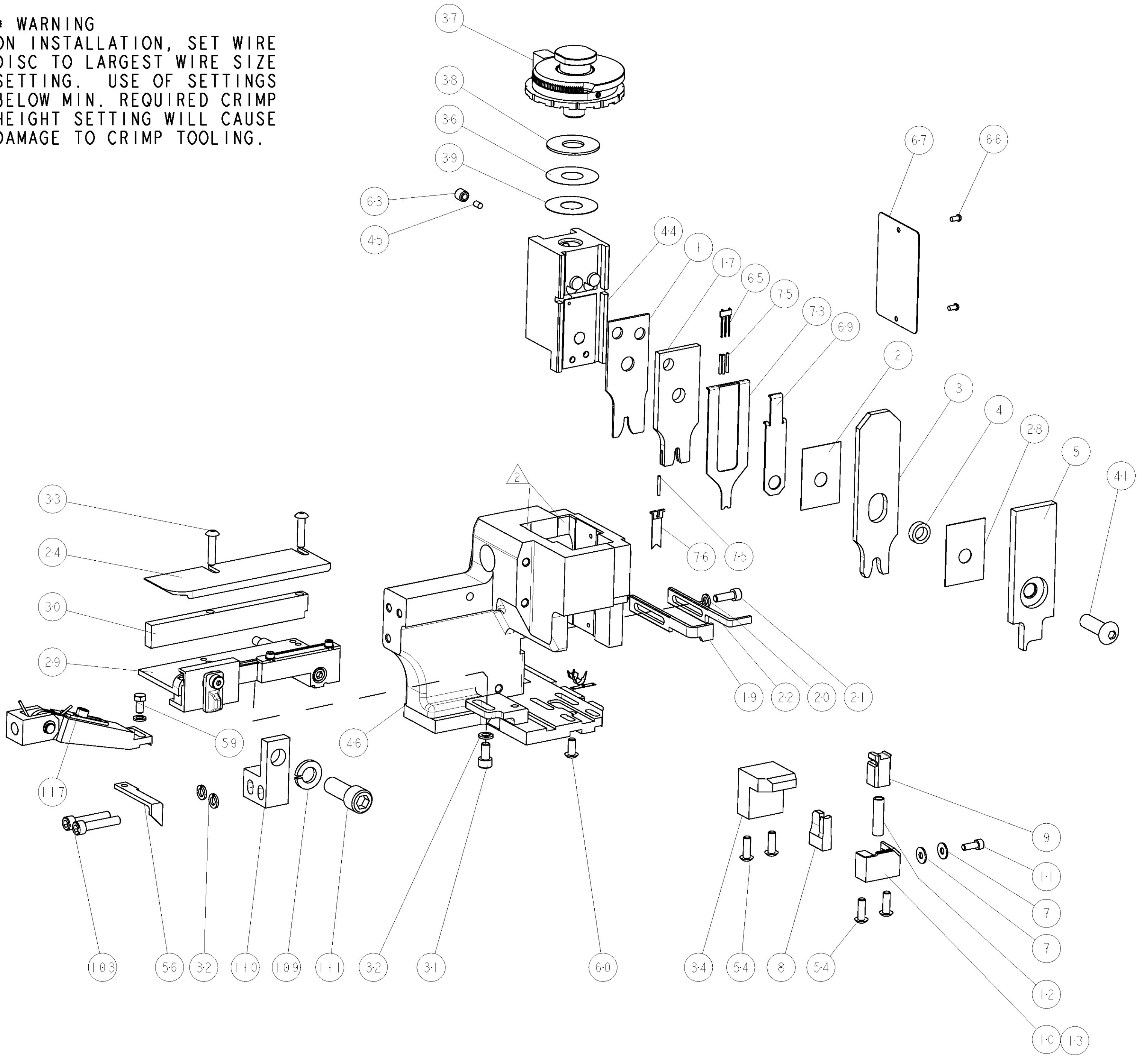
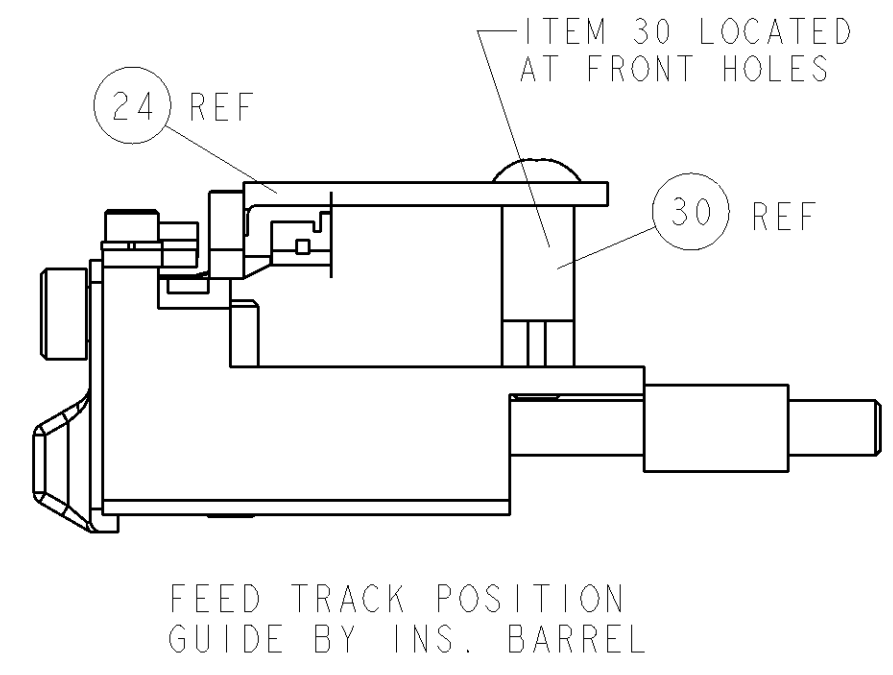


TE PN		TE TERMINAL - TE CRIMP SPECS		REF SETTING
1987984	-	CRIMP HEIGHT		A6
-	-	WIRE SIZE		D6
-	-	2.39mm+ .05/- .05 [.094+ .002/- .002]	10AWG or 6mm2	-
-	-	1.88mm+ .05/- .05 [.074+ .002/- .002]	12AWG or 4mm2	-
CRIMP	SIZE	TYPE	RANGE	
WIRE	3.05mm [.120]	F	10-12 AWG	
STABL	3.05mm [.120]	O	10-12 AWG	
INSUL	6.60mm [.260]	O	Ø 4.35 - Ø 6.4	
WIRE STRIP LENGTH	3.81-7.62	TERM APPL SPEC	FEED	16.00
APPLICATOR INSTRUCTIONS		408-8040		
SET UP GAGE		458637-1		

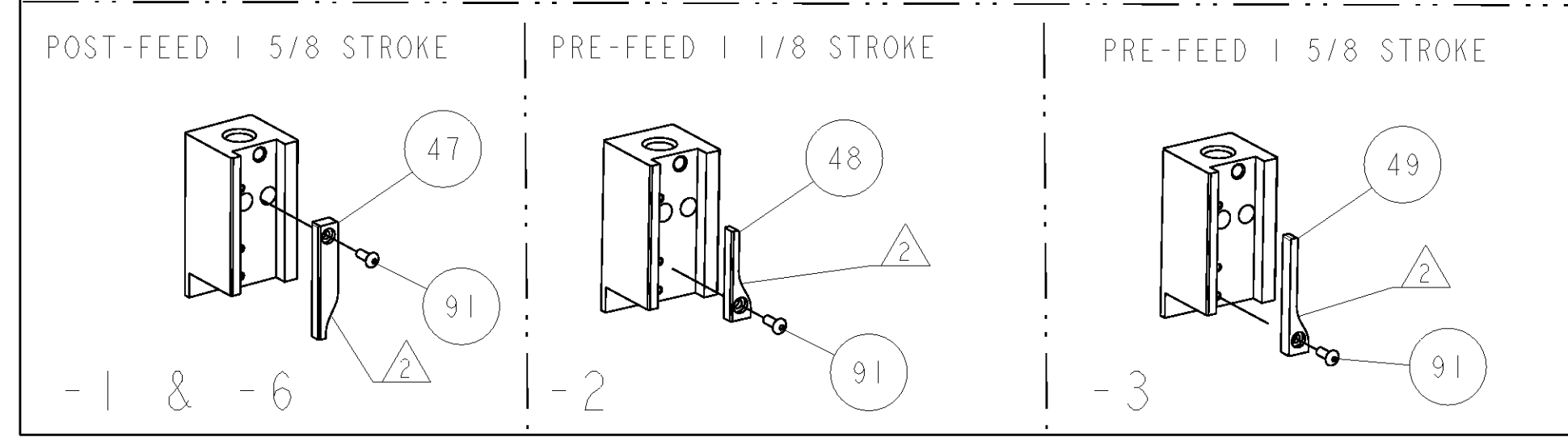
LOC	DIST	REV	DATE	BY	APPV
A	66	2	01OCT2009	BK	GB
		3	19NOV2009	BH	BH
		A	30MAR2010	BH	BH
		B	26APR2010	LG	GB

- △ RECOMMENDED SPARE PARTS
- △ GREASE LIGHTLY
- △ GUARD MUST BE IN PLACE WHEN OPERATING APPLICATOR IN A BENCH MACHINE

*** WARNING**
ON INSTALLATION, SET WIRE DISC TO LARGEST WIRE SIZE SETTING. USE OF SETTINGS BELOW MIN. REQUIRED CRIMP HEIGHT SETTING WILL CAUSE DAMAGE TO CRIMP TOOLING.



ITEM NO	QTY	DESCRIPTION	DATE	BY	APPV
117	-	461062-1	FEED FINGER ASSEMBLY		
116	-	455749-1	GUARD WINDOW		
115	-	679532-1	INSERT, GUARD		
111	-	3-21001-5	SCR, SKT HD CAP 3/8-16 X 1.000		
110	-	459610-1	MOUNT, FEED BRACKET		
109	-	21024-8	WASHER, SPRG LOCK, REG 3/8		
108	-	692655-7	AIR FEED VALVE ASSEMBLY		
105	-	692655-5	AIR FEED VALVE ASSEMBLY		
104	-	461065-1	ASSEMBLY, AIR FEED		
103	-	3-21000-9	SCR, SKT HD CAP 10-32 X 1.000		
91	-	1-21002-7	SCR, BTN SKT HD CAP 6-32 X .375		
76	-	1338469-2	DEPRESSOR, WIRE		
75	-	2-23147-2	SPRING, COMPRESSION		
73	-	1490525-2	DEPRESSOR, WIRE		
72	-	4088040	SF APPL INST 408-8040		
71	-	217238-1	GENERAL INSTRUCTION PKG		
69	-	1490524-2	DEPRESSOR, SPACER		
67	-	461264-5	PLATE, IDENTIFICATION		
66	-	21017-2	SCREW, DRIVE		
65	-	1424350-1	HOLDER, PIN, WIRED		
63	-	21009-2	SCR, SET, SELF LOCKING 1/4-20 X .250		
60	-	22733-8	SCR, BHSC, SELF-LOCKING, 8-32 X .375		
59	-	2-22603-0	SCREW, MACH, HEX HD, 8-32 X .312		
56	-	458537-2	PAWL, FEED		
54	-	2-21002-2	SCR, BTN SKT HD CAP 8-32 X .500		
49	-	690602-6	CAM, PRE FEED, 1 5/8		
48	-	690602-5	CAM, PRE FEED, 1 1/8		
47	-	690501-4	CAM, POST-FEED 1 5/8		
46	-	2-1633399-0	APPL. BASIC AIR FEED SUB ASSY		
45	-	690191-1	PLUG, NYLON		
44	-	2-819307-9	RAM, SIDE FEED		
41	-	7-21002-9	SCR, BTN SKT HD CAP 5/16-24 X 1.00		
39	-	690125-1	SHIM SUB-ASSY		
38	-	1-469367-1	SHIM		
37	-	879103-3	FINE ADJUST HEAD ASSEMBLY		
36	-	469367-2	SHIM		
34	-	1633912-1	WIRE STOP		
33	-	2-21002-4	SCR, BTN SKT HD CAP 8-32 X .750		
32	-	21024-5	WASHER, SPRG LOCK, REG NO 10		
31	-	3-21000-4	SCR, SKT HD CAP 10-32 X .375		
30	-	1320908-3	SPACER, STRIP GUIDE		
29	-	1633091-1	ASSEMBLY, STRIP GUIDE		
28	-	455888-4	SPACER, CRIMPER		
24	-	1320928-1	PLATE, STRIP GUIDE		
22	-	690472-2	STRIPPER		
21	-	2-21000-7	SCR, SKT HD CAP 8-32 X .500		
20	-	21024-4	WASHER, SPRG LOCK, REG NO 8		
19	-	691353-1	STRIPPER		
17	-	1633872-1	CRIMPER, WIRE O		
13	-	679625-2	SHEAR HOLDER, FRONT (NO CUT)		
12	-	3-22280-3	SPRING, COMPRESSION		
11	-	1-21000-9	SCR, SKT HD CAP 6-32 X .375		
10	-	1-690459-0	SHEAR HOLDER, FRONT		
9	-	454276-5	FLOATING SHEAR, FRONT		
8	-	1633913-1	ANVIL, COMBINATION		
7	-	21055-5	WASHER, FLAT, REG NO 6		
5	-	3-455889-8	DEPRESSOR, SHEAR		
4	-	238011-1	BLOCK, CRIMPER SPACER		
3	-	3-456135-4	CRIMPER, INSULATION O PREMIUM		
2	-	455888-3	SPACER, CRIMPER		
1	-	3-1752057-3	CRIMPER, WIRE PREMIUM, STEPPED		



DIMENSIONS: INCHES		TOLERANCES UNLESS OTHERWISE SPECIFIED:		DWN: STAKEM 16JUL2009		Tyco Electronics Tyco Electronics Harrisburg, PA 17105-3608	
1/16		1/32		CHK: G. BAILEY 16JUL2009		NAME: FINE ADJUST SIDE FEED HDM APPLICATOR	
3/64		1/64		APVD: N. DEMING 16JUL2009		PRODUCT SPEC: -	
1/32		1/32		MATERIAL: -		APPLICATION SPEC: -	
1/64		1/64		WEIGHT: -		SIZE: A1 00779 C=1855527	
1/128		1/128		FINISH: -		CUSTOMER ACCESSIBLE PRODUCTION DRAWING	
1/256		1/256		SCALE: 3:5		SHEET 1 OF 1	
1/512		1/512		REV: B		RESTRICTED TO: -	