

SPECIFICATIONS

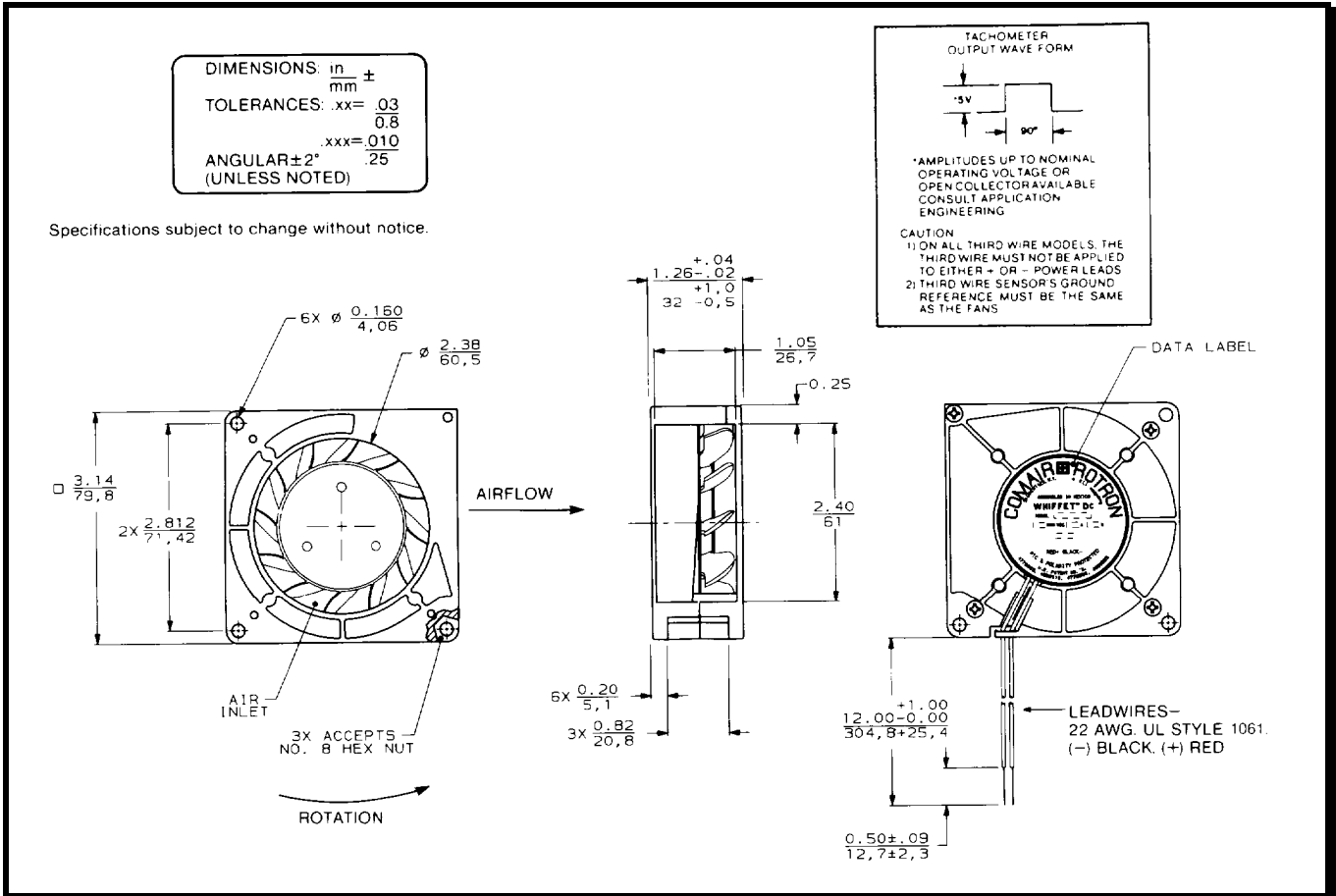
RoHS Compliant



Model Number: WT12M3
Part Number: 19031103

Spec No: 26010505 A00
October 8, 2004

Mechanical Drawing:



Motor:

Nominal Voltage = 12 vdc
 Operating Voltage Range = 6 to 14 vdc
 Nominal Running Current = 0.090 amps
 Max. Locked Rotor Current = 0.330 amps
 Running Power = 1.10 watts
 Average Speed = 2300 RPM
 Bearings = Ball
 Air Flow = 8.7 CFM
 Acoustic = 36.0 dBA

Construction:

Venturi: Plastic, Black, UL 94V-0
 Propeller: Plastic, Black, UL 94V-0

Life Expectancy:

This fan is designed for continuous duty life of 80,000 hours at 25°C.

Additional Features:

Brushless DC Motor
 Locked Rotor Protection
 Reverse Polarity Protected
 Automatic Restart Capability
 Operating Temperature: -10°C to 70°C
 Storage Temperature: -40°C to 85°C

Termination:

12" Lead wires, 22AWG, UL 1061
 Red = (+) Fan Power
 Black = (-) Fan Ground

Agency Approvals:

UL, cUL