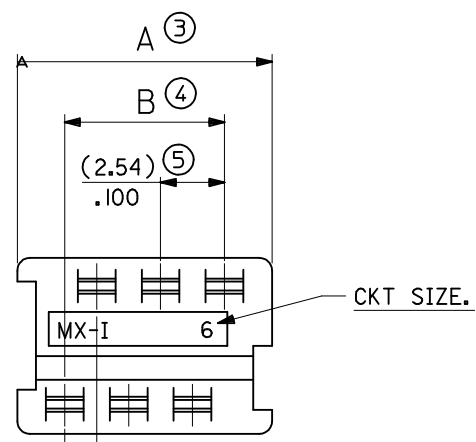


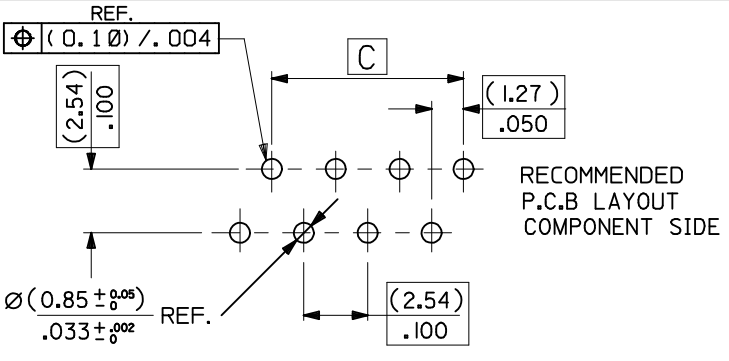
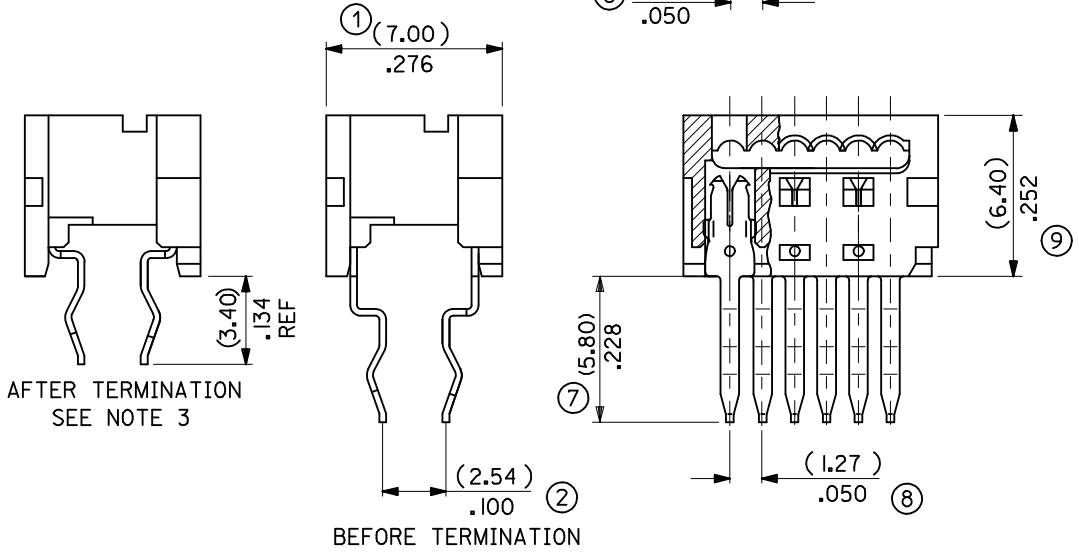
90584	-**26	26	(35.53)/1.399	(31.75)/1.250	(30.48)/1.200
	-**24	24	(32.99)/1.299	(29.21)/1.150	(27.94)/1.100
	-**22	22	(30.45)/1.199	(26.67)/1.050	(25.40)/1.000
	-**20	20	(27.91)/1.099	(24.13)/.950	(22.86)/.900
	-**18	18	(25.37)/.999	(21.59)/.850	(20.32)/.800
	-**16	16	(22.83)/.899	(19.05)/.750	(17.78)/.700
	-**14	14	(20.29)/.799	(16.51)/.650	(15.24)/.600
	-**12	12	(17.75)/.699	(13.97)/.550	(12.70)/.500
	-**10	10	(15.21)/.599	(11.43)/.450	(10.16)/.400
	-**08	8	(12.67)/.499	(8.89)/.350	(7.62)/.300
	-**06	6	(10.13)/.399	(6.35)/.250	(5.08)/.200
90584	-**04	4	(7.59)/.299	(3.81)/.150	(2.54)/.100
PART NO.	CCT SIZE		DIMENSION A	DIMENSION B	DIMENSION C



**HOUSING**  
MATL. POLYESTER, RATED UL 94V-0, COLOUR WHITE.

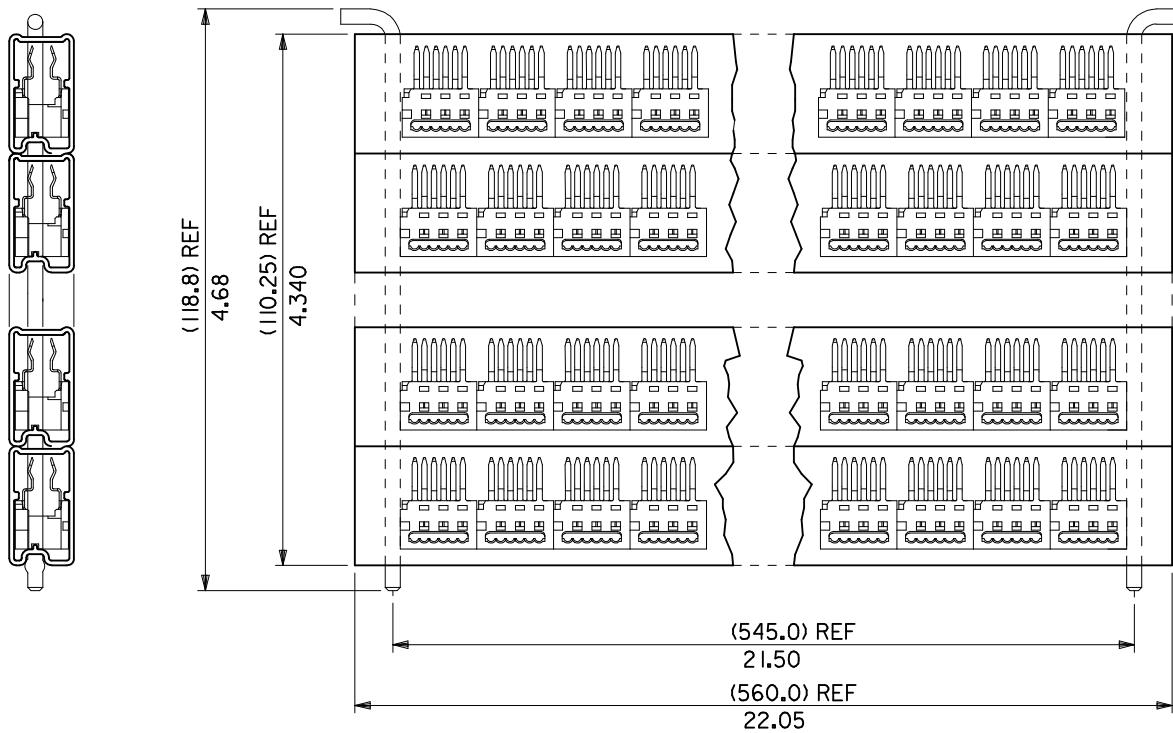
**IDT CONTACT**  
MATL : PHOSPHOR BRONZE (0.28)/.011 REF THICK.  
PLATING : (2-4um) / 80-160u" TIN

- NOTES:**
1. APPL. CLASS TO DIN 40040 HME (-25°C/+100°C)
  2. PRODUCT SPECIFICATION: PS-99020-0011
  3. WIRE TERMINATION SPEC: ES-99033-0002
  4. PACKAGING SPEC: PK-90584-001
- 90584- \* \* \* \*
- 04 TO 26 = CKT SIZE.
  - 3= NO CIRCUITS VOIDED.
  - 4= CIRCUITS 4 & 5 VOIDED.
  - 1= INDIVIDUAL TUBED ASSY
  - 2= STACKED TUBED ASSY - SEE SHEET 2
  - 8 = NON STANDARD TUBE OPTION - SEE SHEET 3
  - 9= NON STANDARD OPTION - SEE SHEET 3



ADDED NON STD TUBE EC NO: IPG2015-0003 DRWN:DBYRNES 2014/07/07 CHKD: APPR:STGRFFIN 2014/10/30	QUALITY SYMBOLS ▽=0 △=0	GENERAL TOLERANCES (UNLESS SPECIFIED)		DIMENSION STYLE	SCALE	DESIGN UNITS	THIRD ANGLE PROJECTION
		mm	INCH	MM/IN	5:1	METRIC	
DRAWN BY: DMCNAR CHECKED BY: BMAGUIRE APPROVED BY: MWILHITE	DESCRIPTION	4 PLACES ± --- ± ---	DATE	DRAWN BY		TITLE	
		3 PLACES ± --- ± .010	2003/09/01	DATE	1.27MM PF LOW PRO IDT BOARD-IN CONNECTOR		
MATERIAL NO.	REVISION	2 PLACES ± 0.25 ± ---	DATE	CHECKED BY		MOLEX INCORPORATED	
		1 PLACE ± --- ± ---	2003/09/01	DATE	SDA-90584		
ANGULAR ± 2 °		DRAFT WHERE APPLICABLE MUST REMAIN WITHIN DIMENSIONS		SEE CHART		DOCUMENT NO.	SHEET NO.
SIZE A3		THIS DRAWING CONTAINS INFORMATION THAT IS PROPRIETARY TO MOLEX INCORPORATED AND SHOULD NOT BE USED WITHOUT WRITTEN PERMISSION					

10 9 8 7 6 5 4 3 2 1



STACKED TUBED ASSEMBLY

<b>REVISION UPDATE</b> EC NO: E2005-1027 DRWN:GMSWEN 2005/05/10 CHK'D:DMOR I ARTY 2005/05/10 APPR: JDENNEHY 2005/05/26	QUALITY SYMBOLS ▽=0 ◻=0	GENERAL TOLERANCES (UNLESS SPECIFIED) mm INCH 4 PLACES ± --- ± --- 3 PLACES ± --- ± .010 2 PLACES ± 0.25 ± --- 1 PLACE ± --- ± --- ANGULAR ± 2 °	DIMENSION STYLE MM/IN DRAWN BY PW DATE 1994/02/25 CHECKED BY DMOR I ARTY DATE 2005/05/06 APPROVED BY JDENNEHY DATE 2005/05/10	SCALE NTS DESIGN UNITS METRIC THIRD ANGLE PROJECTION	TITLE 1.27MM PF LOW PRO IDT BOARD-IN CONNECTOR
	DRAFT WHERE APPLICABLE MUST REMAIN WITHIN DIMENSIONS	MATERIAL NO. SEE SHEET 1	DOCUMENT NO. SDA-90584	SHEET NO. 2 OF 3	
	SIZE A3	THIS DRAWING CONTAINS INFORMATION THAT IS PROPRIETARY TO MOLEX INCORPORATED AND SHOULD NOT BE USED WITHOUT WRITTEN PERMISSION			
	MOLEX INCORPORATED				

9 8 7 6 5 4 3 2 1