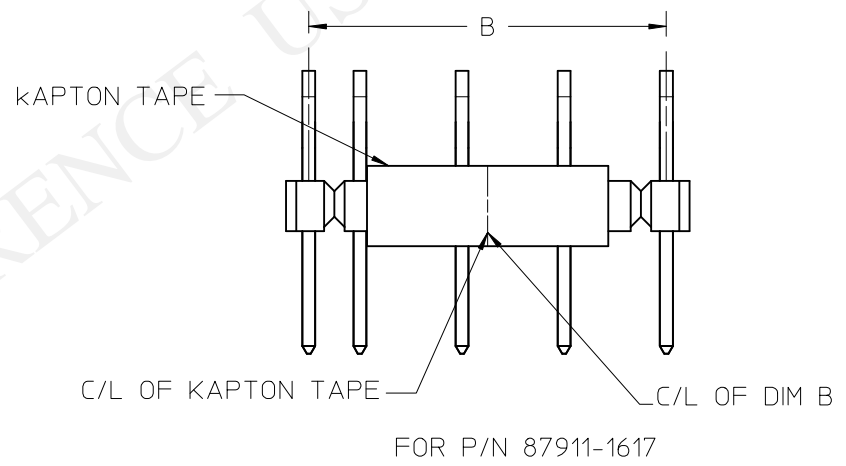


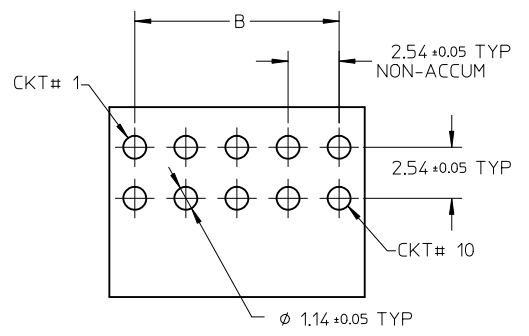
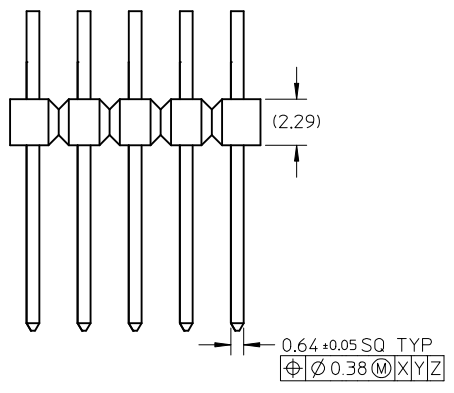
| CKT SIZE | DIMENSION | |
|----------|-----------|-------|
| | A | B |
| 02 | 2.54 | - |
| 04 | 5.08 | 2.54 |
| 06 | 7.62 | 5.08 |
| 08 | 10.16 | 7.62 |
| 10 | 12.70 | 10.16 |
| 12 | 15.24 | 12.70 |
| 14 | 17.78 | 15.24 |
| 16 | 20.32 | 17.78 |
| 18 | 22.86 | 20.32 |
| 20 | 25.40 | 22.86 |
| 22 | 27.94 | 25.40 |
| 24 | 30.48 | 27.94 |
| 26 | 33.02 | 30.48 |
| 28 | 35.56 | 33.02 |
| 30 | 38.10 | 35.56 |
| 32 | 40.64 | 38.10 |
| 34 | 43.18 | 40.64 |
| 36 | 45.72 | 43.18 |
| 38 | 48.26 | 45.72 |
| 40 | 50.80 | 48.26 |
| 42 | 53.34 | 50.80 |
| 44 | 55.88 | 53.34 |
| 46 | 58.42 | 55.88 |
| 48 | 60.96 | 58.42 |
| 50 | 63.50 | 60.96 |

| PART NO. | | | CKT SIZE | VOID POSITION | PLATING TYPE | PACKAGING SPECIFICATION | DIMENSION | | |
|---------------|------------|------------|----------|-------------------------|--------------|-------------------------|--------------|---------------|------|
| TAPE AND REEL | TRAY | TUBE | | | | | MATING END M | SOLDER TAIL P | E |
| - | - | 87911-0207 | 02 | - | 1 | 1 | 5.80 | 3.60 | 1.81 |
| - | - | 87911-0414 | 04 | - | 1 | 1 | 5.80 | 3.60 | 1.81 |
| - | - | 87911-0814 | 08 | - | 1 | 1 | 5.80 | 3.60 | 1.81 |
| - | 87911-1016 | - | 10 | - | 5 | 3 | 2.46 | 2.46 | 1.52 |
| - | - | 87911-1017 | 10 | - | 5 | 1 | 8.80 | 3.18 | 2.59 |
| 87911-1617 | - | - | 16 | CKT 3, 4, 7, 8, 11 & 12 | 4 | 4 | 6.10 | 2.00 | 2.61 |

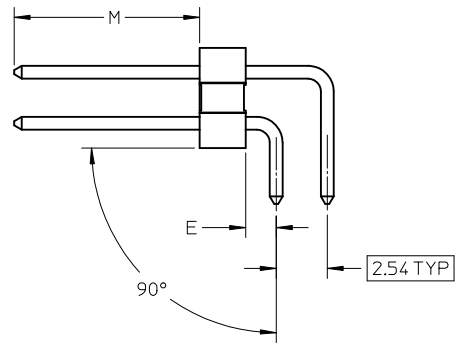
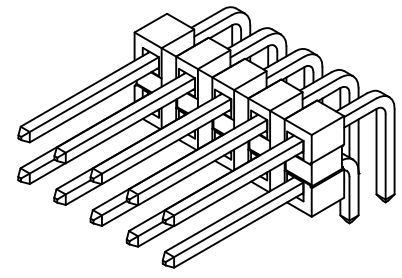
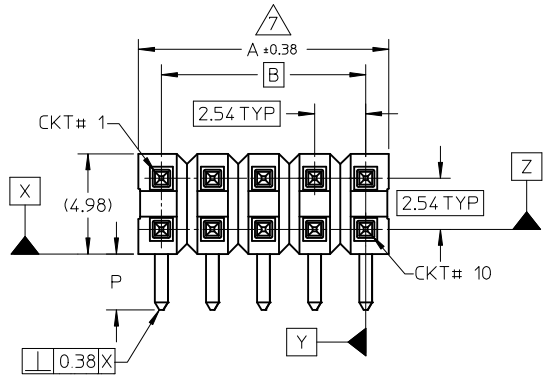
KAPTON TAPE POSITION ILLUSTRATION FOR REFERENCE



| | | | | | | | | | |
|---------------------------------------------------------------------------------------------------------------------|--------------------------------------------------|------------------------------------------------------|------------|-----------------|-------------------------------------------------------------------------------------------------------------------------------|----------------------------|------------------|------------------------|--|
| ADD P/N: 87911-1017 EC NO: S2017-0098 DRWN: MRAMAKRISHNA 2016/08/05 CHKD: APPR: MRAMAKRISHNA 2016/11/17 | QUALITY SYMBOLS $F_A=0$ $F_B=0$ $F_C=0$ | GENERAL TOLERANCES (UNLESS SPECIFIED) | | DIMENSION STYLE | | SCALE | DESIGN UNITS | THIRD ANGLE PROJECTION | |
| | | | | MM ONLY | | NTS | METRIC | | |
| | | 4 PLACES | ± --- | ± --- | DRAWN BY | DATE | TITLE | | |
| | | 3 PLACES | ± --- | ± --- | MRAMAKRISHNA | 2015/05/18 | CUSTOM HEADER | | |
| 2 PLACES | ± 0.2 | ± --- | CHECKED BY | DATE | 2.54MM PITCH C-GRID HDR, | | | | |
| 1 PLACE | ± --- | ± --- | ATSEE | 2015/05/18 | SINGLE WAFER, RIGHT ANGLE | | | | |
| ANGULAR ± 3° | | DRAFT WHERE APPLICABLE MUST REMAIN WITHIN DIMENSIONS | | APPROVED BY | DATE | MOLEX INCORPORATED | | | |
| | | | | MRAMAKRISHNA | 2015/07/23 | DOCUMENT NO. SD-87911-0001 | | | |
| | | | | MATERIAL NO. | SEE TABLE | | SHEET NO. 2 OF 2 | | |
| | | | | SIZE A3 | THIS DRAWING CONTAINS INFORMATION THAT IS PROPRIETARY TO MOLEX INCORPORATED AND SHOULD NOT BE USED WITHOUT WRITTEN PERMISSION | | | | |



RECOMMENDED PCB LAYOUT



- NOTES**
- MATERIAL:**
HSG: LCP, GLASS-FILLED, UL94V-0 COLOR: BLACK
PIN: 0.64MM SQ, COPPER ALLOY
 - PLATING TYPE:**
 - : GOLD FLASH OVER
1.25µm MIN. NICKEL OVERALL.
 - : 0.05 µm MIN. GOLD PLATE ON CONTACT AND
2.50 µm MIN. TIN ON SOLDER TAIL OVER
1.25 µm MIN. NICKEL OVERALL.
 - : 0.38 µm MIN. GOLD PLATE ON CONTACT AND
2.00 µm MIN. TIN ON SOLDER TAIL OVER
1.25 µm MIN. NICKEL OVERALL.
 - : 0.75 µm MIN. GOLD PLATE ON CONTACT AND
2.00 µm MIN. TIN ON SOLDER TAIL OVER
1.25 µm MIN. NICKEL OVERALL.
 - : 2.50 µm MIN. TIN IN SELECTED AREA OVER
1.25 µm MIN. NICKEL OVERALL.
 - PRODUCT SPECIFICATION: PS-87920-019
 - PACKAGING TYPE: SEE TABLE
 - PACKAGING SPECIFICATION:
 - TUBE: PK-89990-519
 - TUBE: PK-89990-520
 - TRAY: PK-89990-489
 - WAFER TO BE FLAT WITHIN 0.003 mm/mm
 - IRREGULAR CIRCUIT CUTOFF WITHIN BREAKAWAY SECTION IS PERMISSIBLE. CUTTING OR CHIPPING OF THE MAIN BODY IS NOT ACCEPTABLE
 - RECOMMENDED PCB THICKNESS IS 1.60mm ± 0.10
 - THE ABOVE CKT 10 IS FOR ILLUSTRATION PURPOSE ONLY
 - TUBE LENGTH AS PER STANDARD 560mm

| | | | | | | | | | |
|-------------------------------------------------------------------------------------------------------------------------|--------------------------------------------------------------------------------|---------------------------------------|-------|------------------------------------------------------|--------------------|-------------------------------------------------------------------------------------------------------------------------------|------------------------------|------------------------|--|
| OBS P/N: 87911-1000/1014 EC NO: S2012-0790 DRW:SKANG 2012/04/20 CHKD:ATSEE 2012/05/03 APPR:MLONG 2012/05/15 | QUALITY SYMBOLS F _A =0 F _C =0 F _P =0 | GENERAL TOLERANCES (UNLESS SPECIFIED) | | DIMENSION STYLE MM ONLY | | SCALE NTS | DESIGN UNITS METRIC | THIRD ANGLE PROJECTION | |
| | | mm | INCH | DRAWN BY SKLIM01 | DATE 2006/10/30 | TITLE CUSTOM HEADER 2.54MM PITCH C-GRID HDR, SINGLE WAFER, RIGHT ANGLE | | | |
| | | 4 PLACES ± --- | ± --- | CHECKED BY CWLAM | DATE 2006/11/20 | MOLEX MOLEX INCORPORATED | | | |
| | | 3 PLACES ± --- | ± --- | APPROVED BY KWLEE | DATE 2006/11/20 | MATERIAL NO. SEE TABLE | DOCUMENT NO. SD-87911-046 | SHEET NO. 1 OF 2 | |
| | | ANGULAR ± 3 ° | | DRAFT WHERE APPLICABLE MUST REMAIN WITHIN DIMENSIONS | | THIS DRAWING CONTAINS INFORMATION THAT IS PROPRIETARY TO MOLEX INCORPORATED AND SHOULD NOT BE USED WITHOUT WRITTEN PERMISSION | | | |

| CKT SIZE | DIMENSION | | PART NO. | | | | DIMENSION | | | | | |
|----------|-----------|-------|------------|------------|----------|---------------|---------------|--------------|-------------------------|------------|-------------|------|
| | A | B | TRAY | TUBE | CKT SIZE | VOID POSITION | KINK POSITION | PLATING TYPE | PACKAGING SPECIFICATION | MATING END | SOLDER TAIL | E |
| | M | P | | | | | | | | | | |
| 02 | 2.54 | - | | | | | | | | | | |
| 04 | 5.08 | 2.54 | 87911-0614 | - | 6 | - | - | 2 | 3 | 9.60 | 5.00 | 2.61 |
| 06 | 7.62 | 5.08 | 87911-0615 | - | 6 | - | - | 2 | 3 | 10.83 | 5.00 | 1.72 |
| 08 | 10.16 | 7.62 | - | 87911-1015 | 10 | - | - | 5 | 1 | 7.50 | 4.00 | 1.96 |
| 10 | 12.70 | 10.16 | - | 87911-1600 | 16 | - | - | 5 | 1 | 4.00 | 4.50 | 1.52 |
| 12 | 15.24 | 12.70 | - | 87911-1614 | 16 | - | - | 5 | 1 | 3.35 | 2.34 | 1.52 |
| 14 | 17.78 | 15.24 | - | 87911-1615 | 16 | - | - | 4 | 1 | 3.35 | 2.34 | 1.52 |
| 16 | 20.32 | 17.78 | - | 87911-2414 | 24 | - | - | 5 | 1 | 3.35 | 2.34 | 1.52 |
| 18 | 22.86 | 20.32 | - | 87911-2415 | 24 | - | - | 4 | 1 | 3.35 | 2.34 | 1.52 |
| 20 | 25.40 | 22.86 | 87911-3614 | - | 36 | - | - | 5 | 3 | 2.60 | 5.13 | 1.77 |
| 22 | 27.94 | 25.40 | | | | | | | | | | |
| 24 | 30.48 | 27.94 | | | | | | | | | | |
| 26 | 33.02 | 30.48 | | | | | | | | | | |
| 28 | 35.56 | 33.02 | | | | | | | | | | |
| 30 | 38.10 | 35.56 | | | | | | | | | | |
| 32 | 40.64 | 38.10 | | | | | | | | | | |
| 34 | 43.18 | 40.64 | | | | | | | | | | |
| 36 | 45.72 | 43.18 | | | | | | | | | | |
| 38 | 48.26 | 45.72 | | | | | | | | | | |
| 40 | 50.80 | 48.26 | | | | | | | | | | |
| 42 | 53.34 | 50.80 | | | | | | | | | | |
| 44 | 55.88 | 53.34 | | | | | | | | | | |
| 46 | 58.42 | 55.88 | | | | | | | | | | |
| 48 | 60.96 | 58.42 | | | | | | | | | | |
| 50 | 63.50 | 60.96 | | | | | | | | | | |

| | | | | | | | | | | |
|----------------------------------------------------------------------------------------------------------------------------------|-----------------------------------------------------------------------|---------------------------------------|---------------|-----------------------------------|----------------------|----------------------------------------------------------------------------------------------------------------------------------|--------------------------------------------------------------------------------|------------------------|--|--|
| OBS P/N: 87911-1000/1014 EC NO: S2012-0790 DRWN:SKANG 2012/04/20 CH'KD:ATSEE 2012/05/03 APPR:MLONG 2012/05/15 | QUALITY SYMBOLS $\nabla_A = 0$ $\nabla_B = 0$ $\nabla_C = 0$ | GENERAL TOLERANCES (UNLESS SPECIFIED) | | DIMENSION STYLE MM ONLY | | SCALE NTS | DESIGN UNITS METRIC | THIRD ANGLE PROJECTION | | |
| | | | mm | INCH | DRAWN BY SKL IM01 | DATE 2006/10/30 | TITLE CUSTOM HEADER 2.54MM PITCH C-GRID HDR, SINGLE WAFER,RIGHT ANGLE | | | |
| | | 4 PLACES | ± --- | ± --- | CHECKED BY CWLAM | DATE 2006/11/20 | MOLEX INCORPORATED | | | |
| | | 3 PLACES | ± --- | ± --- | APPROVED BY KWLEE | DATE 2006/11/20 | DOCUMENT NO. SD-87911-046 | SHEET NO. 2 OF 2 | | |
| | | | 2 PLACES | ± 0.2 | ± --- | DRAFT WHERE APPLICABLE MUST REMAIN WITHIN DIMENSIONS | | | | |
| | | | 1 PLACE | ± --- | ± --- | THIS DRAWING CONTAINS INFORMATION THAT IS PROPRIETARY TO MOLEX INCORPORATED AND SHOULD NOT BE USED WITHOUT WRITTEN PERMISSION | | | | |
| | | | ANGULAR ± 3 ° | | SEE TABLE | | | | | |