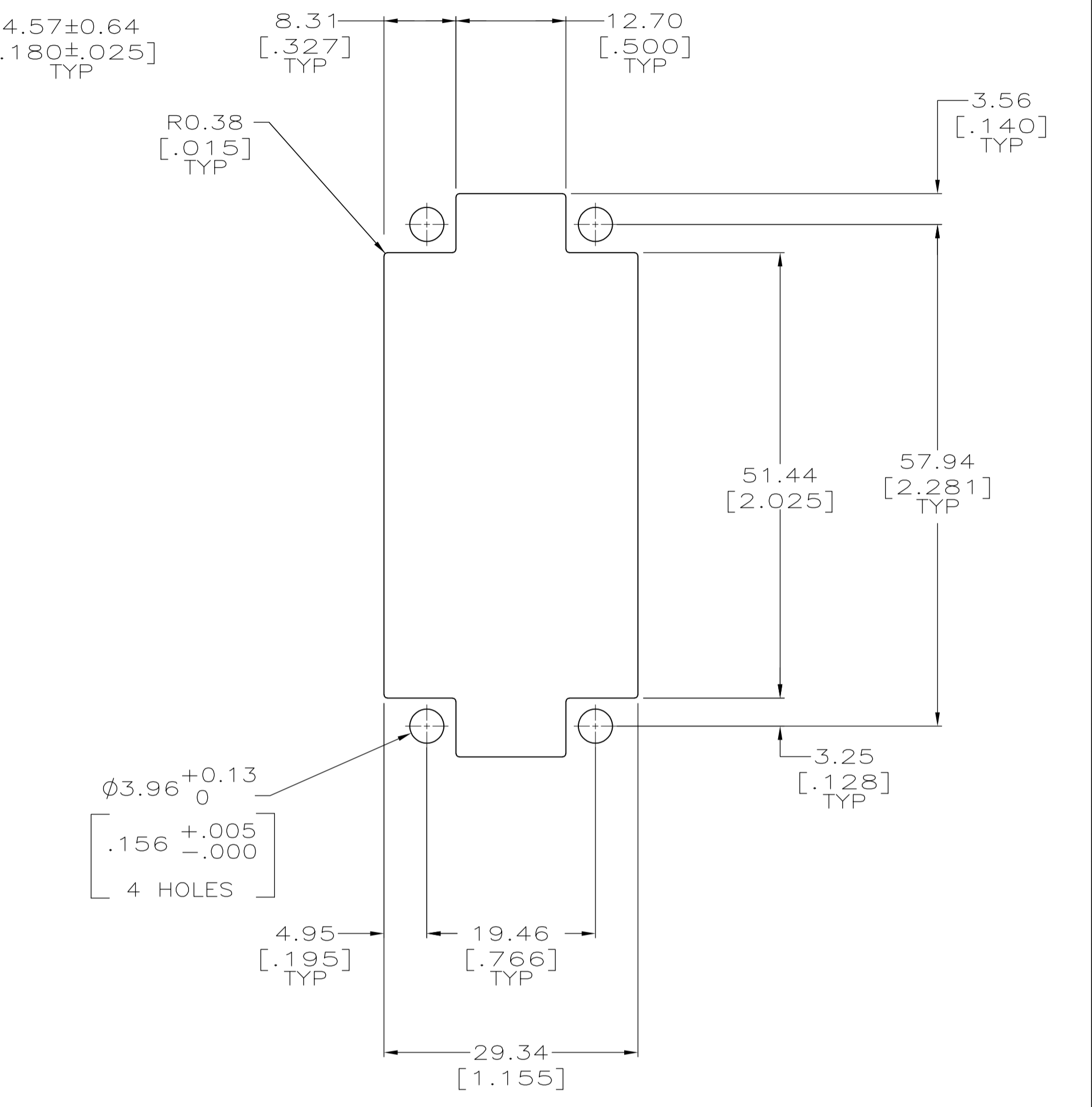
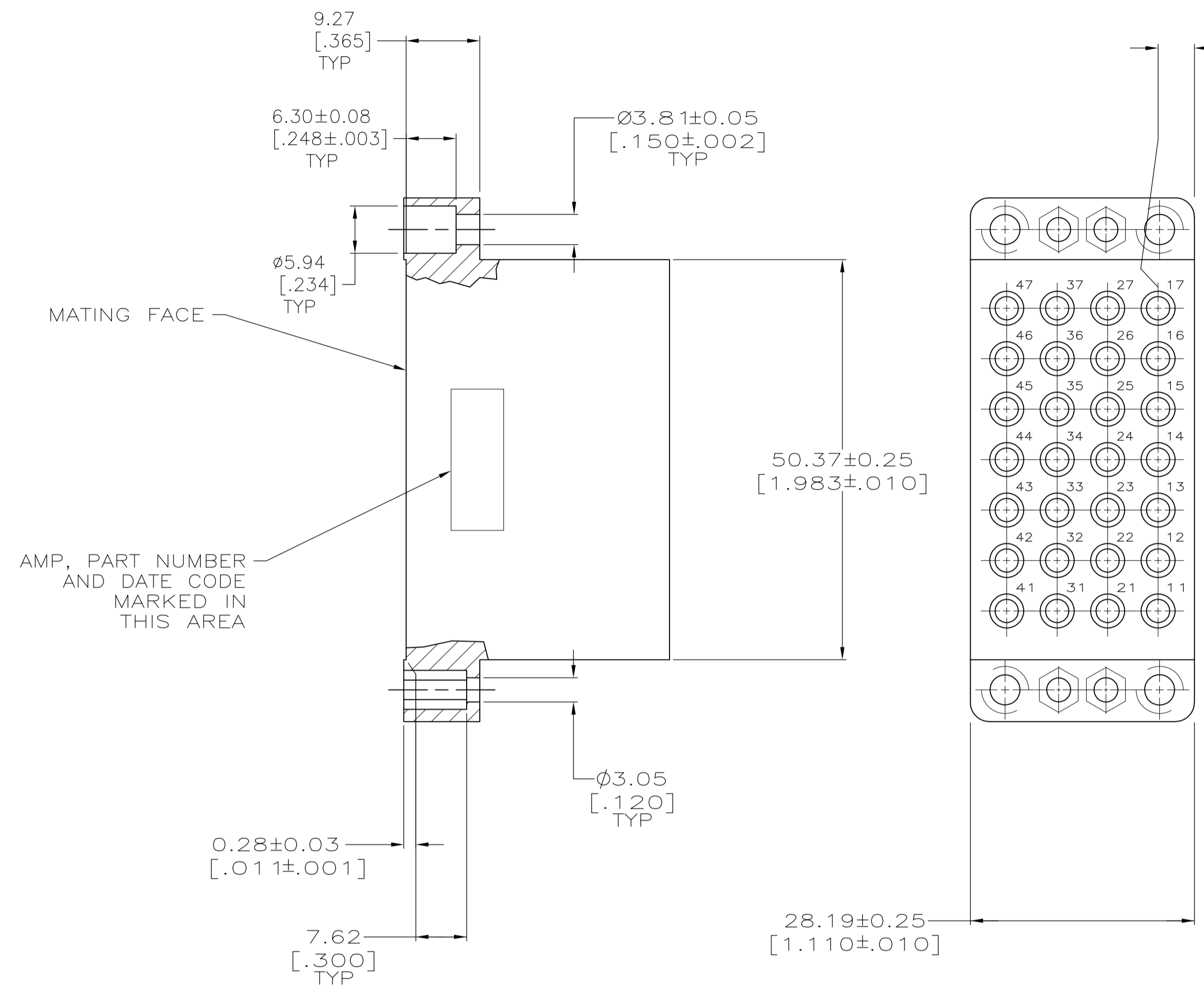
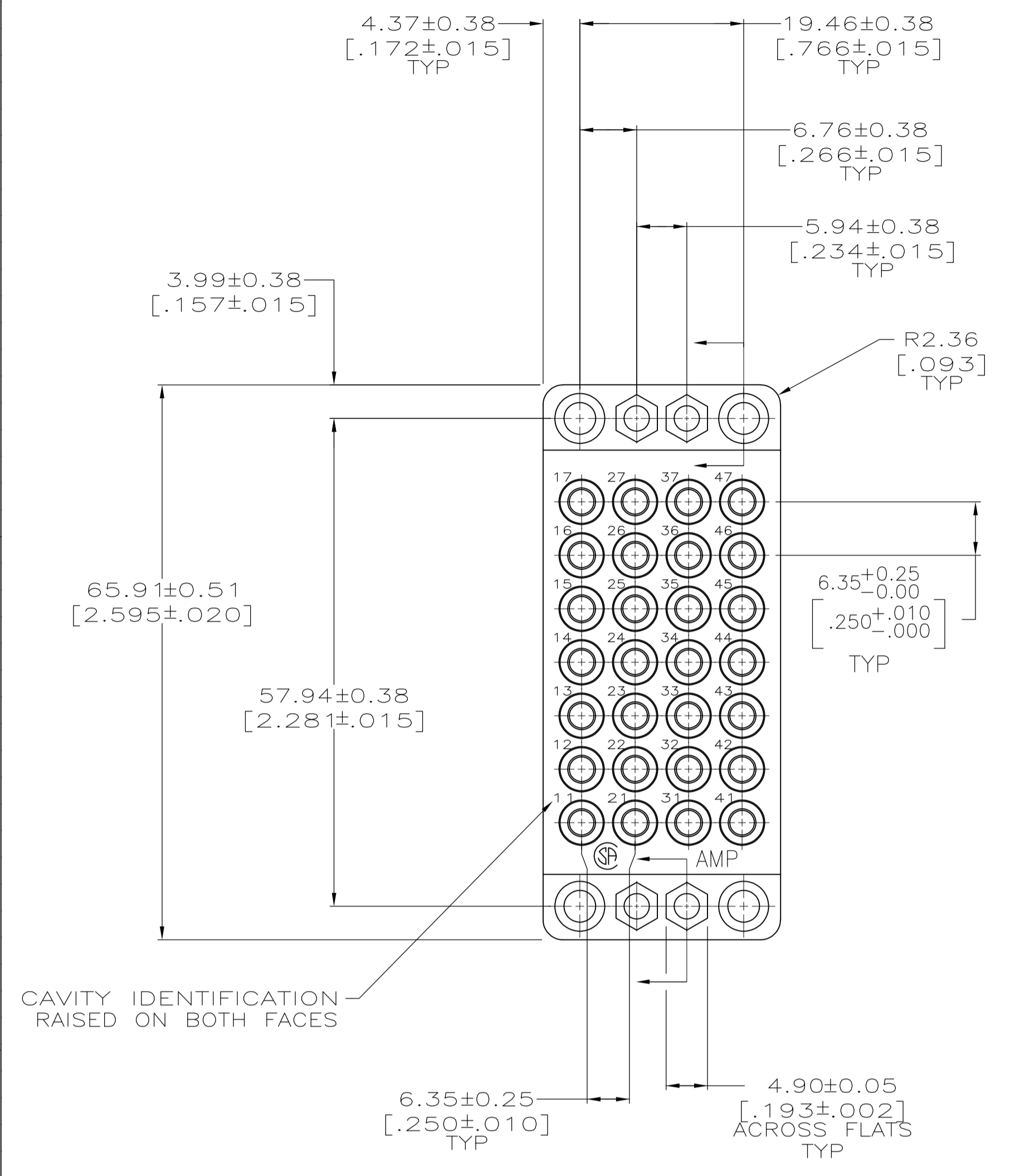


LOC		DIST		REVISIONS			
F	LTR	DESCRIPTION	DATE	DWN	APVD		
F		REVISED PER ECO-07-029096	12/13/07	SS	GS		



RECOMMENDED
PANEL CUTOUT

△ PHENOLIC, BLACK PER MIL-M-14, TYPE CFG.

205689-2
PART NUMBER

THIS DRAWING IS A CONTROLLED DOCUMENT.		DIN C. OBERMAN 23 MAY 97		Tyco Electronics Corporation Harrisburg, PA 17105-3608	
DIMENSIONS: mm [INCHES]		TOLERANCES UNLESS OTHERWISE SPECIFIED:		APVD R. STONE 29 MAY 97	
0 PLC ± -		1 PLC ± -		NAME G. STEINHÄUER 02 SEP 97	
2 PLC ± 0.13 [.005]		3 PLC ± -		PRODUCT SPEC	
4 PLC ± -		ANGLES ± -		APPLICATION SPEC	
MATERIAL 1		FINISH -		SIZE CAGE CODE DRAWING NO. RESTRICTED TO	
		WEIGHT -		A1 00779 C=205689	
		CUSTOMER DRAWING		SCALE 2:1 SHEET 1 OF 1 REV F	