

PRODUCT NUMBER  
10075025-XXX-XXXLF

PLATING

S = 0.38µm GOLD/GXT ON CONTACT AREA  
2µm MIN MATTE TIN ON TAIL

G = 0.76µm GOLD/GXT ON CONTACT AREA  
2µm MIN MATTE TIN ON TAIL

F = GOLD FLASH ON CONTACT AREA  
2µm MIN MATTE TIN ON TAIL

1.27µm MIN NICKEL UNDERPLATING

| PIN STYLE | TAIL LENGTH | MISSING PIN POSITION |
|-----------|-------------|----------------------|
| 01        | 2.00        |                      |
| 02        | 2.50        |                      |
| 03        | 2.00        | A01                  |

LEAD FREE  
RoHS COMPATIBLE  
NOTE 7

PACKAGING  
NOTE 5

TOTAL NUMBER OF  
POSITIONS 04 TO 50

NOTES:

- MATERIAL HOUSING: HIGH TEMP. THERMOPLASTIC UL 94V-0, COLOR NATURAL
- MATERIAL TERMINAL: COPPER ALLOY
- TO DETERMINE DIMENSIONS:  
N = NUMBER OF POSITIONS PER ROW
- 7N MIN. PIN RETENTION IN EITHER DIRECTION.
- PACKAGING:  
= STANDARD PACKAGING IN POLYBAG  
U = TUBE AVAILABLE FROM 03 TO 25 POS PER ROW  
A = TAPE & REEL WITH PICK UP CAP, AS AVAILABLE.

- POLARIZATION :  
- SEE TABLE FOR AVAILABILITY  
- FOR NEW REQUEST, PLEASE TO CONTACT FCI

7. RoHS COMPATIBLE PRODUCT SPECIFICATIONS

a - PLATING:

- "LF" MEANS THE PRODUCT IS LEAD-FREE, 2µm MINIMUM MATTE TIN OVER 1.27µm MINIMUM NICKEL UNDERPLATE.

b - MANUFACTURING PROCESS COMPATIBILITY

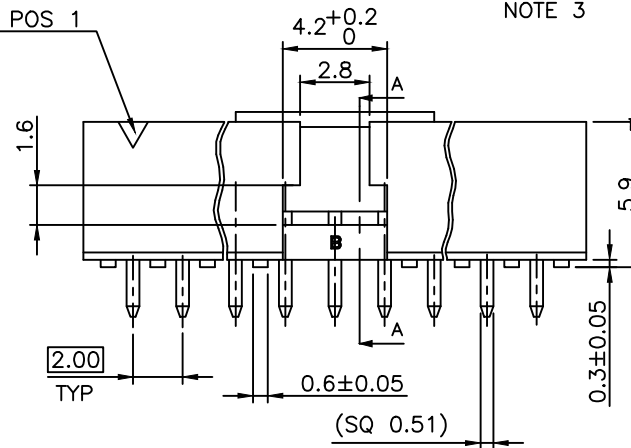
- THE HOUSING WILL WITHSTAND EXPOSURE TO 260°C PEAK TEMPERATURE FOR 30 SECONDS MAX IN A CONVECTION, INFRA-RED, OR VAPOR PHASE OR REFLOW OVEN

c - LABELLING:

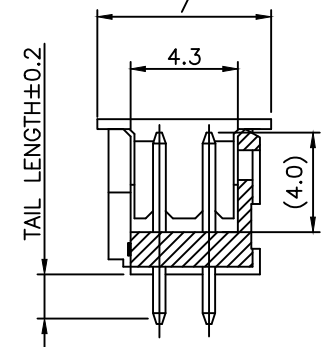
- MEETS PACKAGING SPECS AS PER GS-14-920

d - LEGAL STATEMENT : SEE GS-47-0004

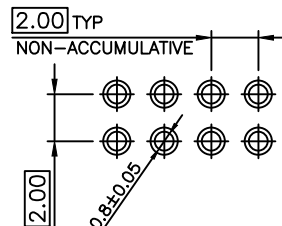
INDICATES POS 1



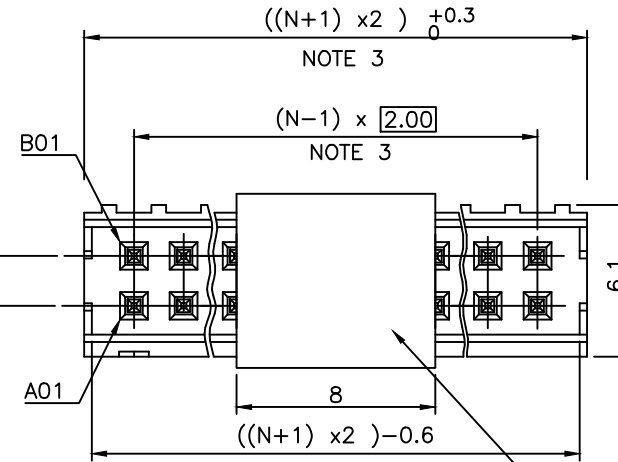
OPTIONAL PICK UP CAP



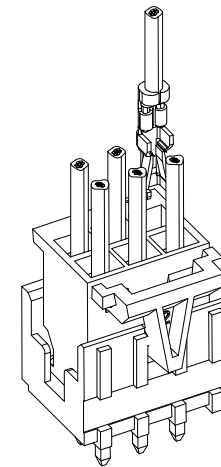
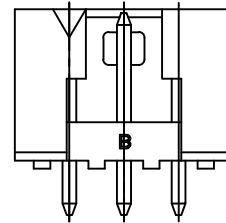
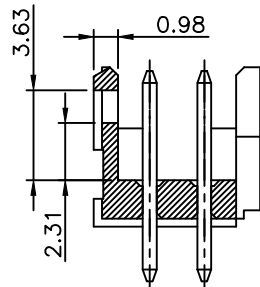
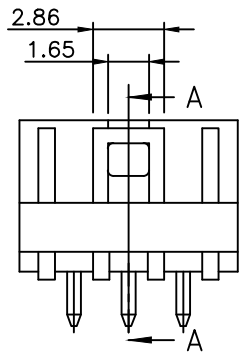
SECTION A-A



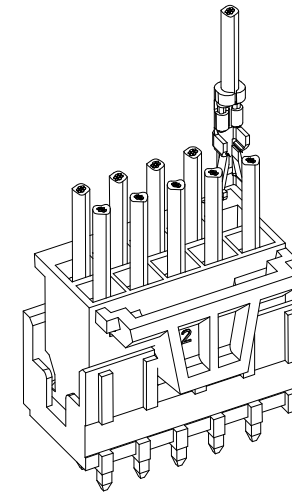
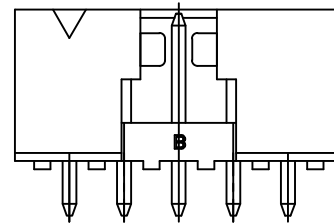
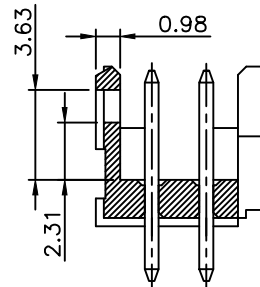
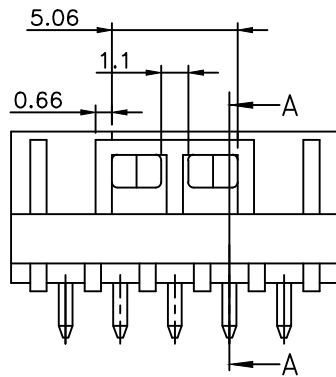
RECOMMENDED 1.6mm THICK PCB LAYOUT  
STENCIL DESIGN RECOMMENDATIONS  
AS PER TA-896



|             |  |          |  |                  |  |                                       |  |                      |  |
|-------------|--|----------|--|------------------|--|---------------------------------------|--|----------------------|--|
| mat'l. code |  | surface  |  | tolerance        |  | projection                            |  | product family       |  |
|             |  | ISO 1302 |  | ISO 406 ISO 1101 |  | mm                                    |  | MINITEK              |  |
| ltr         |  | ecn no   |  | date             |  | tolerances unless otherwise specified |  | title                |  |
| R           |  | F-23051  |  | AMA              |  | 16.01.15                              |  | UNSHR.HEADER         |  |
| S           |  | F-24837  |  | AMA              |  | 16.08.29                              |  | 2.00 mm VERTICAL PIP |  |
| T           |  | F-24838  |  | LMU              |  | 16.08.29                              |  | dwg no               |  |
|             |  |          |  |                  |  |                                       |  | sheet 1 of 2         |  |
|             |  |          |  |                  |  |                                       |  | size                 |  |
|             |  |          |  |                  |  |                                       |  | 10075025             |  |
|             |  |          |  |                  |  |                                       |  | A3                   |  |
|             |  |          |  |                  |  |                                       |  | type                 |  |
|             |  |          |  |                  |  |                                       |  | CUSTOMER             |  |
|             |  |          |  |                  |  |                                       |  | Drawing              |  |
| sheet       |  | revision |  | T                |  | B                                     |  |                      |  |
| index       |  | sheet    |  | 1                |  | 2                                     |  |                      |  |



2x3 POS AND 2x4 POS CONFIGURATION  
NO LATCHING AVAILABLE FOR 2x2 POS



2x5 POS UP TO 2x25 POS CONFIGURATION

LATCHING FEATURES WHEN USED IN COMBINATION  
WITH ACTIVE LATCH HOUSING 10073599

|                         |  |                                       |  |                               |  |                  |  |                           |  |
|-------------------------|--|---------------------------------------|--|-------------------------------|--|------------------|--|---------------------------|--|
| mat'l. code             |  | surface<br>ISO 1302 ✓                 |  | tolerance<br>ISO 406 ISO 1101 |  | projection<br>mm |  | product family<br>MINITEK |  |
| ltr ecn no dr date      |  | tolerances unless otherwise specified |  | .x ±0.3                       |  | mm               |  | title<br>UNSHR.HEADER     |  |
| A F06-0113 LMU 08.01.07 |  | angles                                |  | .xx ±0.15                     |  | scale 5:1        |  | 2.00 mm VERTICAL PIP      |  |
| B B-17556 JCO 14.04.23  |  | linear                                |  | .xxx ±0.05                    |  | FCJ              |  | dwg no sheet 2 of 2 size  |  |
|                         |  | dr L MULIN 07.12.04                   |  |                               |  |                  |  | 10075025 A3               |  |
|                         |  | enr J.COMPAGNON 07.12.04              |  |                               |  |                  |  | type CUSTOMER Drawing     |  |
|                         |  | chr                                   |  |                               |  |                  |  |                           |  |
|                         |  | appd JM.C 07.12.04                    |  |                               |  |                  |  |                           |  |
| sheet index             |  | revision sheet                        |  |                               |  |                  |  |                           |  |



Copyright FCI