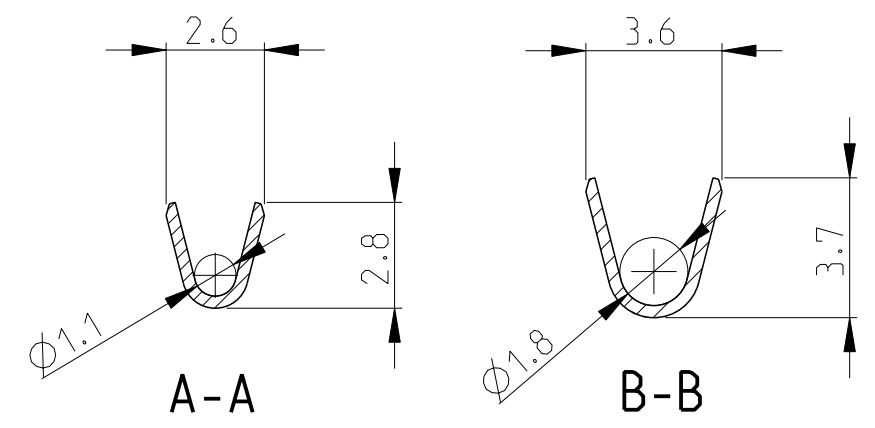
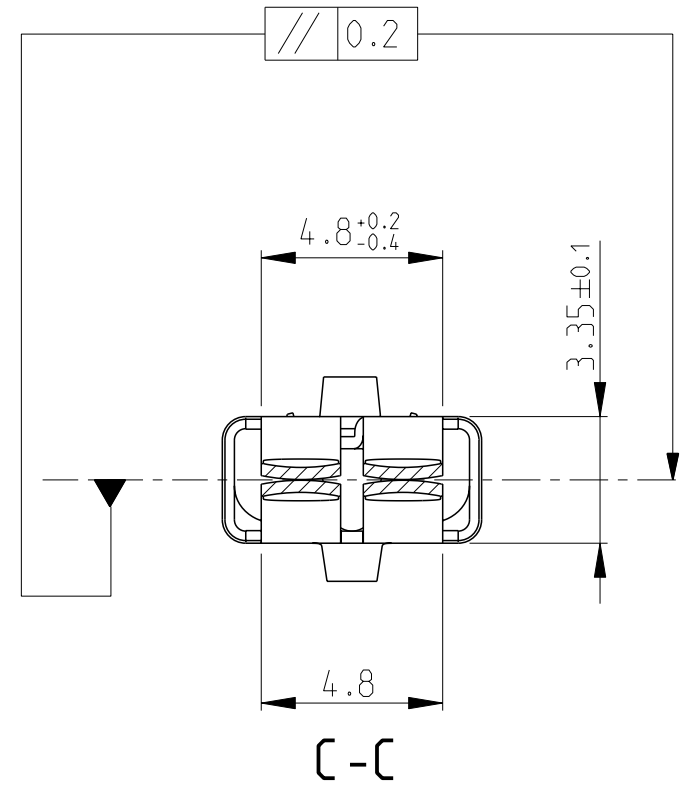
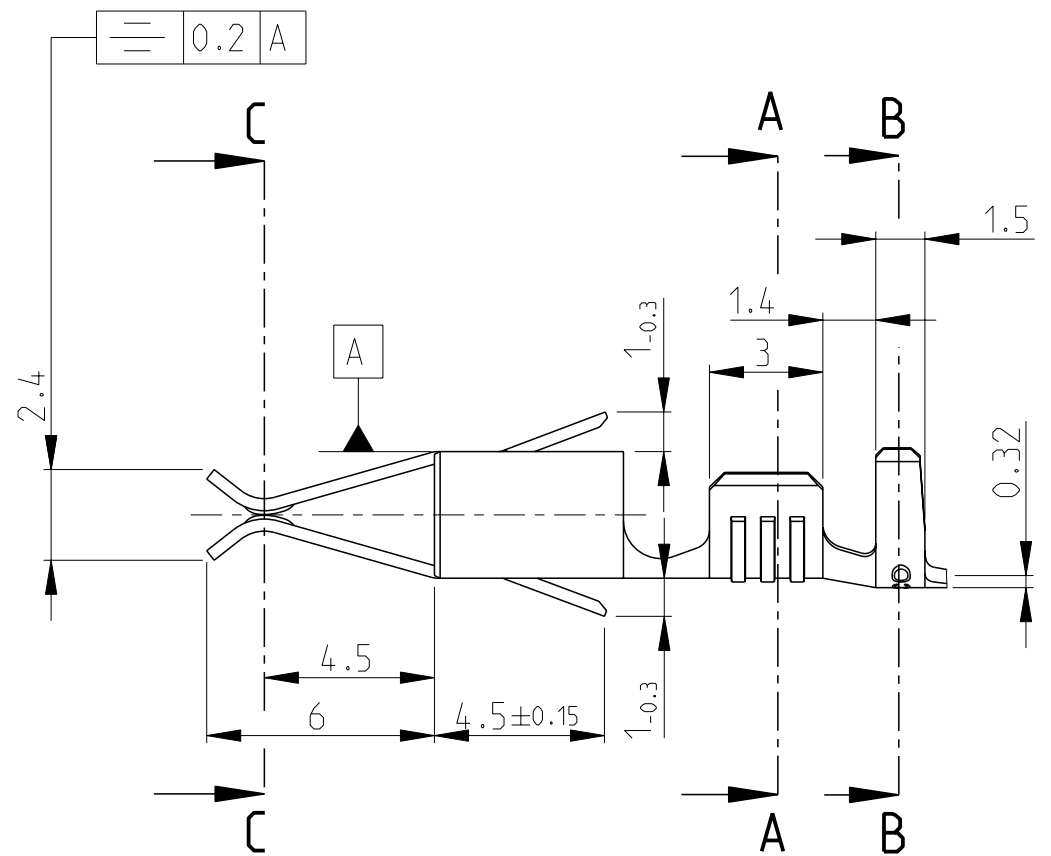


THIS DRAWING IS UNPUBLISHED. RELEASED FOR PUBLICATION 2011
 © COPYRIGHT 2011 ALL RIGHTS RESERVED.

LOC	DIST	REVISIONS				
P	LTR	DESCRIPTION	DATE	DWN	APVD	
AL	2	B1	REVISED PER ECO-11-005139	11APR2011	RK	HMR
		C	SEE ECR 11-010607	17MAY2011	JS	LB

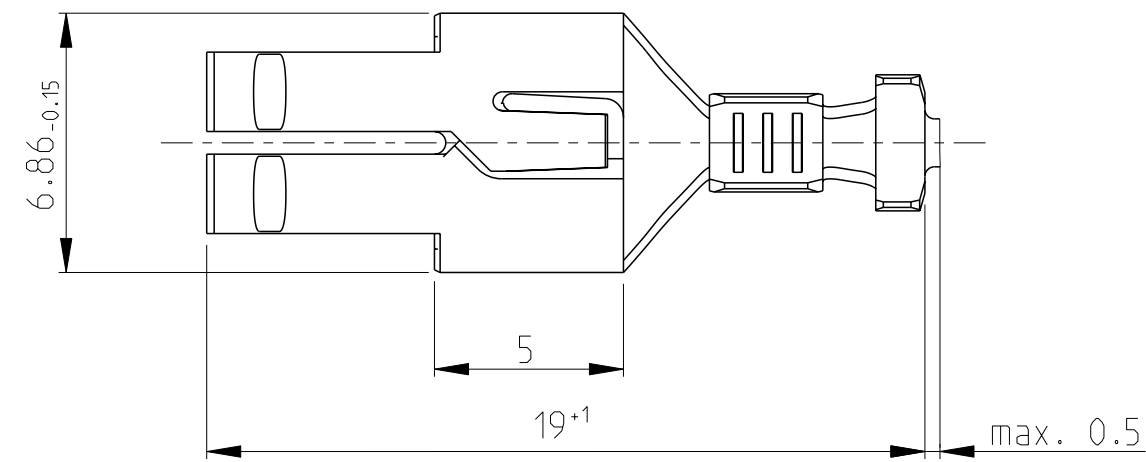


WIRE CROSS SECTION (mm²)

	SINGLE WIRE	0.35	0.50	0.75	1.00
0.35		X	X		
0.50	X	X	X		
0.75	X				
1.00	X				

WIRE CRIMP SELECTION TABLE

WIRE: "F" CRIMP
 INSULATION: OVERLAPPING CRIMP



LOOSE PIECE	FINISH	MATERIAL	PART NO.	REV.
-	PRE-TIN	CuNiSi	964201-4	C
-	PRE-TIN	CuFe	964201-3	C
-	PRE-TIN	CuSn	964201-2	C
-	PRE-TIN	CuZn30	964201-1	C

WIRE RANGE: 0.5 - 1.0 mm²
 INSULATION RANGE: Ø1.4 - 2.3 mm

THIS DRAWING IS A CONTROLLED DOCUMENT.		DWN J. Salo 20-AUG-10	TE Connectivity	
DIMENSIONS: mm		CHK R. Sole 25AUG2010		
TOLERANCES UNLESS OTHERWISE SPECIFIED:		APVD L. Batllo 25AUG2010		
		PRODUCT SPEC		
MATERIAL -		FINISH -	NAME STANDARD TIMER CONTACT WITH TWO LOCKING LANCES	
		APPLICATION SPEC -	SIZE A3	CAGE CODE -
		WEIGHT -	DRAWING NO C-964201	
		CUSTOMER DRAWING	RESTRICTED TO -	
		SCALE 5:1	SHEET 1 OF 1	REV C