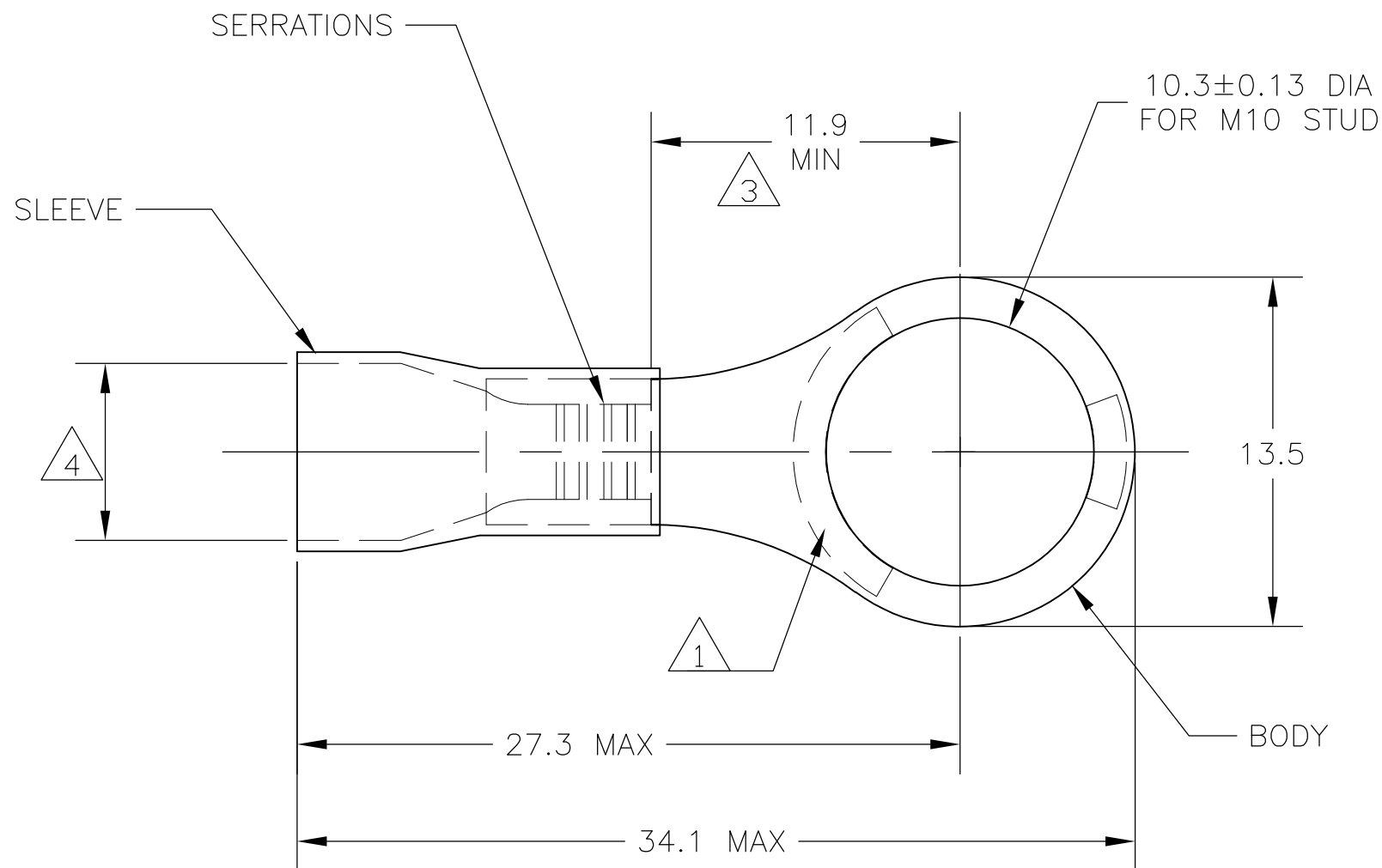


THIS DRAWING IS UNPUBLISHED. RELEASED FOR PUBLICATION
 © COPYRIGHT - BY TYCO ELECTRONICS CORPORATION. ALL RIGHTS RESERVED.

LOC: G DIST: 14

REVISIONS		DESCRIPTION	DATE	DWN	APVD
P	LTR				
	A	REV PER ECR 07-017430	01AUG07	JR	TM

AMP WIRE RANGE	Listed
12-10 AWG SOLID OR STRANDED	12-10 AWG SOLID OR STRANDED



- 1 STAMP "AMP 12-10*", LOCATION APPROX AS SHOWN.
- 2 TONGUE THICKNESS IS 1.0±0.05
- 3 APPLIES TO EDGE OF METAL WIRE BARREL TO CENTER OF STUD HOLE.
- 4 WIRE INSULATION DIA RANGE 3.81-6.35
- 5 BODY - COPPER PER ASTM B-152 SLEEVE - PVC
- 6 BODY - TIN PL PER ASTM B-545 SLEEVE - COLOR - YELLOW
- 7 105°C MAX OPERATING TEMPERATURE.
- 8 600 VOLT MAX
- 9 2.62-6.64mm² [5,180 - 13,100 CMA] SOLID OR STRANDED

500	LOOSE PIECE	130677
QTY	PACKAGE TYPE	PART NO

THIS DRAWING IS A CONTROLLED DOCUMENT.		DWN: jr_ruth 01AUG07	Tyco Electronics Corporation Harrisburg, PA 17105-3608		
DIMENSIONS: mm INCHES		CHK: T MICHELUTTI 01AUG07			
TOLERANCES UNLESS OTHERWISE SPECIFIED:		APVD: T MICHELUTTI 01AUG07	NAME: TERMINAL RING TONGUE, PLASTI-GRIP, WIRE SIZE 12-10		
0 PLC ± - 1 PLC ± 0.1 2 PLC ± - 3 PLC ± - 4 PLC ± - ANGLES ± 5°		PRODUCT SPEC: -	RESTRICTED TO: -		
MATERIAL: -5		APPLICATION SPEC: -	SIZE: A3	CAGE CODE: 00779	DRAWING NO: C-130677
FINISH: -6		WEIGHT: -	CUSTOMER DRAWING		
		SCALE: 4:1	SHEET: 1 OF 1	REV: A	