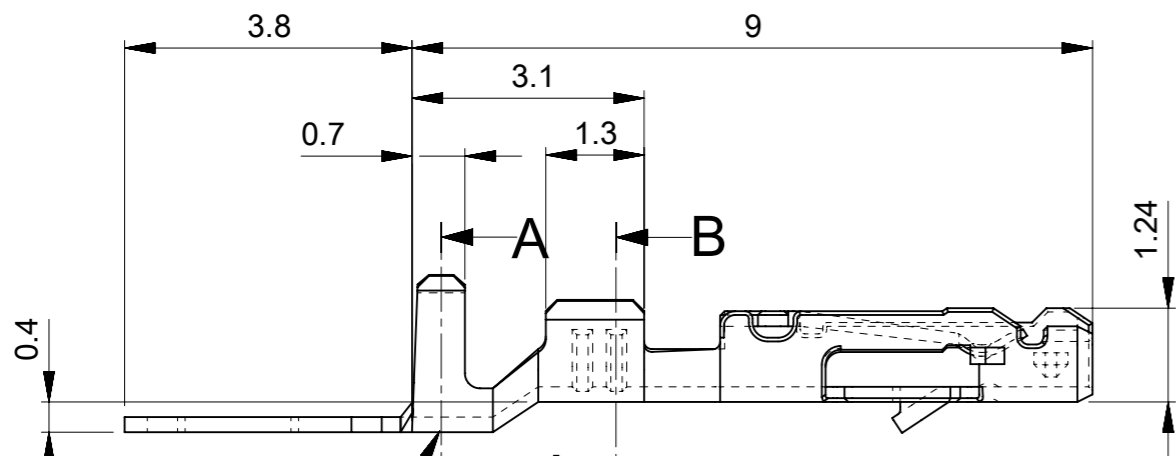
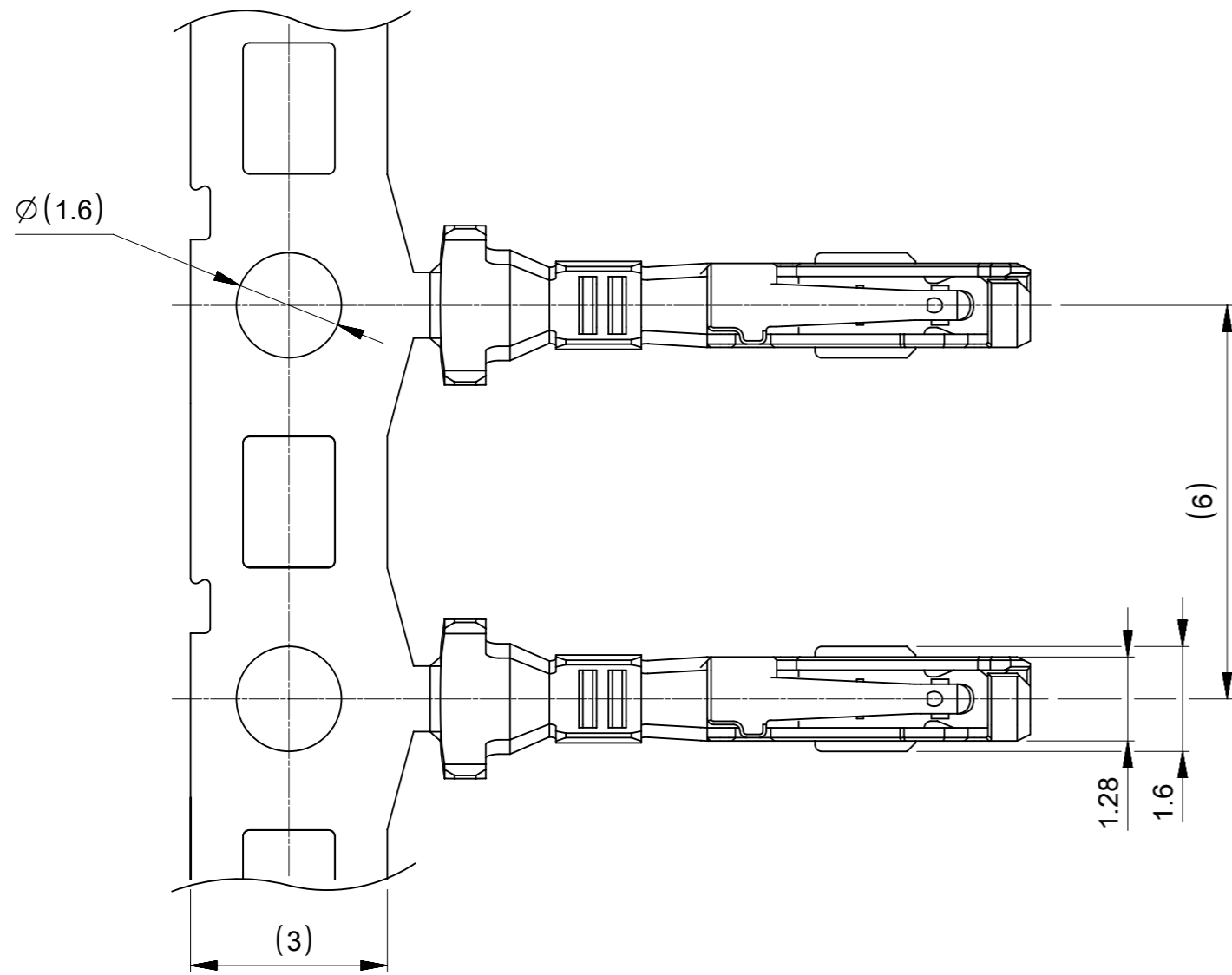


∅(1.6)

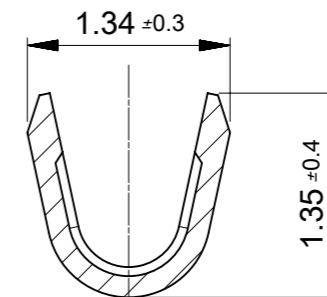
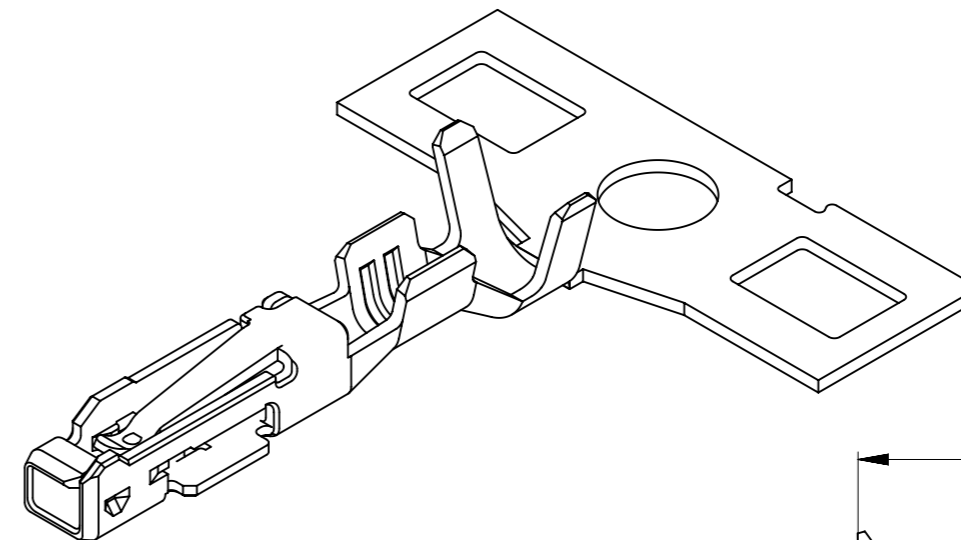


トレードマーク
TRADE MARK

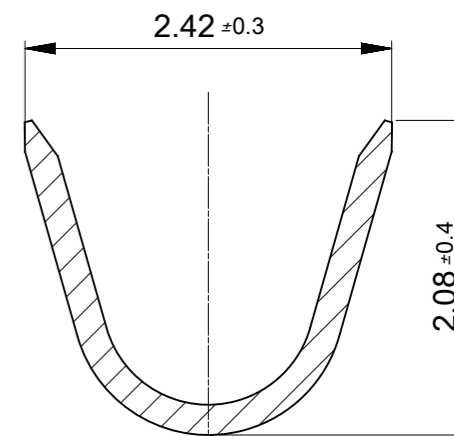
A B

注記
NOTES

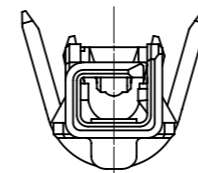
1. 適合ハウジング : 501646 シリーズ
APPLICABLE HOUSING : 501646 SEIRIES
2. 嵌合相手 : 503091 シリーズ
MATE WITH : 503091 SERIES
3. 製品仕様及び取り扱いについては、製品仕様書"5016460000-PS 000"及び取扱説明書"5016460000 A00"を参照願います。
PLEASE REFER TO PROUCT SPECIFICATION "5016460000-PS 000" AND APPLICATION SPECIFICATION "5016460000 A01"
4. 圧着仕様については、圧着仕様書"5016470000-CS 000"を参照願います。
PLEASE REFER TO CRIMP SPECIFICATION "5016470000-CS 000"
5. 圧着視覚教材(品質要領書) : ATS-57427-0000
CRIMPING VISUAL AID : ATS-57427-0000



SECTION B-B
SCALE 20:1



SECTION A-A
SCALE 20:1



| | |
|--------------------|---|
| 材料 MATERIAL | 銅合金 (t=0.2) COPPER ALLOY (t=0.2) |
| めっき FINISH | 接点部:部分金めっき: 0.2µm MIN. 圧着部:部分錫めっき: 0.9µm MIN. 下地ニッケルめっき: 0.1µm MIN. CONTACT AREA: SELECTIVE GOLD PLATING: 0.2µm MIN. CRIMPING AREA: TIN PLATING: 0.9µm MIN. UNDER NICKEL PLATING: 0.1µm MIN. |
| 電線仕様 CABLE SPEC | AWG: #26-28 適用電線範囲: 0.079-0.136mm ² WIRE RANGE 被覆外形: φ0.85-φ1.4mm INS. RANGE |

| | | | | | | |
|---|--------|------------------------------|--|--------------------------|----------|--|
| THIS DRAWING CONTAINS INFORMATION THAT IS PROPRIETARY TO MOLEX ELECTRONIC TECHNOLOGIES, LLC AND SHOULD NOT BE USED WITHOUT WRITTEN PERMISSION | | CURRENT REV DESC: | | molex | | |
| DIMENSION UNITS | SCALE | EC NO: 174865 | | | | |
| mm | 10:1 | DRWN: SNAKAMURA08 2018/04/03 | | 5030950000-SD | PSD | |
| GENERAL TOLERANCES (UNLESS SPECIFIED) | | CHK'D: KOMURAKAMI 2018/04/13 | | DOC PART | REVISION | |
| ANGULAR TOL | ± 1.0° | APPR: TKANEKO 2018/04/16 | | 000 | B | |
| 4 PLACES | ± 0.2 | INITIAL REVISION: | | PRODUCT CUSTOMER DRAWING | | |
| 3 PLACES | ± 0.2 | DRWN: SNAKAMURA08 2018/03/14 | | MATERIAL NUMBER | | |
| 2 PLACES | ± 0.2 | APPR: TKANEKO 2018/03/30 | | CUSTOMER | | |
| 1 PLACE | ± 0.2 | THIRD ANGLE PROJECTION | | SEE CHART | | |
| 0 PLACES | ± 0.2 | DRAWING | | SHEET NUMBER | | |
| DRAFT WHERE APPLICABLE MUST REMAIN WITHIN DIMENSIONS | | A3-SIZE | | 1 OF 1 | | |

| | |
|------------------|--------------|
| 5030951200 | 連鎖状 CHAIN |
| リール REEL PACKAGE | 端子形状 FORM |
| オーダー番号 ORDER No. | |