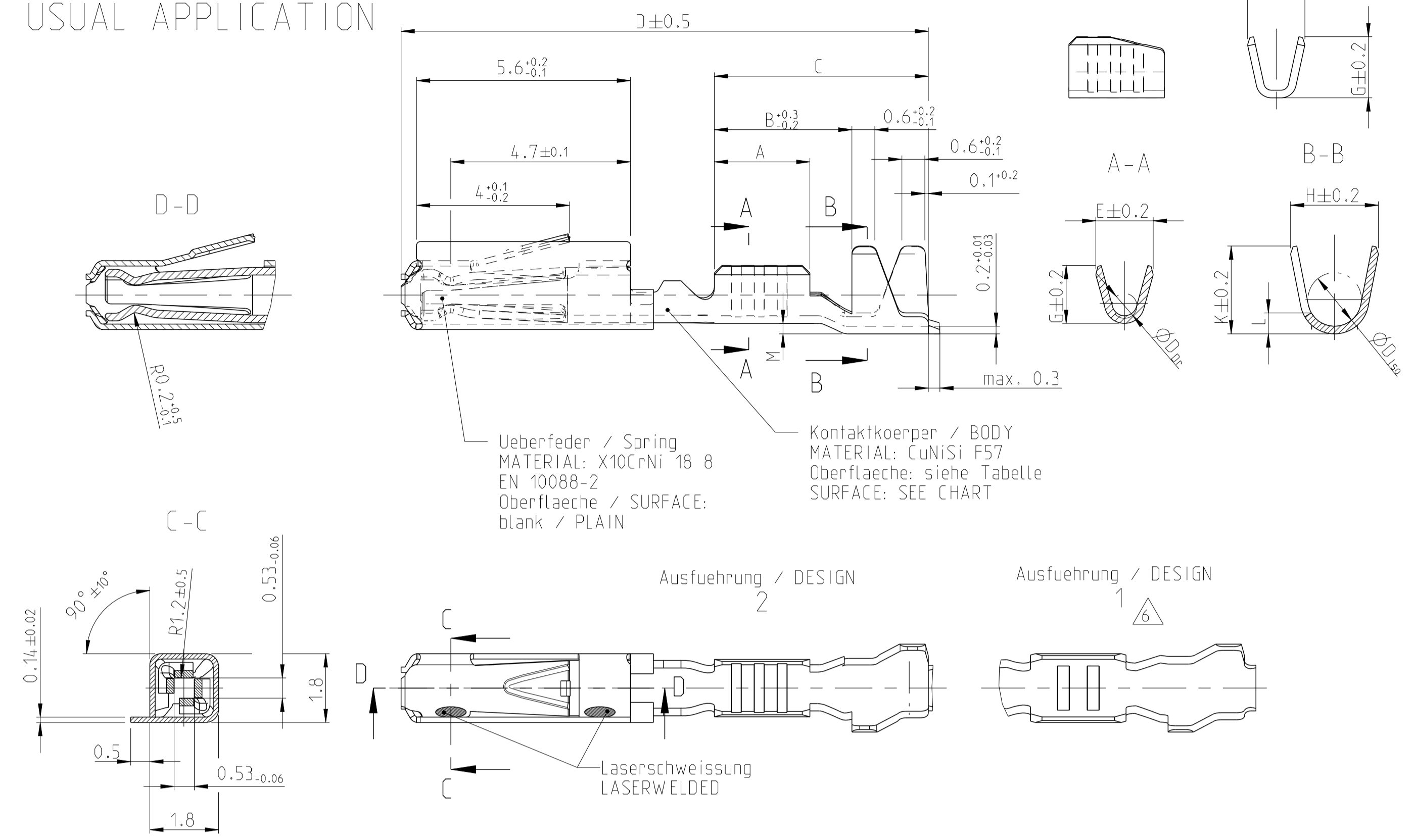
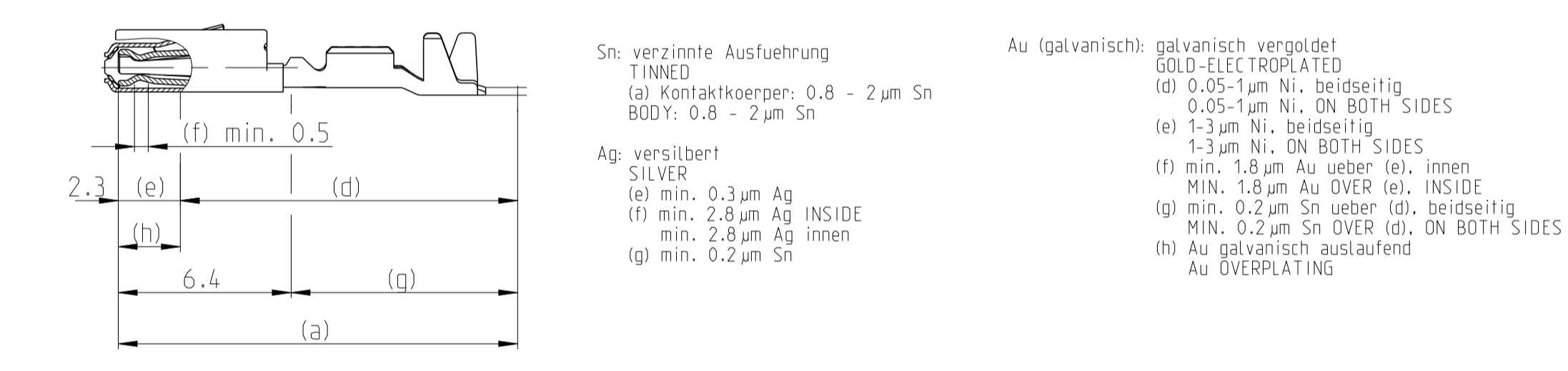


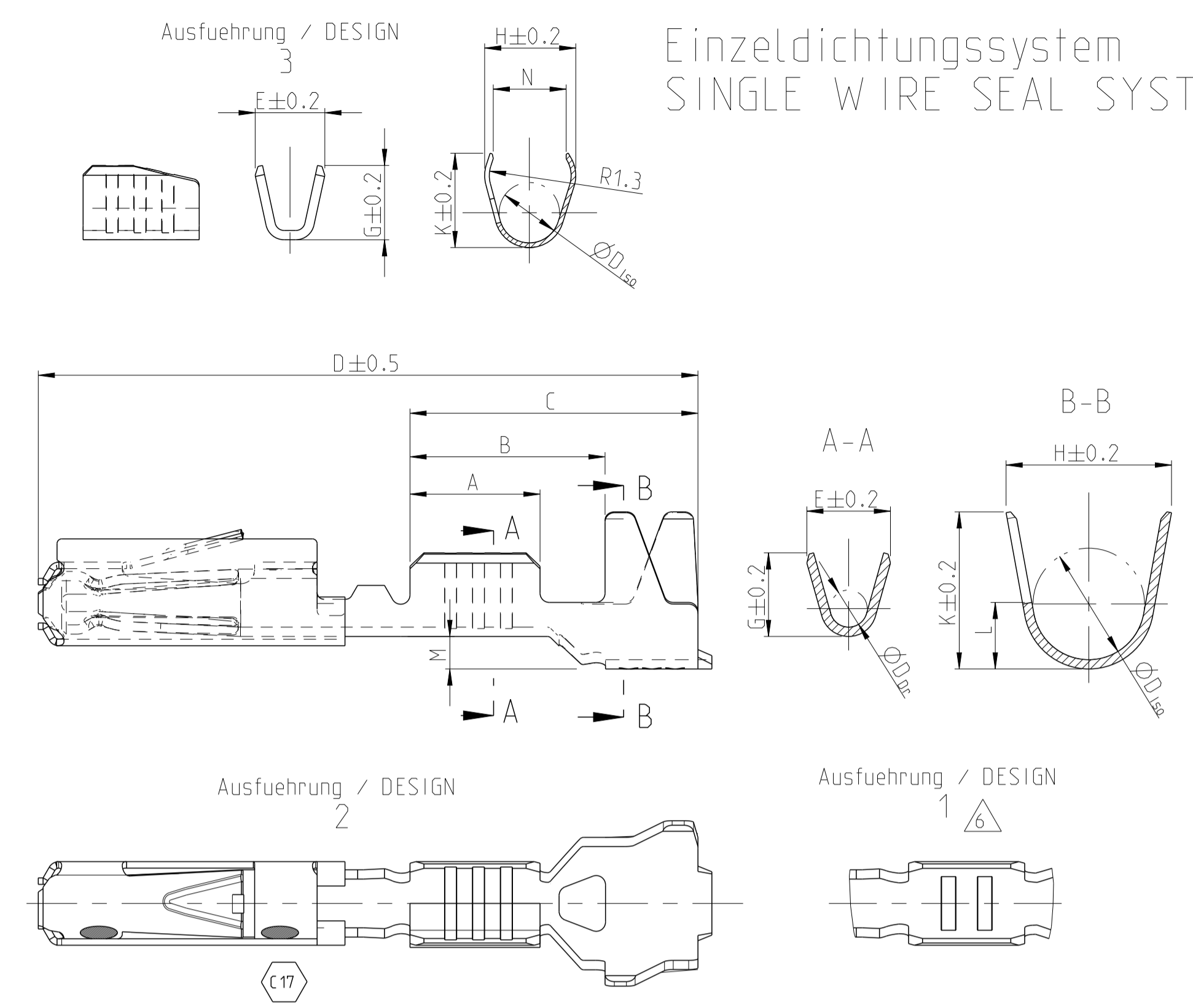
Normale Anwendung
 USUAL APPLICATION



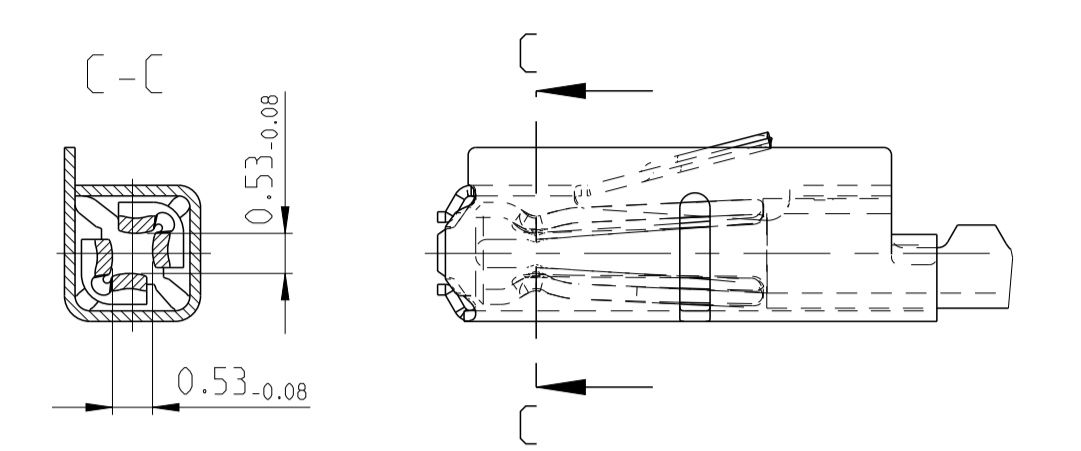
Oberflaeche / FINISH



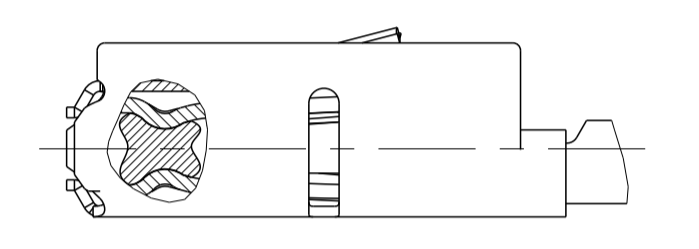
Einzeldichtungssystem
 SINGLE WIRE SEAL SYSTEM



vergoldete Ausfuehrung
 GOLD VERSION



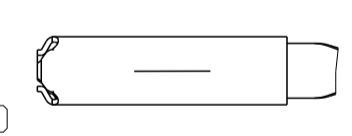
GEL VERSION



LOC	DIST	REVISIONS					
A1	-	P	LTH	DESCRIPTION	DATE	OWN	APVD
		C14		NOTE 8 ADDED. ECR-15-007039	06MAY2015	Abt	Brun
		C15		DIM. (h) ADDED. ECR-16-007815	31MAY2016	Abt	Brun
		C16		stamp code faded out	04AUG2016	MAH	BRUN
		C17		Date code removed. ECR-16-012067	23AUG2016	ABR	BRUN

Bemerkungen

- Datumscode (Woche/Jahr z.B. KW 38/Jahr2009) und TE-Revision (z.B. Rev.A) DATE CODE (WEEK/YEAR E.G. WEEK NUMBER 38/YEAR2009) AND TE REVISION (E.G. REV. A)
- Passend zu Stiftkontakt siehe Zeichnung 929453 SUITABLE FOR PIN CONTACT SEE DRAWING 929453
- Einzelheiten der Ausfuehrung bleiben dem Hersteller ueberlassen DETAILS OF DESIGN ARE LEFT TO MANUFACTURER
- Nur fuer FLR-Leitung nach DIN 72551 Teil 6 FOR FLR-CONDUCTOR ACCORDING TO DIN 72551-6 ONLY
- Fuer Ag Varianten sind keine Laboruntersuchungen verfuegbar deshalb sind diese PN 's nicht in der Produktspez. aufgefuehrt. FOR Ag VARIANTS TESTS ARE NOT AVAILABLE. Ag PN'S ARE NOT IN PRODUCTSPEC.
- nicht fuer Neuanwendung NOT FOR NEW APPLICATION
- zugestaerkte Leitung nach LV 112-4 REINFORCED WIRE ACCORDING LV 112-4
- Bei doppelt fallenden Werkzeugen wird die erste Ueberfeder mit einer Kennzeichnung "-" versehen WITH DOUBLE OUT DIES THE FIRST SPRING WILL BE PROVIDED WITH AN INDICATION "-"



6-965906-5	E	1-965906-5	D	Einzeldichtungssystem SINGLE WIRE SEAL SYSTEM	0.50-0.75	Au+Gel	A = 2.8	E = 2	H = 3.5	0.13	0.75	1.4-1.9	967067-1	963142-1	114-18025	967056-1	967056-1						
5-965906-6	D	965906-6	C				B = 4.2											G = 2.1	K = 3.4	blau / BLUE	schwarz BLACK		
5-965906-5	E	965906-5	D				C = 6.2											D _{Dr} = 1	L = 1.5			gelb YELLOW	grau GREY
5-965906-1	D	965906-1	C				D = 14.3											M = 0.7	D _{ISO} = 2.4				
5-962885-6	J	962885-6	H	A = 2.5	E = 1.8	H = 3.5	blau / BLUE	grau GREY															
5-962885-5	K	962885-5	J	B = 3.9	G = 1.8	K = 3.4			gelb YELLOW	grau GREY													
5-962885-1	J	962885-1	H	C = 5.9	D _{Dr} = 0.8	L = 1.5																	
2141826-6	A			D = 14	M = 0.7	D _{ISO} = 2.4	blau / BLUE	grau GREY															
2141826-5	A			A = 2.5	E = 1.5	H = 4			gelb YELLOW	grau GREY													
2141826-1	A			B = 4.3	G = 1.4	K = 4.1																	
6-963715-5	K	1-963715-5	J	C = 6.2	D _{Dr} = 1	L = 1.5	114-18021																
5-963715-6	J	963715-6	H	D = 13.7	M = 0.6	D _{ISO} = 2.6			0.50-0.75	0.11													
5-963715-5	K	963715-5	J	A = 2.8	E = 2	H = 2.7																	
5-963715-1	J	963715-1	H	B = 3.8	G = 2.1	K = 2.9	normale Anwendung USUAL APPLICATION	0.13 / 0.17															
6-928999-5	T	1-928999-5	S	C = 5.6	D _{Dr} = 0.8	L = 0.7			0.50-0.75	0.11													
5-928999-6	S	928999-6	R	D = 13.7	M = 0.2	D _{ISO} = 1.6																	
5-928999-5	T	928999-5	S	A = 2.5	E = 1.8	H = 2.3	0.25-0.35	0.11															
5-928999-1	S	928999-1	R	B = 3.6	G = 1.8	K = 2.3			0.13 / 0.17	0.1													
2141824-6	A			C = 5.6	D _{Dr} = 0.8	L = 0.6																	
2141824-5	A			D = 13.7	M = 0.2	D _{ISO} = 1.4	0.08-0.22	0.1															
2141824-1	A			A = 2.5	E = 1.5	H = 2			0.13 / 0.17	0.1													
1355717-5	C			B = 3.7	G = 1.4	K = 1.9																	
1355717-1	C			C = 5.4	D _{Dr} = 0.65	L = 1.1	0.08-0.22	0.1															
				D = 13.7	M = 0	D _{ISO} = 1.1			0.50-0.75	0.11													
				A = 2.8	E = 2	H = 2.7																	

Bestell-Nr. Ausfuehrung ORDER NO. DESIGN 2	Bestell-Nr. Ausfuehrung ORDER NO. DESIGN 3	Rev	Bestell-Nr. Ausfuehrung ORDER NO. DESIGN 1	Rev	VERSION	DGB Wire Size Range mm ²	Oberflaeche SURFACE	Laenge LENGTH mm	Drahtcrimp WIRE CRIMP mm	Iso-crimp INSU-CRIMP mm	Gewicht WEIGHT g	Verarbeitung Spez. APPLICATION SPEC.	DGB Wire Size Range mm ²	Isolations Ø INSULATION DIA. mm	fuer Kammer Ø3.45 FOR CAVITY DIA. 3.45 mm	Blindstopfen RUBBER PLUG	fuer Kammer Ø4 FOR CAVITY DIA. 4 mm	Blindstopfen RUBBER PLUG
					normale Anwendung USUAL APPLICATION													
zugehoerige Einzeldichtung / SUITABLE SINGLE WIRE SEAL																		

THIS DRAWING IS A CONTROLLED DOCUMENT. DIMENSIONS: mm. TOLERANCES UNLESS OTHERWISE SPECIFIED: ±0.2. MATERIAL: -. FINISH: -. DWG: S.Garcia 05JAN1999. CHK: R.Jetter 05JAN1999. APVD: M.Bleicher 13AUG2003. NAME: MQS. PRODUCT SPEC: 108-18030. APPLICATION SPEC: 114-18021 / 114-18025. WEIGHT: -. SIZE: A1. CAGE CODE: 00779. DRAWING NO: 929454. SHEET: 1 OF 1. SCALE: 10:1. RESTRICTED TO: Customer Drawing.

TE Connectivity

